



The Ultimate in Fall Protection

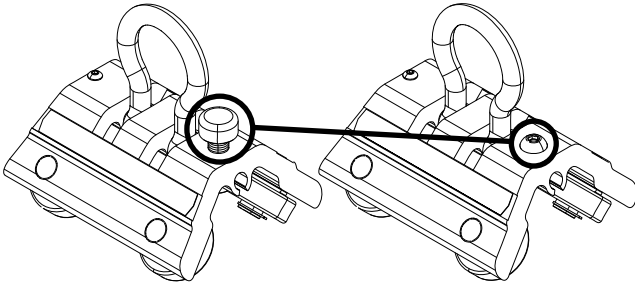


### Carriage Thumbscrew Replacement Kit

Kit Number: 3601502

## INSTALLATION INSTRUCTIONS

### 3601502 - Thumbscrew Replacement Kit



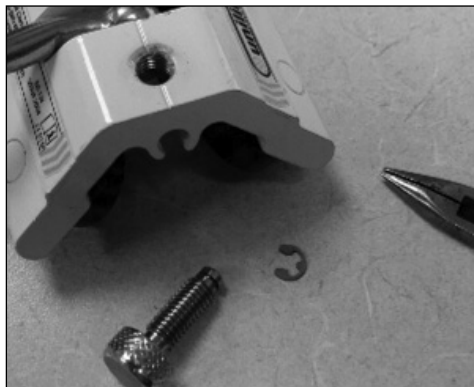
	<b>3601502</b>	9511822	Screw, HSBH, M8 x 16 SS, Nylok
		9512748	Wrench, Hex, M5
		5903817	Instruction, UniRail Thumbscrew Replacement

The 3601502 Thumbscrew Replacement Kit is a field replacement for the Thumbscrew and Retainer Clip on the UniRail Carriage. To replace the Carriage Thumbscrew:

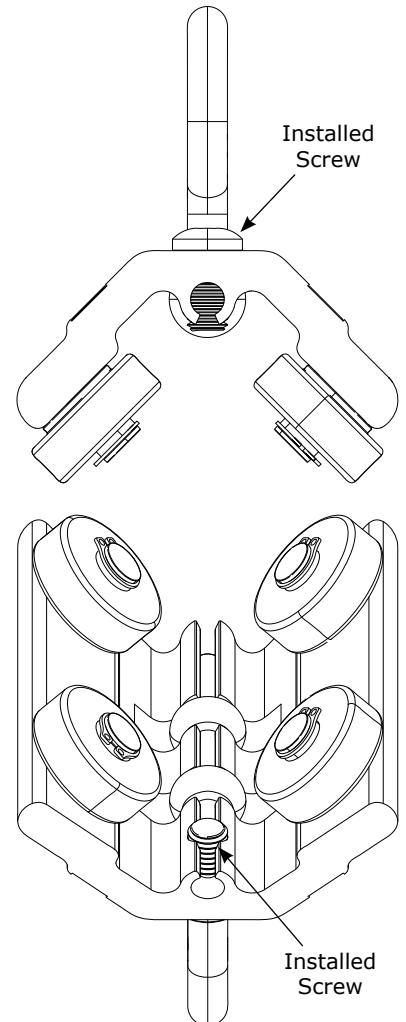
1. If present, remove the Retainer Clip from the bottom end of the Thumbscrew with a small pliers.



2. Unscrew the Thumbscrew from the UniRail Carriage.



3. Screw the included Hex Screw into the UniRail Carriage. Fully tighten the Hex Screw with the provided Hex Wrench.





Global Leader in Fall Protection

**USA**

3833 SALA Way  
Red Wing, MN 55066-5005  
Toll Free: 800.328.6146  
Phone: 651.388.8282  
Fax: 651.388.5065  
solutions@capitalsafety.com

**Brazil**

Rua Anne Frank, 2621  
Boqueirão Curitiba PR  
81650-020  
Brazil  
Phone: 0800-942-2300  
brasil@capitalsafety.com

**Mexico**

Calle Norte 35, 895-E  
Col. Industrial Vallejo  
C.P. 02300 Azcapotzalco  
Mexico D.F.  
Phone: (55) 57194820  
mexico@capitalsafety.com

**Colombia**

Compañía Latinoamericana de Seguridad S.A.S.  
Carrera 106 #15-25 Interior 105 Manzana 15  
Zona Franca - Bogotá, Colombia  
Phone: 57 1 6014777  
servicioalcliente@capitalsafety.com

**Canada**

260 Export Boulevard  
Mississauga, ON L5S 1Y9  
Phone: 905.795.9333  
Toll-Free: 800.387.7484  
Fax: 888.387.7484  
info.ca@capitalsafety.com

**EMEA (Europe, Middle East, Africa)**

*EMEA Headquarters:*  
5a Merse Road  
North Moons Moat  
Redditch, Worcestershire  
B98 9HL UK  
Phone: + 44 (0)1527 548 000  
Fax: + 44 (0)1527 591 000  
csgne@capitalsafety.com

*France:*

Le Broc Center  
Z.I. 1re Avenue - BP15  
06511 Carros Le Broc Cedex  
France  
Phone: + 33 04 97 10 00 10  
Fax: + 33 04 93 08 79 70  
information@capitalsafety.com

**Australia & New Zealand**

95 Derby Street  
Silverwater  
Sydney NSW 2128  
Australia  
Phone: +(61) 2 8753 7600  
Toll-Free : 1800 245 002 (AUS)  
Toll-Free : 0800 212 505 (NZ)  
Fax: +(61) 2 8753 7603  
sales@capitalsafety.com.au

**Asia**

*Singapore:*

69, Ubi Road 1, #05-20  
Oxley Bizhub  
Singapore 408731  
Phone: +65 - 65587758  
Fax: +65 - 65587058  
inquiry@capitalsafety.com

*Shanghai:*

Rm 1406, China Venturetech Plaza  
819 Nan Jing Xi Rd,  
Shanghai 200041, P R China  
Phone: +86 21 62539050  
Fax: +86 21 62539060  
inquiry@capitalsafety.cn

[www.capitalsafety.com](http://www.capitalsafety.com)

