



Fall Protection

Snap into work mode

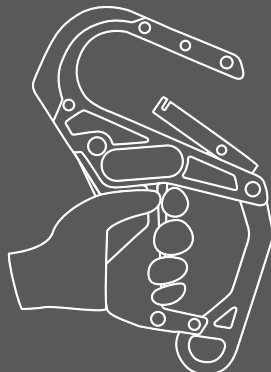
3M™ Comfort Grip Connector

Built for those who work relentlessly

3M™ DBI-SALA® Comfort Grip Connector



**Traditional
snap hook**



**Comfort Grip
Connector**

► Versatility starts here

Protect your hands and connect easier with the newly designed 3M™ DBI-SALA® Comfort Grip Connector.

The new design positions the fingers so the gate is completely open.

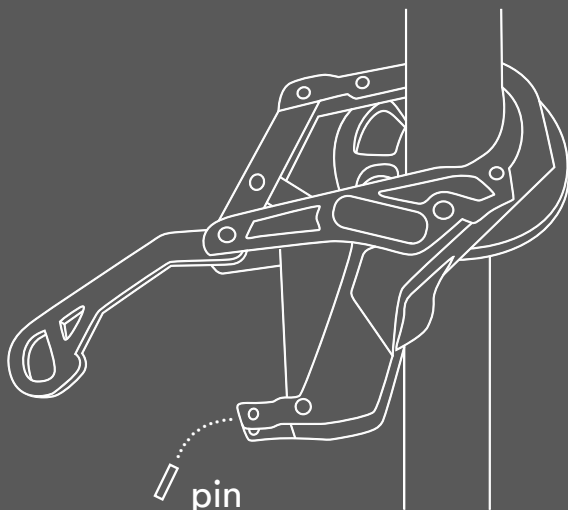
► Freedom at heights

2267 kg (5000 lbs) Tensile strength

1632 kg (3600 lbs) Gate strength

1632 kg (3600 lbs) Transverse strength

Connect to a variety of anchorage points easily and effectively. This hook is designed and certified to arrest a fall when loaded in multiple orientations. Certified to meet CSA standard Z259.12 for transverse loading.

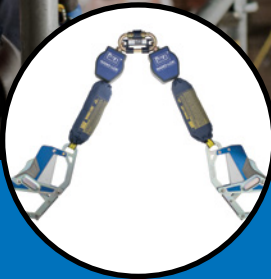


► Designed to self-align

When connected in a transverse application, the hand-guard pin will shear in the event of a fall to allow the connector to align with the direction of the fall and remain securely anchored.



Compatible with
3M™ DBI-SALA®
EZ-Stop™ Lanyard
Part No. 1246415



Compatible with
3M™ DBI-SALA®
Nano-Lok™ Personal SRL
Part No. 3101668



Compatible with
3M™ DBI-SALA® Nano-Lok™
Edge Personal SRL
Part No. 3500259

Keep up with any job

The 3M™ DBI-SALA® Comfort Grip Connector was designed for workers who need the flexibility to anchor efficiently and comfortably in multiple orientations.

Whether you are using a snaphook 10 times or 1000 times per day, the 3M™ DBI-SALA® Comfort Grip Connector will help make your job easier.

Snap into work mode.

Feature	Comfort Grip
Standards	CSA Z259.12
Side load requirement	Yes
Compatible with most scaffold rosettes	Yes
Materials	Aircraft-grade aluminum Alloy steel Nylon Stainless steel
Tensile strength	2267 kg (5000 lbs)
Gate strength	1632 kg (3600 lbs)
Transverse strength	1632 kg (3600 lbs)
Gate opening	5.7 cm (2.25")
Usable gate opening	5.7 cm (2.25")



3M Canada Fall Protection

260 Export Blvd.
Mississauga, ON L5S 1Y9
1-800-387-7484
Web 3M.ca/FallProtection

3M, Nano-Lok, EZ-Stop and DBI-Sala are trademarks of 3M.
Used under license in Canada. © 2017, 3M. All rights reserved.
BA-17-24304 170709308 E

