



REBEL™ Rebel Retrieval SRL-R Tripod Mounting Base and Bracket Installation Instructions



This bracket is compliant with EN 1496:2006 - Class B when used with Rebel SRL-R 3591002 or 3591003.

CE Type Test

BSI (0086)
Kitemark Court
Davy Ave, Knowlhill
Milton Keynes
MK5 8PP, UK

CE Production Quality Control

BSI (0086)
Kitemark Court
Davy Ave, Knowlhill
Milton Keynes
MK5 8PP, UK

WARNING: This product is part of a Personal Fall Arrest System¹. The user must read and follow the manufacturer's instructions for each component or part of the complete system. These instructions must be provided to the user of this equipment. The user must read and understand these instructions or have them explained to them before using this equipment. Manufacturer's instructions must be followed for proper use and maintenance of this product. Alterations or misuse of this product or failure to follow instructions may result in serious injury or death.

IMPORTANT: If you have questions on the use, care, or suitability of this equipment for your application, contact Capital Safety.

DESCRIPTION

The Rebel Retrieval Mounting Bracket is designed to be installed on the Protecta AK105A / AM100 Tripod. The Bracket is used to mount a Rebel Retrieval SRL-R (See Rebel Retrieval SRL-R instruction 5903600). The Protecta Tripod and Rebel Retrieval SRL-R are purchased separately.

APPLICATIONS

Self Retracting Lifelines (SRLs) are used as a component in a Personal Fall Arrest System (PFAS) where a combination of worker mobility and fall protection is required (i.e., inspection work, general construction, maintenance work, oil production, confined space work, etc.).

TRAINING

This equipment is intended to be used by persons trained in its correct application and use. It is the responsibility of the user to assure they are familiar with these instructions and are trained in the correct care and use of this equipment. Users must also be aware of the operating characteristics, application limits, and the consequences of improper use.

STANDARDS

Refer to local, state, and federal (OSHA) requirements governing occupational safety for additional information regarding Personal Fall Arrest Systems.

LIMITATIONS & REQUIREMENTS

Before installing and using the Rebel Retrieval SRL-R on the Rebel Retrieval Mounting Bracket, always consider the "Limitations & Requirements" specified in the Rebel Retrieval SRL-R User Instructions and the Protecta Tripod User Instructions or DBI-SALA Tripod User Instructions.

¹ PERSONAL FALL ARREST SYSTEM: An assembly of components and subsystems used to arrest a person in a free fall.

COMPATIBILITY

System Compatibility: The Protecta Rebel Retrieval SRL-R Bracket is designed for use with Protecta approved components and subsystems only. It should only be used with the Protecta or DBI-SALA Tripod and the Rebel Retrieval SRL-R. Substitutions or replacements made with unauthorized components or subsystems may jeopardize compatibility of equipment and may affect the safety and reliability of the complete system.

	Mounting Base	Mounting Bracket	Combination
CE	-----	-----	3590498
ANSI	8008005	3590497	3590498
CSA	8008005	3590497	3590498

INSTALLATION

Plan your fall protection system before starting your work. Account for all factors that may affect your safety before, during, and after a fall. Consider all "Limitations and Requirements" defined in the Rebel Cable Series SRL User Instructions.

Install Bracket Assembly and Mount Rebel Retrieval SRL-R on Protecta Tripod:

Figure 1

If Mounting Base has not been installed on your Protecta Tripod, proceed to Figure 2.

If Mounting Base has been installed on your Protecta Tripod, proceed to Figure 3.

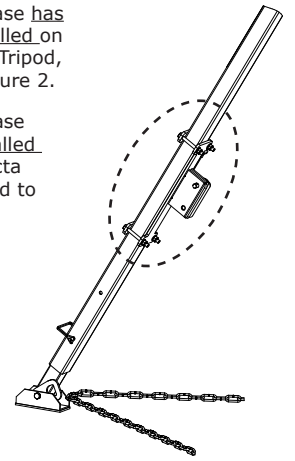


Figure 2 - Install Mounting Base on Protecta Tripod

Position Mounting Base at desired location on Tripod leg as shown. Tighten bolts to 15 foot lbs.

Do not overtighten. Do not install Mating Bracket on lower (telescoping) portion of Tripod leg. See Tripod Instruction for identification of Tripod components.

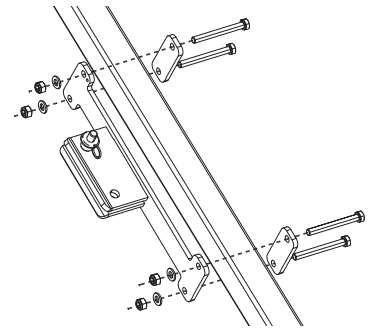


Figure 3 - Install Mounting Bracket on SRL

Attach the Mounting Bracket to the Rebel Retrieval SRL-R by inserting three bolts through the Bracket and into the SRL housing. Ensure threaded holes are clear of any debris. Tighten bolts to 15 foot lbs.

Proceed to Figure 4.

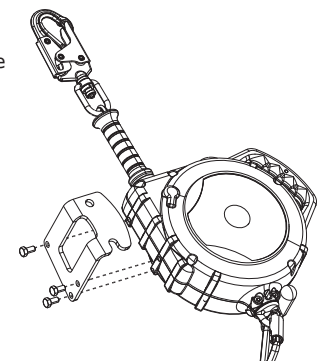
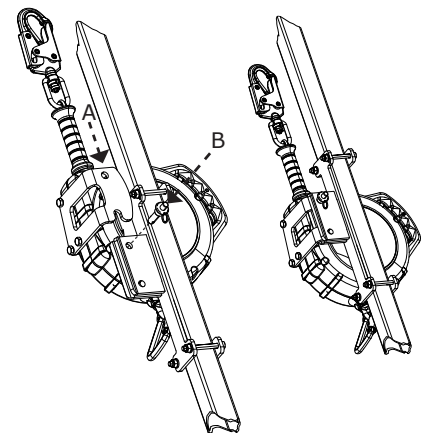


Figure 4 - Mount SRL on Protecta Tripod Mating Bracket

Position the SRL with Mounting Bracket onto the Mounting Base that was installed on the Protecta Tripod. The slot in the end of the Mounting Bracket on the SRL slides onto the Mounting Base on the Tripod (A). (Reposition the Tripod Mounting Base as required for proper SRL operating height.)

With the Mounting Bracket resting on the pin, pivot the top of the SRL inward to align the holes in the Brackets. Press in the button on the end of the detent pin (B) and slide the pin in fully to secure the SRL to the Tripod.

Extend SRL cable up and over the Tripod Pulley by following the Protecta Tripod User Instructions.

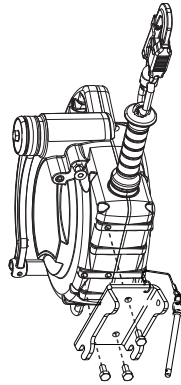


Install Mounting Bracket on Rebel Retrieval SRL-R for use on DBI-SALA CE Tripods KM1PT7 and KM1PT9:

Figure 5 - Install Mounting Bracket 3590499 on SRL

Attach Mounting Bracket 3590499 to the Rebel Retrieval SRL-R by inserting three bolts through the Bracket and into the SRL housing. Tighten bolts to 15 foot lbs.

See User Instruction for SRL cable routing instructions.



LIMITED LIFETIME WARRANTY

Warranty to End User: D B Industries, Inc., dba CAPITAL SAFETY USA ("CAPITAL SAFETY") warrants to the original end user ("End User") that its products are free from defects in materials and workmanship under normal use and service. This warranty extends for the lifetime of the product from the date the product is purchased by the End User, in new and unused condition, from a CAPITAL SAFETY authorized distributor. CAPITAL SAFETY'S entire liability to End User and End User's exclusive remedy under this warranty is limited to the repair or replacement in kind of any defective product within its lifetime (as CAPITAL SAFETY in its sole discretion determines and deems appropriate). No oral or written information or advice given by CAPITAL SAFETY, its distributors, directors, officers, agents or employees shall create any different or additional warranties or in any way increase the scope of this warranty. CAPITAL SAFETY will not accept liability for defects that are the result of product abuse, misuse, alteration or modification, or for defects that are due to a failure to install, maintain, or use the product in accordance with the manufacturer's instructions.

CAPITAL SAFETY'S WARRANTY APPLIES ONLY TO THE END USER. THIS WARRANTY IS THE ONLY WARRANTY APPLICABLE TO OUR PRODUCTS AND IS IN LIEU OF ALL OTHER WARRANTIES AND LIABILITIES, EXPRESSED OR IMPLIED. CAPITAL SAFETY EXPRESSLY EXCLUDES AND DISCLAIMS ANY IMPLIED WARRANTIES OF MERCHANTABILITY OR FITNESS FOR A PARTICULAR PURPOSE, AND SHALL NOT BE LIABLE FOR INCIDENTAL, PUNITIVE OR CONSEQUENTIAL DAMAGES OF ANY NATURE, INCLUDING WITHOUT LIMITATION, LOST PROFITS, REVENUES, OR PRODUCTIVITY, OR FOR BODILY INJURY OR DEATH OR LOSS OR DAMAGE TO PROPERTY, UNDER ANY THEORY OF LIABILITY, INCLUDING WITHOUT LIMITATION, CONTRACT, WARRANTY, STRICT LIABILITY, TORT (INCLUDING NEGLIGENCE) OR OTHER LEGAL OR EQUITABLE THEORY.



Trusted Quality Fall Protection

CSG USA & Latin America

3833 SALA Way
Red Wing, MN 55066-5005
Toll Free: 800.328.6146
Phone: 651.388.8282
Fax: 651.388.5065
solutions@capitalsafety.com

CSG Canada

260 Export Boulevard
Mississauga, ON L5S 1Y9
Phone: 905.795.9333
Toll-Free: 800.387.7484
Fax: 888.387.7484
info.ca@capitalsafety.com

CSG Northern Europe

5a Merse Road
North Moons, Moat
Reditch, Worcestershire, UK
B98 9HL
Phone: + 44 (0)1527 548 000
Fax: + 44 (0)1527 591 000
csgne@capitalsafety.com

CSG EMEA (Europe, Middle East, Africa)

Le Broc Center
Z.I. 1ère Avenue
5600 M B.P. 15 06511
Carros
Le Broc Cedex
France
Phone: + 33 4 97 10 00 10
Fax: + 33 4 93 08 79 70
information@capitalsafety.com

CSG Australia & New Zealand

95 Derby Street
Silverwater
Sydney NSW 2128
AUSTRALIA
Phone: +(61) 2 8753 7600
Toll-Free : 1 800 245 002 (AUS)
Toll-Free : 0800 212 505 (NZ)
Fax: +(61) 2 87853 7603
sales@capitalsafety.com.au

CSG Asia

Singapore:
16S, Enterprise Road
Singapore 627666
Phone: +65 - 65587758
Fax: +65 - 65587058
inquiry@capitalsafety.com

Shanghai:

Rm 1406, China Venturetech Plaza
819 Nan Jing Xi Rd,
Shanghai 200041, P R China
Phone: +86 21 62539050
Fax: +86 21 62539060

www.capitalsafety.com

