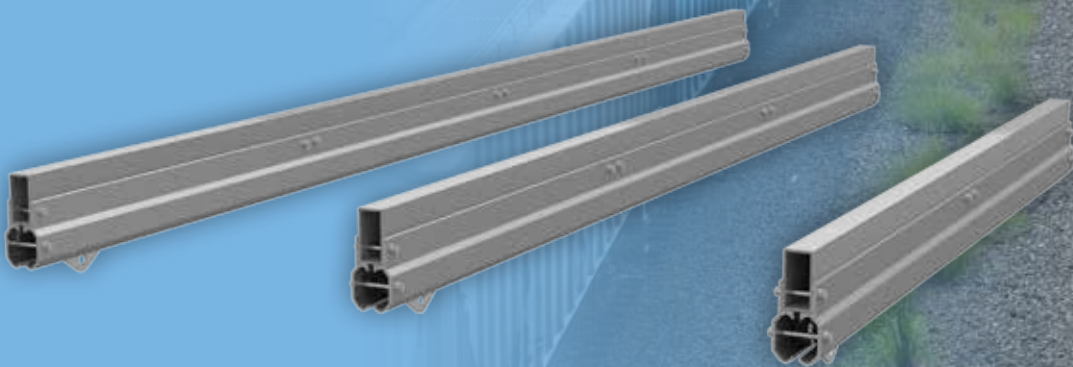


GLYDE-SAF™



**MODULAR.  
COST EFFECTIVE.  
LONG SPAN  
HORIZONTAL LIFELINE  
RAIL SOLUTION.**



THE ULTIMATE IN FALL PROTECTION



## PRODUCT OVERVIEW

**Glyde-Saf™ Rail is the ultimate in overhead fall protection on the market. The unique enclosed overhead track system is capable of unlimited runs and can span up to 6 m between supports. It enables smooth and uninterrupted travel for up to 4 users while working at heights.**

This rigid rail system can be installed both indoors and outdoors. Typical applications would be in aircraft hangers, vehicle maintenance depots, manufacturing facilities, warehousing and clean rooms.

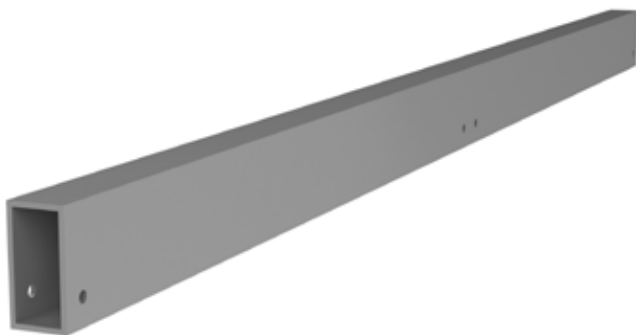
- Modular construction using standard rail lengths (1 - 7 m) makes the rail suit almost every application
- A range of mounting brackets to suit typical indoor and outdoor applications
- Clamp on brackets allow installation to be carried out without drilling into the existing structure
- Longer spans of up to 6 m reduce both system cost and installation cost
- Compliant to CEN/TS 16415 & EN 795:2012 Type D for a maximum of 4 users in fall arrest
- Suitable for 2 users per 6 m span for suspended access
- Aluminium alloy extrusions and stainless steel fasteners make this a lightweight, corrosive resistant product
- Enclosed aluminium profile and nylon wheel provide clean, smooth travel on the system
- Custom lengths and finishes available on request



### TRAVELLER

8521711

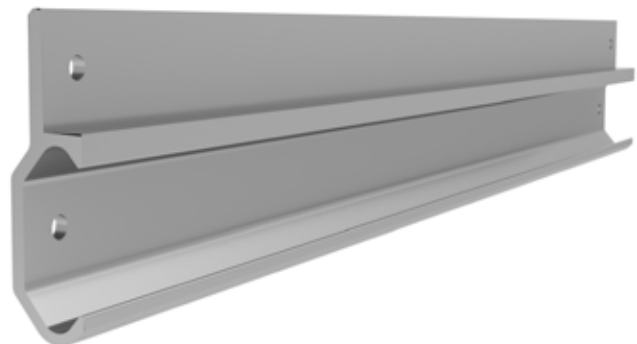
- Stainless steel body
- Hard wearing nylon wheels for smooth travel



### GLYDE-SAF™ BACKBONE

7241493 – 7241498

- 6000 Series Aluminium Alloy
- Adds structural stiffness to the rail
- Available in 2 - 7 m lengths



### GLYDE-SAF™ SIDE RAILS

7241486 – 7241492

- 6000 Series Aluminium Alloy
- Provides the enclosed section for the traveller
- Available in 1 - 7m lengths



**GLYDE-SAF™ STANDARD  
GALVANISED STEEL BRACKET**

7241502

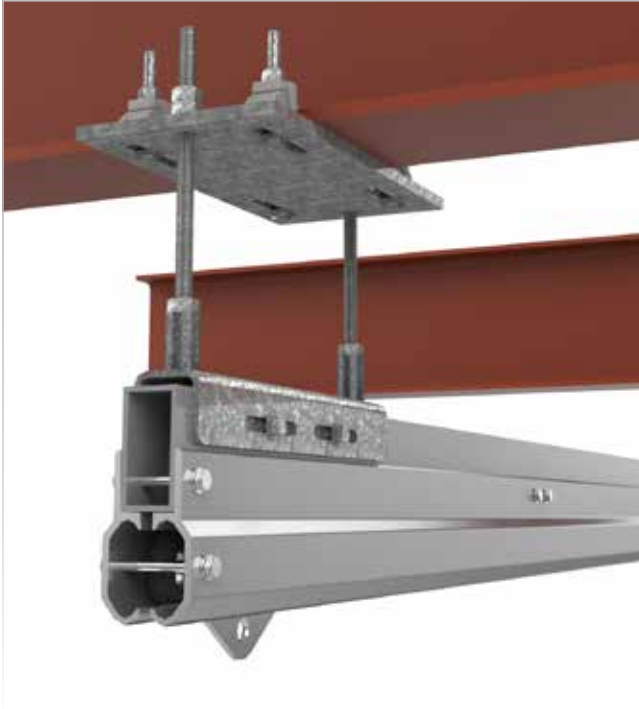
- Cost effective solution for a typical indoor / outdoor application
- Good corrosion resistance



**GLYDE-SAF™ STANDARD  
STAINLESS STEEL BRACKET**

7241503

- For applications where corrosion resistance or cleanliness are a priority



**GLYDE-SAF™ UNIVERSAL  
I-BEAM GALVANISED CLAMP**

7241501

- Clamp on solution for running perpendicular to the steel structure
- Clamp fits to 3 - 12 mm thick steel beams
- Min. clamp width 150 mm
- Max. clamp width 300 mm



**GLYDE-SAF™ UNIVERSAL  
I-BEAM PARALLEL GALVANISED CLAMP**

7241504

- Clamp on solution for running parallel to the steel structure
- Clamp fits to 3 - 12 mm thick steel beams
- Min. clamp width 150 mm
- Max. clamp width 250 mm

## GLOBAL LEADER IN FALL PROTECTION

### Capital Safety is the Global leader in fall protection equipment, systems and anchors.

Capital Safety est le leader mondial en matière d'équipement, de systèmes et d'ancrages de protections antichute.

Capital Safety ist weltweit führend auf dem Gebiet von Absturzsicherungs-ausrüstung, -systemen und Anschlagmöglichkeiten.

Capital Safety es el líder mundial en equipos, sistemas y anclajes de protección contra caídas.

Capital Safety is wereldleider in valbeveiligingsapparatuur, -systemen en verankeringen.

Capital Safety è leader globale nell'anticaduta per dispositivi di protezione individuale, sistemi e ancoraggi.

Capital Safety är globala inom utrustning, system och förankringar för fallskydd.

### EUROPE, MIDDLE EAST & AFRICA

#### UK

5a Merse Road, North Moons Moat  
Redditch, B98 9HL, UK  
t: +44 (0) 1527 548 000  
f: +44 (0) 1527 591 000

#### FRANCE

Le Broc Center, Bâtiment A  
Z.1. 1re Avenue – BP15  
06511 Carros Le Broc, Cedex, FRANCE  
t: +33 (0) 4 97 10 00 10  
f: +33 (0) 4 93 08 79 70

#### GERMANY

Hagener Straße 44  
57489 Drolshagen, GERMANY  
t: +49 (0) 2 76 18 33 82 29  
f: +49 (0) 2 76 18 33 81 93

#### DUBAI

ME Branch Office, PO Box 17769  
JAZFA, DUBAI – UAE  
t: +971 (4) 88 11 4 66  
f: +971 (4) 88 11 4 67

All rights reserved. The material contained herein is copyrighted; no part of this publication may be reproduced, stored in a retrieval system, or transmitted, in any form or by any means, electronic, mechanical, photocopying, recording or otherwise without prior written permission from Capital Safety.

### CUSTOMER SERVICES

 00 800 999 55500

 [information@capitalsafety.com](mailto:information@capitalsafety.com)

 [capitalsafety.com](http://capitalsafety.com)



 @CapitalSafetyUK  
 [facebook.com/CapitalSafety](https://facebook.com/CapitalSafety)  
 [youtube.com/CapitalSafetyEMEA](https://youtube.com/CapitalSafetyEMEA)