



The Ultimate in Fall Protection

Instructions for the following series products:

Concrete Detent Anchorage Connector

Model Numbers: 2101000, 2101002, 2101004, 2101000C, 2101002C, 2101004C, 2100152

**USER INSTRUCTION MANUAL
CONCRETE DETENT ANCHORAGE CONNECTOR**

This manual is intended to meet the Manufacturer's Instructions as required by ANSI Z359.1 and should be used as part of an employee training program as required by OSHA.

WARNING: This product is part of a personal fall arrest, restraint, work positioning, personnel riding, or rescue system. The user must follow the manufacturer's instructions for each component of the system. These instructions must be provided to the user of this equipment. The user must read and understand these instructions before using this equipment. Manufacturer's instructions must be followed for proper use and maintenance of this equipment. Alterations or misuse of this equipment, or failure to follow these instructions, may result in serious injury or death.

IMPORTANT: If you have questions on the use, care, or suitability of this equipment for your application, contact Capital Safety.

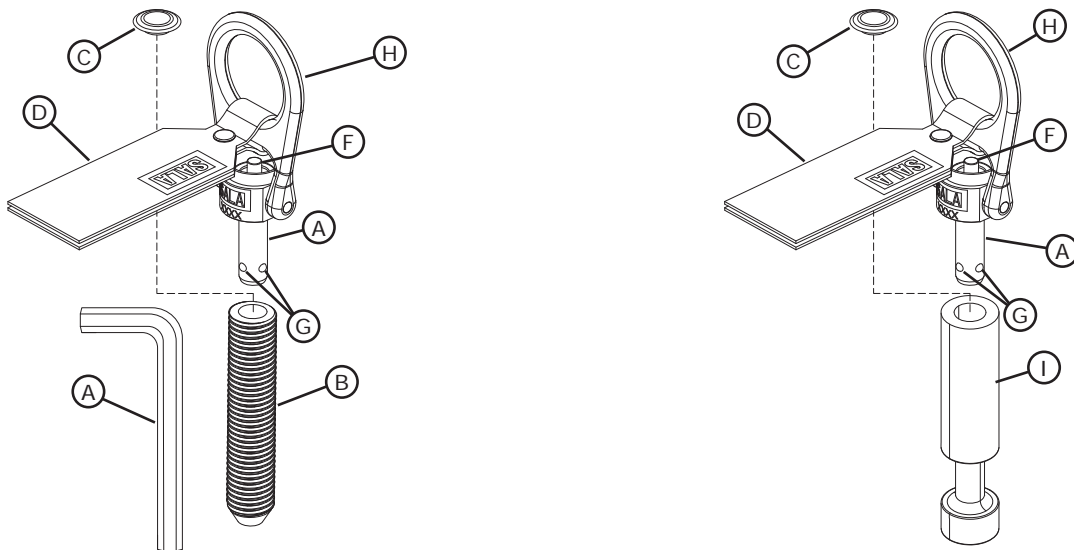
IMPORTANT: Record the product identification information from the ID label in the inspection and maintenance log in Section 9 of this manual.

DESCRIPTION:

Concrete Detent Anchorage Connector: Detent Pin Anchorage Connection System (see Figure 1). Available in the following configurations:

- 2101000/2101000C - Stainless Steel Adhesive Mount Anchor Socket
- 2101002/2101002C - Stainless Steel Detent Pin
- 2101004/2101004C - Stainless Steel Detent Pin and Stainless Steel Anchor Socket
- 2100152 - Stainless Steel, Pour-in-Place Anchor Socket

Figure 1 - Concrete Detent Anchorage Connector

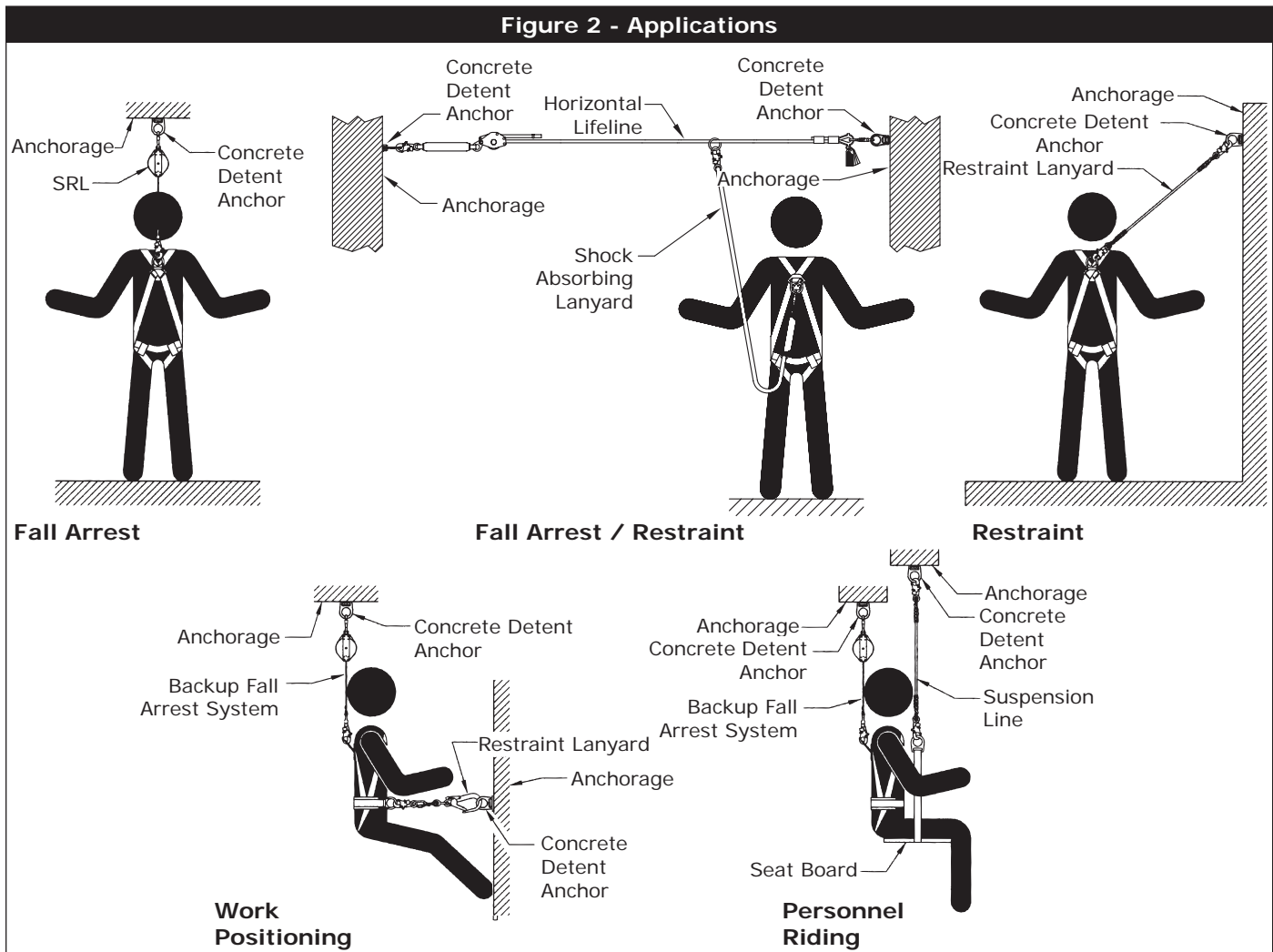


A	Detent Pin	F	Detent Button
B	Anchor Socket, Adhesive Mount	G	Detent Balls
C	Detent Pin Cap	H	Detent Ring
D	ID & Instruction Label	I	Anchor Socket, Pour-in-Place
E	M6 Allen Wrench		

1.0 APPLICATIONS

1.1 PURPOSE: The Concrete Detent Anchorage Connector is designed for use as an anchorage attachment point for a personal fall arrest system, work positioning system, personnel riding system, or rescue system. Two Concrete Detent Anchors may be used as anchorage connectors for a DBI-SALA Sayline™ Horizontal Lifeline System (1 person capacity). See Figure 2 for illustration of the following product applications:

- A. PERSONAL FALL ARREST:** The Detent Anchor is used as a component of a personal fall arrest system to protect the user in the event of a fall. Personal fall arrest systems typically include a full body harness and a connecting subsystem (energy absorbing lanyard). Maximum permissible free fall is 6 feet.
- B. RESTRAINT:** The Detent Anchor is used as a component of a restraint system to prevent the user from reaching a fall hazard. Restraint systems typically include a full body harness and a lanyard or restraint line. No vertical free fall is permitted.
- C. WORK POSITIONING:** The Detent Anchor is used as a component of a work positioning system to support the user at a work position. Work positioning systems typically include a full body harness, positioning lanyard, and a back-up personal fall arrest system. Maximum permissible free fall is 2 feet.
- D. PERSONNEL RIDING:** The Detent Anchor is used as a component of a personnel riding system to suspend or transport the user vertically. Personnel riding systems typically include a full body harness, boatswain's chair or seat board, and a back-up personal fall arrest system. No vertical free fall is permitted.
- E. RESCUE:** The Detent Anchor is used as a component of a rescue system. Rescue systems are configured depending on the type of rescue. No vertical free fall is permitted.



1.2 LIMITATIONS: The following application limitations must be recognized and considered before using this product:

- A. CAPACITY:** The Concrete Detent Anchor is designed for use by persons with a combined weight (clothing, tools, etc.) of no more than 310 lbs (140.61 kg). No more than one personal protective system may be connected at one time.

NOTE: For emergency rescues it may be acceptable to connect more than one system if the anchorage will support the anticipated loads.

- B. FREE FALL:** Per ANSI Z359.1, personal fall arrest systems used with this equipment must be rigged to limit the free fall to 6 feet (1.83 m). See the personal fall arrest system manufacturer's instructions for more information. Restraint systems must be rigged so that no vertical free fall is possible. Work positioning systems must be rigged so that free fall is limited to 2 feet (0.61 m) or less. Personnel riding systems must be rigged so that no vertical free fall is possible. Rescue systems must be rigged so that no vertical free fall is possible.

- C. FALL CLEARANCE:** There must be sufficient clearance below the user to arrest a fall before the user strikes the ground or other obstruction. The clearance required is dependent on the following factors:

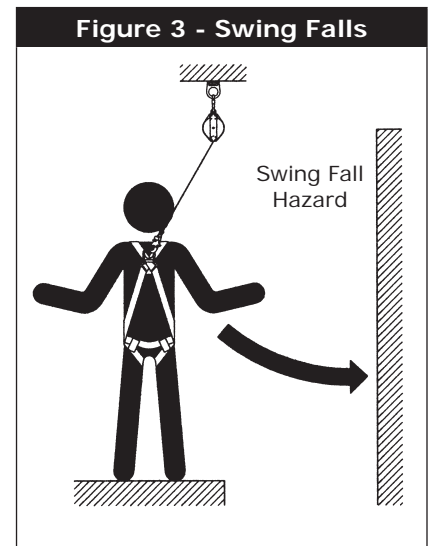
- Deceleration Distance
- Movement of Harness Attachment Element
- Free Fall Distance
- Elevation of D-Ring Anchorage Connector
- Worker Height
- Connecting Subsystem Length

See the personal fall arrest system manufacturer's instructions for more information.

- D. SWING FALLS:** Swing falls occur when the anchorage point is not directly above the point where a fall occurs. See Figure 3. The force of striking an object in a swing fall may cause serious injury or death. Minimize swing falls by working as close to the anchorage point as possible. Do not permit a swing fall if injury could occur. Swing falls will significantly increase the clearance required when a self retracting lifeline or other variable length connecting subsystem is used.

- E. ENVIRONMENTAL HAZARDS:** Use of this equipment in areas with environmental hazards may require additional precautions to prevent injury to the user or damage to the equipment. Hazards may include, but are not limited to: heat, chemicals, corrosive environments, high voltage power lines, gases, moving machinery, and sharp edges. Contact DBI-SALA if you have questions about using this equipment where environmental hazards exist.

- F. TRAINING:** This equipment must be installed and used by persons trained in its correct application and use. See section 4.0.



- 1.3 APPLICABLE STANDARDS:** Refer to national standards including; ANSI Z359 (.0, .1, .2, .3, and .4) fall protection standards, ANSI A10.32, and local, state, and federal (OSHA) requirements governing occupational safety for additional information regarding personal fall arrest systems and associated components.

2.0 SYSTEM REQUIREMENTS

2.1 COMPATIBILITY OF COMPONENTS: DBI-SALA equipment is designed for use with DBI-SALA approved components and subsystems only. Substitutions or replacements made with non-approved components or subsystems may jeopardize compatibility of equipment and may effect the safety and reliability of the complete system.

2.2 COMPATIBILITY OF CONNECTORS: Connectors are considered to be compatible with connecting elements when they have been designed to work together in such a way that their sizes and shapes do not cause their gate mechanisms to inadvertently open regardless of how they become oriented. Connectors (hooks, carabiners, and D-rings) must be capable of supporting at least 5,000 lbs. (22 kN). Connectors must be compatible with the anchorage or other system components. See Section 3.8 for additional information on anchorage connections. Do not use equipment that is not compatible. Non-compatible connectors may unintentionally disengage (see Figure 4). Connectors must be compatible in size, shape, and strength. Self-locking snap hooks and carabiners are required by ANSI Z359.1 and OSHA.

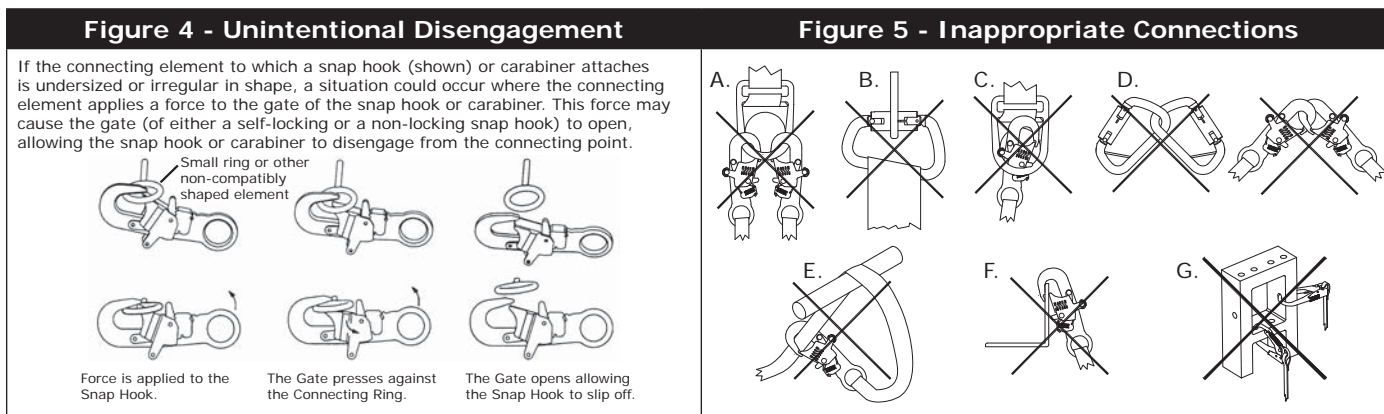
2.3 MAKING CONNECTIONS: Use only self-locking snap hooks and carabiners with this equipment. Only use connectors that are suitable to each application. Ensure all connections are compatible in size, shape and strength. Do not use equipment that is not compatible. Ensure all connectors are fully closed and locked.

DBI-SALA connectors (snap hooks and carabiners) are designed to be used only as specified in each product's user's instructions. See Figure 5 for inappropriate connections. DBI-SALA snap hooks and carabiners should not be connected:

- A. To a D-ring to which another connector is attached.
- B. In a manner that would result in a load on the gate.

NOTE: Large throat opening snap hooks should not be connected to standard size D-rings or similar objects which will result in a load on the gate if the hook or D-ring twists or rotates. Large throat snap hooks are designed for use on fixed structural elements such as rebar or cross members that are not shaped in a way that can capture the gate of the hook.

- C. In a false ring engagement, where features that protrude from the snap hook or carabiner catch on the anchor and without visual confirmation seems to be fully engaged to the anchor point.
- D. To each other.
- E. Directly to webbing or rope lanyard or tie-back (unless the manufacturer's instructions for both the lanyard and connector specifically allow such a connection).
- F. To any object which is shaped or dimensioned such that the snap hook or carabiner will not close and lock, or that roll-out could occur.
- G. In a manner that does not allow the connector to align properly while under load.



2.4 PERSONAL FALL ARREST SYSTEM: Personal fall arrest systems used with this equipment must meet applicable state, federal, OSHA, and ANSI requirements. A full body harness must be worn when this equipment is used as a component of a personal fall arrest system. As required by OSHA, the personal fall arrest system must be capable of arresting the user's fall with a maximum arresting force of 1,800 lbs. (816.47 kg), and limit the free fall to 6 feet (1.83 m) or less. If the maximum free fall distance must be exceeded, the employer must document, based on test data, that the maximum arresting force will not be exceeded, and the personal fall arrest system will function properly.

When a free fall greater than 6 feet (1.83 m), and up to a maximum of 12 feet (3.66 m) is possible, DBI-SALA recommends using a personal fall arrest system incorporating a DBI-SALA Force2 Energy Absorbing Lanyard. DBI-SALA has performed testing using the Force2 Energy Absorbing Lanyard in free falls up to 12 feet (3.66 m) to ensure the maximum arresting force does not exceed 1,800 lbs. (816.47 kg), and the system functions properly. The results of these tests are listed in the user instruction manual provided with Force2 Energy Absorbing Lanyards.

2.5 RESTRAINT SYSTEM: Restraint systems used with this equipment must meet state, federal, OSHA, and ANSI requirements.

2.6 ANCHORAGE STRENGTH: The anchorage strength required is dependent on the application type. The following are the requirements of ANSI Z359.1 for these application types:

A. Fall Arrest: Anchorages selected for fall arrest systems shall have a strength capable of sustaining static loads applied in the directions permitted by the system of at least:

1. 5,000 lbs. (22.2 kN) for non-certified anchorages
2. Two times the maximum arresting force for certified anchorages.

When more than one fall arrest system is attached to an anchorage, the strengths set forth in (1) and (2) above shall be multiplied by the number of systems attached to the anchorage.

B. Restraint: Anchorages selected for restraint and travel restraint systems shall have a strength capable of sustaining static loads applied in the directions permitted by the system of at least:

1. 1,000 lbs. (4.5 kN) for non-certified anchorages
2. Two times the foreseeable force for certified anchorages.

When more than one restraint and travel restraint system is attached to an anchorage, the strengths set forth in (1) and (2) above shall be multiplied by the number of systems attached to the anchorage.

C. Work Positioning: Anchorages selected for work positioning systems shall have a strength capable of sustaining static loads applied in the directions permitted by the system of at least:

1. 3,000 lbs. (13.3 kN) for non-certified anchorages
2. Two times the foreseeable force for certified anchorages.

When more than one work positioning system is attached to an anchorage, the strengths previously set forth in (1) and (2) shall be multiplied by the number of systems attached to the anchorage.

D. Rescue: Anchorages selected for rescue systems shall have a strength capable of sustaining static loads applied in the directions permitted by the system of at least:

1. 3,000 lbs. (13.3 kN) for non-certified anchorages
2. Five times the foreseeable force for certified anchorages.

When more than one work positioning system is attached to an anchorage, the strengths previously set forth in (1) and (2) shall be multiplied by the number of systems attached to the anchorage.

E. PERSONNEL RIDING: The structure to which the Detent Anchor is attached must sustain static loads applied in the directions permitted by the personnel riding system of at least 2,500 lbs (11.1 kN). When more than one personnel riding system is attached to an anchorage, the strengths stated above must be multiplied by the number of personnel riding systems attached to the anchorage.

WARNING: Use of the Detent Anchor for an application that does not meet the anchorage strength requirements stated in this section may result in serious injury or death.

3.0 INSTALLATION AND USE

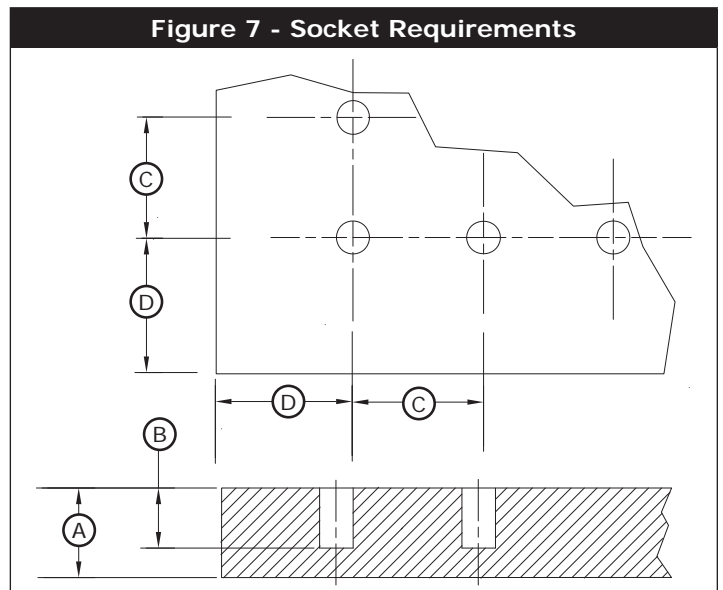
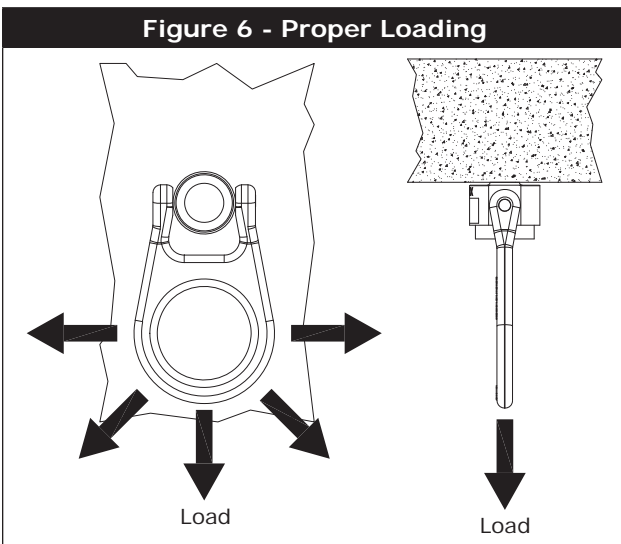
WARNING: Do not alter or intentionally misuse this equipment. Consult Capital Safety when using this equipment in combination with components or subsystems other than those described in this manual. Some subsystem and component combinations may interfere with the operation of this equipment. Use caution when using this equipment around moving machinery, electrical hazards, chemical hazards, sharp edges, and abrasive surfaces.

WARNING: Consult your doctor if there is any reason to doubt your fitness to safely absorb the shock from a fall arrest or suspension. Age and fitness seriously affect a worker's ability to withstand falls. Pregnant women or minors must not use DBI-SALA equipment unless in an emergency situation.

- 3.1 BEFORE EACH USE:** Before each use of this equipment, carefully inspect it to assure that it is in serviceable condition. Refer to Section 5 for inspection details. Do not use if inspection reveals an unsafe condition.
- 3.2 PLANNING:** Plan your system before starting your work. Take into consideration factors that affect your safety before, during, and after a fall. The following list gives some important points to consider:
- A. ANCHORAGE:** Select an anchorage capable of supporting the loads specified in Section 2.6.
 - B. SHARP EDGES:** Avoid working where system components may be in contact with or abrade against sharp edges. If working around sharp edges is unavoidable, provide protection by using a heavy pad over the exposed sharp edge.
 - C. AFTER A FALL:** Components subjected to the forces of arresting a fall must be removed from service and destroyed.
 - D. RESCUE:** The employer must have a rescue plan in place prior to the use of this equipment. The rescue plan must provide for a quick safe rescue.
- 3.3 INSTALLATION REQUIREMENTS:** The following requirements must be observed to ensure safe effective installation of the Detent Anchor:
- A. LOCATION:** Select a location on a suitable strength anchorage (see Section 2.6) that will provide overall safety and proper loading (see Figure 6).
 - B. CONCRETE AND MOUNTING HOLES:** The Detent Anchor is not intended for use in lightweight concrete, hollow block, grout, or stone. Table 1 lists concrete requirements for each Anchor Socket type. Drill bits used to drill mounting holes for the Adhesive Mount Sockets must conform to ANSI B212.5. See Figure 7 and the following table for required hole spacing. Holes should be sufficient distance from any obstruction that may impede rotation of the D-Ring when a Personal Fall Arrest System is attached.

Table 1 - Concrete Mounting Requirements (see Figure 7 for referenced dimensions)

Anchor Socket	Minimum Concrete Compressive Strength	(A) Minimum Concrete Thickness	(B) Hole Depth	(C) Min. Hole-to-Hole Spacing	(D) Min. Hole-to-Edge Spacing
Adhesive Mount Socket	3,000 psi (20.7 MPa)	7.5 in (19 cm)	4.25 in (10.8 cm)	10 in (25 cm)	8 in (20 cm)
Pour-in Place Socket	5,000 psi (34.5 MPa)	6 in (15 cm)	N/A	12 in (30.5 cm)	12 in (30.5 cm)



3.4 ADHESIVE MOUNT SOCKET INSTALLATION: Figure 8 illustrates installation of the Adhesive Mount Anchor Socket and Detent Anchor. Installation steps are as follows:

IMPORTANT: When properly installed, the Anchor Socket will be permanently set in the concrete wall/floor and cannot be removed.

Step 1. Drill a 4 1/4 inch (10.8 cm) deep hole at the desired mounting location (Table 1) with a Rotary Hammer and industrial grade 7/8 inch (22 mm) Rotary Hammer Drill Bit.

WARNING: Before drilling holes, inspect the hole location to prevent drilling into power transmission cables or other live utilities.

Step 2. The mounting hole must be free of debris for the Anchor Socket to bond securely in the mounting hole. Blow all debris out of the hole with a Blow-Out Bulb or Compressed Air; remove loose particles with a Hole Brush; and then blow out the hole again to remove any remaining debris.

Step 3. Inject the recommended anchor adhesive into the mounting hole to a depth of 1/3 to 1/2 full.

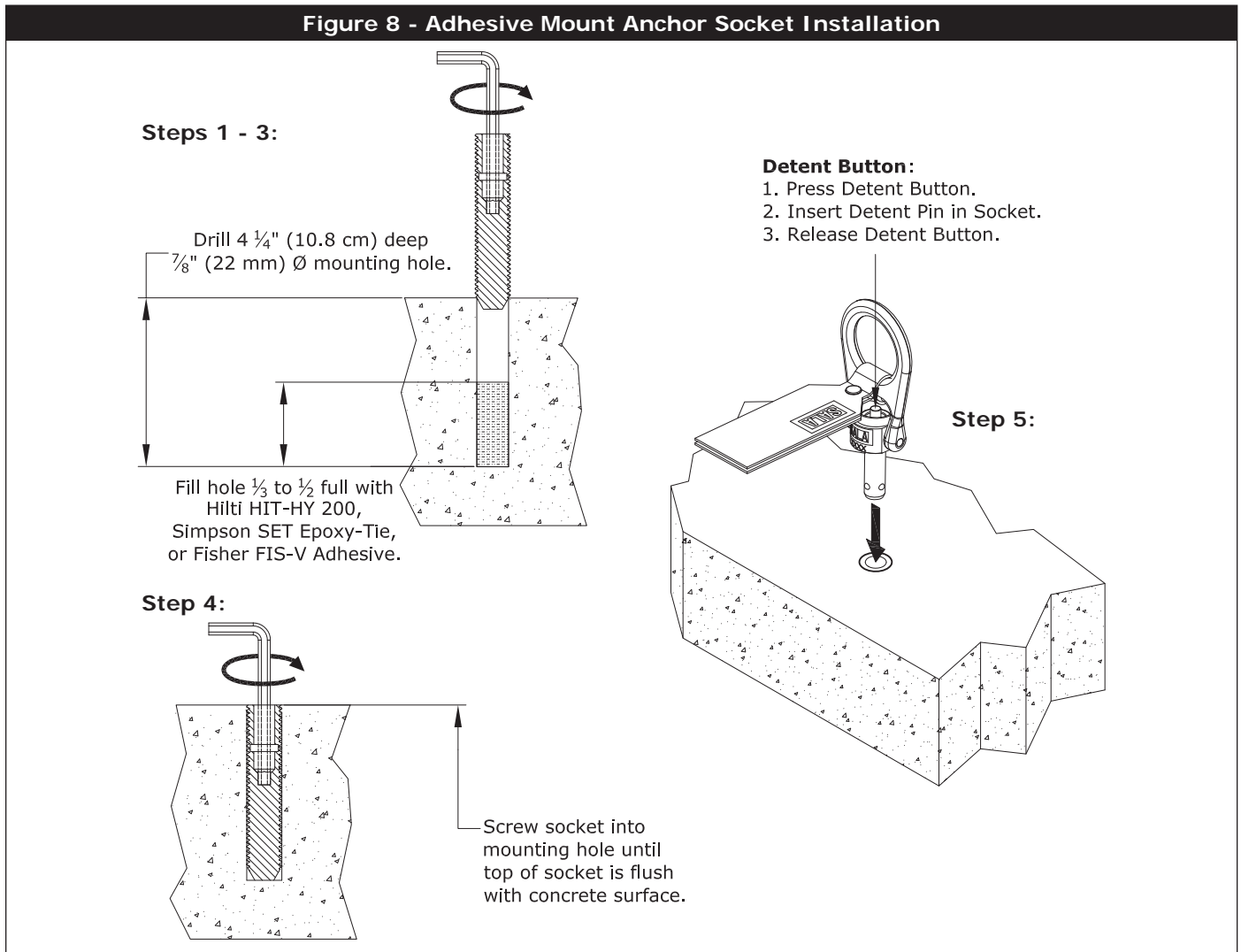
ADHESIVES: To ensure proper bonding, only Hilti HIT-HY 200, Simpson SET Epoxy-Tie, or Fisher FIS-V Adhesives should be used to secure the Anchor Socket in the mounting hole. Always follow the adhesive manufacturer's instructions when applying adhesive in the mounting hole.

Step 4. Slowly Thread the Anchor Socket into the mounting hole with the provided M6 Allen Wrench until the top of the socket is flush with the concrete surface. Remove any excess adhesive protruding from the hole and allow the adhesive to set and cure per the manufacturer's recommendations.

IMPORTANT: The Anchor Socket must be threaded into the hole, not just pushed or pounded into the hole and adhesive.

Step 5. Once the adhesive has had sufficient time to set and cure, press the Detent Button on the Detent Pin and insert the Detent Pin in the Anchor Socket. Release the Detent Button and then pull on the Detent Pin to ensure it is locked in the Anchor Socket.

Figure 8 - Adhesive Mount Anchor Socket Installation



3.5 POUR-IN-PLACE SOCKET INSTALLATION: Figure 9 illustrates installation of the Pour-in-Place Anchor Socket and Detent Anchor. Installation steps are as follows:

IMPORTANT: The Pour-in-Place Socket (2100152) shall only be used with Detent Anchor 2101002 or 2101004.

Step 1. Prior to pouring concrete, Secure Pour-in-Place Anchor Sockets at the desired positions with top socket surfaces flush against the concrete forms. (See Table 1 for required socket spacing.)

TOP MOUNTED SOCKETS: To mount Pour-in-Place Anchor Sockets in the top surface of the concrete slab, pour concrete into the form as directed in Step 2 and then insert the Anchor Sockets into the concrete before it cures. The top surface of the socket should be flush with the concrete surface. Do not allow the concrete to enter the socket opening.

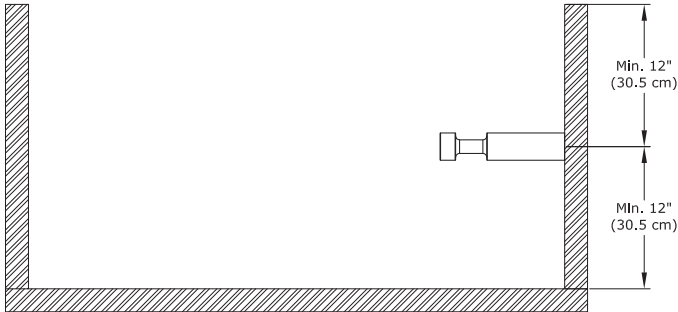
Step 2. Pour concrete. (See Table 1 for Minimum Thickness and Minimum Strength requirements).

Step 3. Remove the forms to reveal the Pour-in-Place Sockets and then allow concrete to fully cure.

Step 4. To install the Detent Anchor in the Anchor Socket, press the Detent Button on the Detent Pin and insert the Detent Pin in the Anchor Socket. Release the Detent Button and then pull on the Detent Pin to ensure it is locked in the Anchor Socket.

Figure 9 - Pour-in-Place Anchor Socket and Detent Pin Installation

Step 1. Secure the Socket in position so the top surface of the Socket is flush against the form.

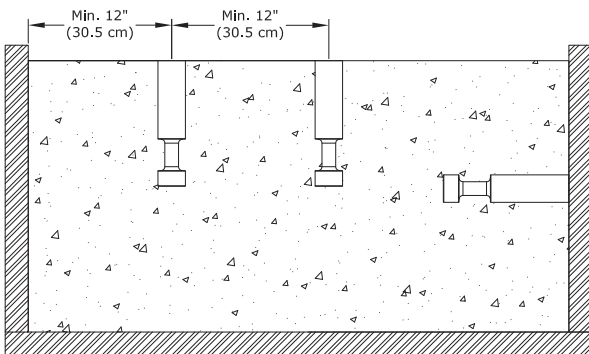


IMPORTANT: If the Pour-in-Place Anchor Socket is not flush against the form, poured concrete may enter the socket opening, making the socket unusable.

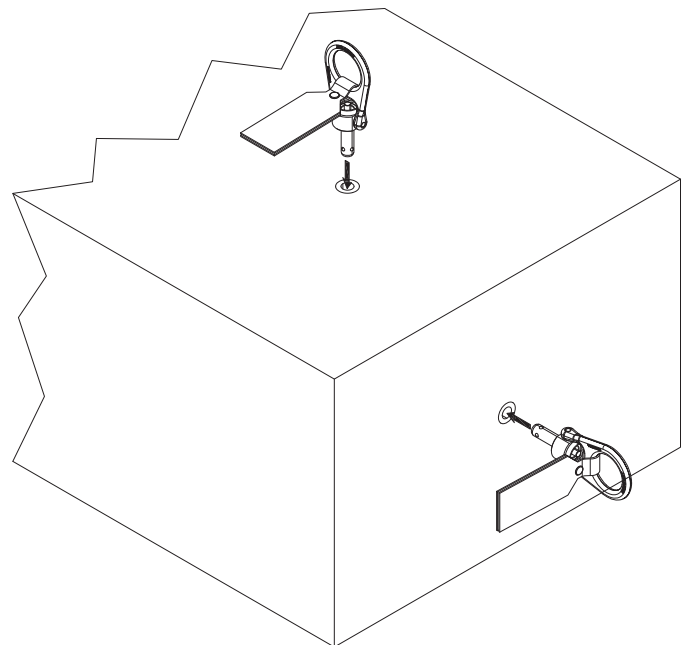
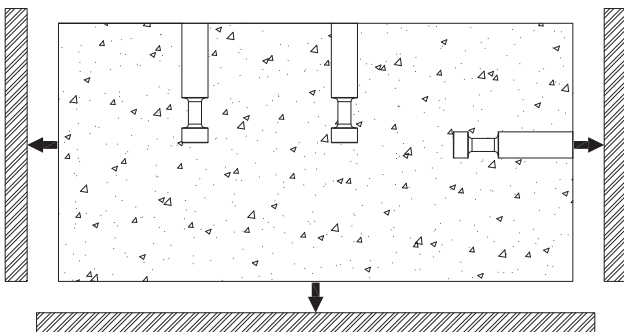
Step 4. After concrete has fully cured, install the Detent Anchor in the Socket when an anchorage connection is needed:

- A. Press Detent Button.
- B. Insert Detent Pin in Socket.
- C. Release Detent Button.

Step 2. Pour concrete. Place any Anchor Sockets in top surface of concrete before the concrete cures.



Step 3. Remove Forms and insert Caps in Socket openings. Allow concrete to fully cure before use.



3.6 REMOVAL: The Detent Pin can be removed by pushing the Detent Button and pulling the Detent Pin out of the Anchor Socket (Figure 10). After removing the Detent Pin, insert the provided Socket Cap in the Anchor Socket to keep the socket interior free of contaminants.

IMPORTANT: When properly installed, the Anchor Socket is permanently seated and can not be removed.

3.7 REUSE: Before reusing the Detent Pin or Anchor Socket, always inspect the anchor and socket for damage or wear (see Section 5). If inspection reveals an unsafe or defective condition, do not use the defective item. To reuse the Anchor Socket, remove the Socket Cap and insert the Detent Pin in the Anchor Socket (see Section 3.4, Step 5).

4.0 TRAINING

4.1 It is the responsibility of the user to assure they are familiar with these instructions, and are trained in the correct care and use of this equipment. Users must also be aware of the operating characteristics, application limits, and the consequences of improper use of this equipment.

IMPORTANT: Training must be conducted without exposing the trainee to a fall hazard. Training should be repeated on a periodic basis.

5.0 INSPECTION

5.1 FREQUENCY:

- **Before Each Use:** Visually inspect the Concrete Detent Anchor per steps listed in Sections 5.2 and 5.3.
- **Annually:** A formal inspection of the Concrete Detent Anchor and its connection to the structure must be performed at least annually by a competent person other than the user. The frequency of formal inspections should be based on conditions of use or exposure. See sections 5.2 and 5.3. Record the inspection results in the inspection and maintenance log in Section 9.

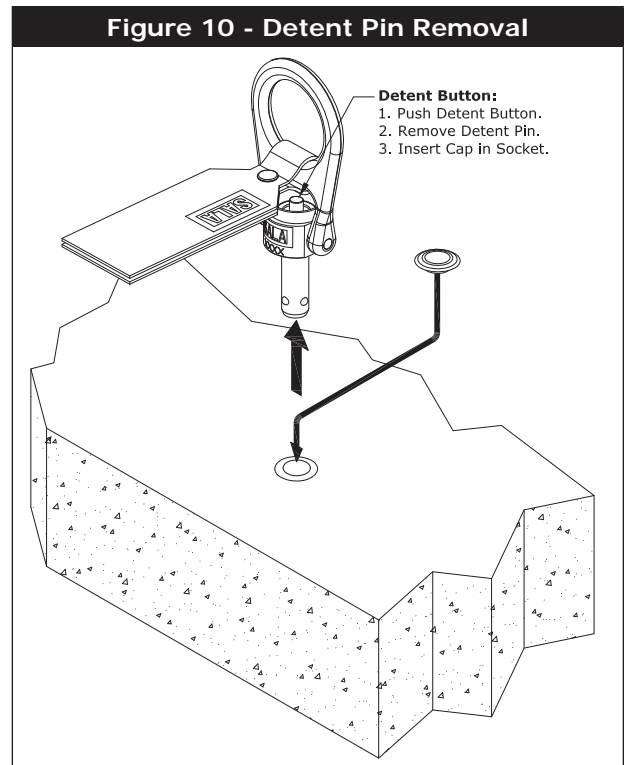
IMPORTANT: Extreme working conditions (harsh environment, prolonged use, etc.) may require increasing the frequency of inspections.

5.2 INSPECTION STEPS: Per the intervals defined in Section 5.1, inspect the Concrete Detent Anchor as follows. (Refer to Figure 1 for component identification):

- Step 1.** Inspect the Detent Pin and Anchor Socket for signs of damage. Remove the Detent Pin and inspect for cracks or wear that may affect the strength. The Detent Button should work smoothly. Inspect the four Detent Balls for signs of damage. All four balls should fully extend and lock when the Detent Button is released.
- Step 2.** Inspect the Concrete Detent Anchor for signs of damage. The Detent Pin should rotate freely in the Anchor Socket and the Detent Ring should rotate 180 degrees on the Detent Pin.
- Step 3.** Inspect the concrete around the Anchor Socket for cracking and signs of damage that could affect the anchors strength.
- Step 4.** Verify that the ID & Instruction Label is securely attached to the Detent Pin and is legible (see Section 8).

NOTE: Record the inspection date and results in the Inspection and Maintenance Log (see Section 9).

5.3 DEFECTS: If inspection reveals a defective Detent Pin, remove the Detent Pin from service and destroy it. If inspection reveals a defective Anchor Socket, label the socket to prevent future use or fill the socket opening with concrete.



6.0 MAINTENANCE

- 6.1 CLEANING:** After each use, blow off the Concrete Detent Anchor with compressed air. Keep the anchor free of grease, oils, and dirt.
- 6.2 STORAGE:** Store the Concrete Detent Anchor in a clean dry environment. Avoid areas where chemical vapors may exist. Do not pile objects on top of the anchor. Thoroughly inspect the Concrete Detent Anchor after extended storage.

7.0 SPECIFICATIONS

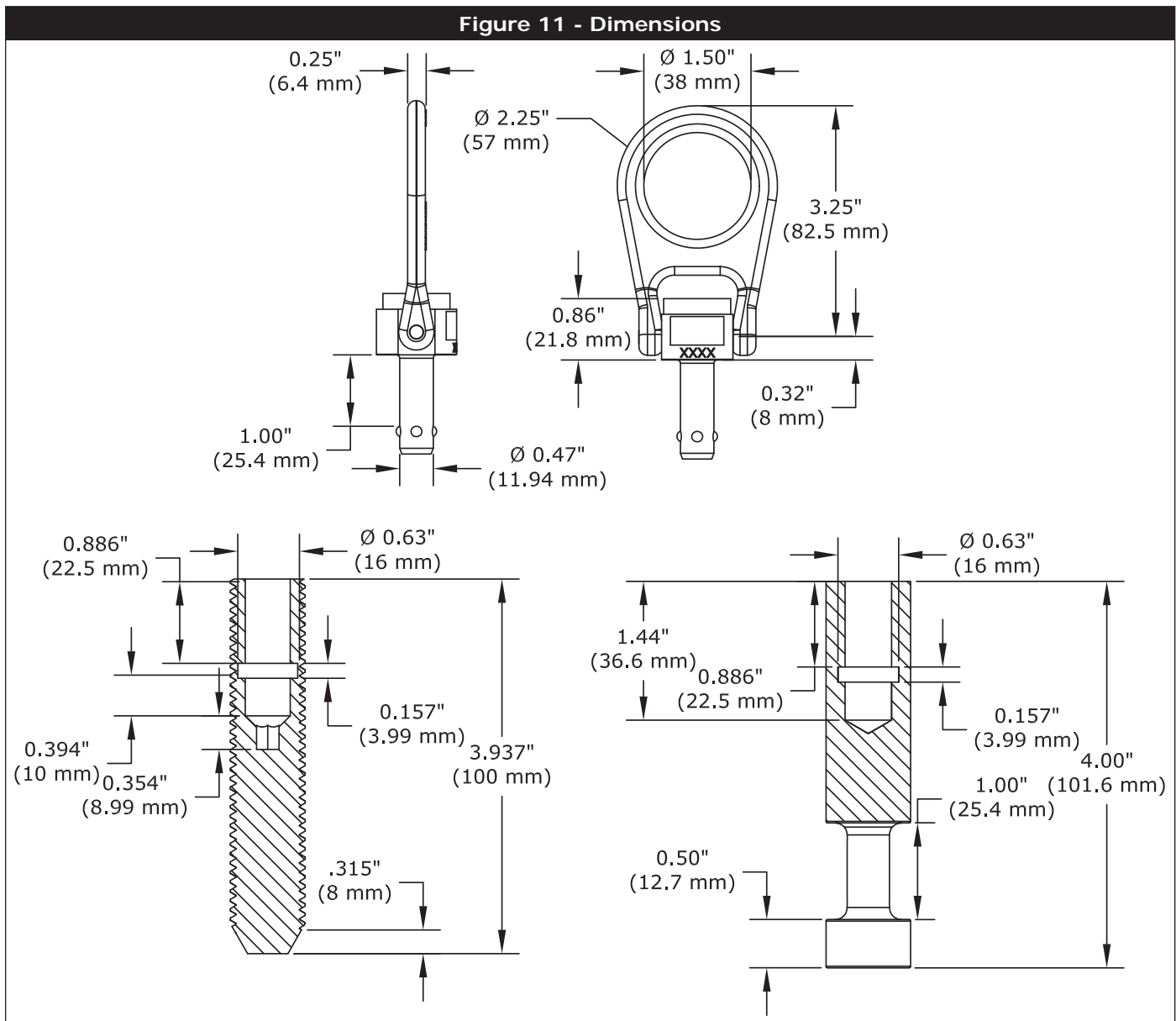
7.1 MATERIALS:

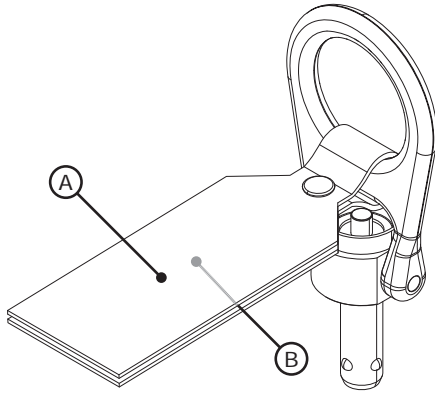
- Detent Pin:** Stainless Steel
Anchor Socket: Stainless Steel
Socket Cap: Plastic

- 7.2 DIMENSIONS:** See Figure 11 for physical dimensions of the Concrete Detent Anchor

8.0 LABELS

The following labels should be securely attached to the Concrete Detent Anchor and should be fully legible.





WARNING
 Manufacturer's Instructions supplied with this product at time of shipment must be followed for proper use, maintenance and inspection. Alteration or misuse of this product, or failure to follow instructions may result in serious injury or death. Inspect anchor before each use. Do not use if inspection reveals an unsafe condition. Fall arrest systems must limit maximum arresting forces to 1800 lbs. Do not allow fall arrest system to abrade against sharp edges. Connecting hardware must be compatible, and be a carabiner or a 3600 lb self locking snap hook. Do not exceed capacity of this or other system components. Refer to User Manual. Items subjected to fall arrest impact forces must be immediately removed from service and destroyed. This anchor must only be used with DBI-SALA sockets and approved adhesives. Do not remove label.

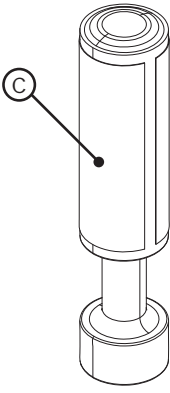
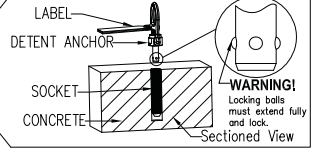
(A)

9508259 Rev. B
DBI-SALA www.capitalsafety.com Capacity: One person, 310 lbs.
Detent Anchor
 This product meets OSHA and ANSI Z359.1 requirements. Material: Stainless steel socket, detent, and shackle.
 DATE:(Y/M): LOT NO: MODEL NO:

Do not remove this label

SOCKET INSTALLATION
 1. Drill \varnothing 7/8" to depth 4.13" using rotary hammer drill and bit. Anchor must be 8" from edge. Concrete must be at least 7.5" thick.
 2. Remove dust using a blow out tool and wire brush.
 3. Insert adhesive in accordance with adhesive instructions. See user instructions for approved adhesives.
 4. Thread socket into adhesive using lift tool until 1/16" above surface.
 5. Remove excess adhesive from around hole.
 6. Allow time for adhesive to dry according to adhesive instructions.
 7. After the adhesive has cured, insert the detent anchor in the socket.
 Concrete minimum compressive strength 3000 psi. Not for use in lightweight concrete, hollow brick, brick, grout, or stone.

(B)



(C)

DBI-SALA www.capitalsafety.com
 Pour in Place Socket Model 2100152
 Capacity: One person, 310 lbs
 This socket is only to be used with DBI-SALA Detent Anchor

WARNING Manufacturer's Instructions supplied with this product at time of shipment must be followed for proper use, maintenance and inspection. **This socket can not be installed using adhesives.**

SOCKET INSTALLATION
 1. Secure socket in position before the concrete pour. Socket top surface must be flush with forms before pour. Concrete must have a min. compressive strength of 5,000 psi. Socket must be at least 12" away from any edge. Concrete must have minimum thickness of 6".
 2. Remove forms to reveal socket
 3. Allow concrete to fully cure before use.

SERIAL NO. XXXXXX

This product meets OSHA and ANSI Z359.1 requirements.
 Material: Stainless steel socket.
 9508259 Rev. A

LIMITED LIFETIME WARRANTY

Warranty to End User: D B Industries, Inc., dba CAPITAL SAFETY USA ("CAPITAL SAFETY") warrants to the original end user ("End User") that its products are free from defects in materials and workmanship under normal use and service. This warranty extends for the lifetime of the product from the date the product is purchased by the End User, in new and unused condition, from a CAPITAL SAFETY authorized distributor. CAPITAL SAFETY'S entire liability to End User and End User's exclusive remedy under this warranty is limited to the repair or replacement in kind of any defective product within its lifetime (as CAPITAL SAFETY in its sole discretion determines and deems appropriate). No oral or written information or advice given by CAPITAL SAFETY, its distributors, directors, officers, agents or employees shall create any different or additional warranties or in any way increase the scope of this warranty. CAPITAL SAFETY will not accept liability for defects that are the result of product abuse, misuse, alteration or modification, or for defects that are due to a failure to install, maintain, or use the product in accordance with the manufacturer's instructions.

CAPITAL SAFETY'S WARRANTY APPLIES ONLY TO THE END USER. THIS WARRANTY IS THE ONLY WARRANTY APPLICABLE TO OUR PRODUCTS AND IS IN LIEU OF ALL OTHER WARRANTIES AND LIABILITIES, EXPRESSED OR IMPLIED. CAPITAL SAFETY EXPRESSLY EXCLUDES AND DISCLAIMS ANY IMPLIED WARRANTIES OF MERCHANTABILITY OR FITNESS FOR A PARTICULAR PURPOSE, AND SHALL NOT BE LIABLE FOR INCIDENTAL, PUNITIVE OR CONSEQUENTIAL DAMAGES OF ANY NATURE, INCLUDING WITHOUT LIMITATION, LOST PROFITS, REVENUES, OR PRODUCTIVITY, OR FOR BODILY INJURY OR DEATH OR LOSS OR DAMAGE TO PROPERTY, UNDER ANY THEORY OF LIABILITY, INCLUDING WITHOUT LIMITATION, CONTRACT, WARRANTY, STRICT LIABILITY, TORT (INCLUDING NEGLIGENCE) OR OTHER LEGAL OR EQUITABLE THEORY.



The Ultimate in Fall Protection

CSG USA & Latin America

3833 SALA Way
Red Wing, MN 55066-5005
Toll Free: 800.328.6146
Phone: 651.388.8282
Fax: 651.388.5065
solutions@capitalsafety.com

CSG Canada

260 Export Boulevard
Mississauga, ON L5S 1Y9
Phone: 905.795.9333
Toll-Free: 800.387.7484
Fax: 888.387.7484
info.ca@capitalsafety.com

CSG Northern Europe

5a Merse Road
North Moons, Moat
Reditch, Worcestershire, UK
B98 9HL
Phone: + 44 (0)1527 548 000
Fax: + 44 (0)1527 591 000
csgne@capitalsafety.com

CSG EMEA (Europe, Middle East, Africa)

Le Broc Center
Z.I. 1ère Avenue
5600 M B.P. 15 06511
Carros
Le Broc Cedex
France
Phone: + 33 4 97 10 00 10
Fax: + 33 4 93 08 79 70
information@capitalsafety.com

CSG Australia & New Zealand

95 Derby Street
Silverwater
Sydney NSW 2128
AUSTRALIA
Phone: +(61) 2 8753 7600
Toll-Free : 1 800 245 002 (AUS)
Toll-Free : 0800 212 505 (NZ)
Fax: +(61) 2 87853 7603
sales@capitalsafety.com.au

CSG Asia

Singapore:
16S, Enterprise Road
Singapore 627666
Phone: +65 - 65587758
Fax: +65 - 65587058
inquiry@capitalsafety.com

Shanghai:

Rm 1406, China Venturetech Plaza
819 Nan Jing Xi Rd,
Shanghai 200041, P R China
Phone: +86 21 62539050
Fax: +86 21 62539060

www.capitalsafety.com

