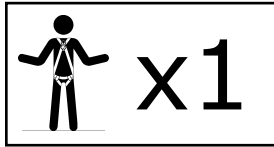


**48** SPECIFIC INSTRUCTIONS



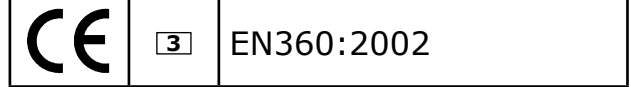
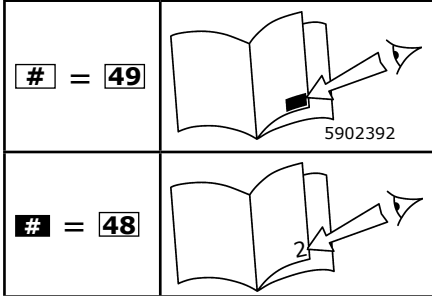
**SEALED-BLOK™**  
**SRLs**

**1**

**78**

Model Numbers:

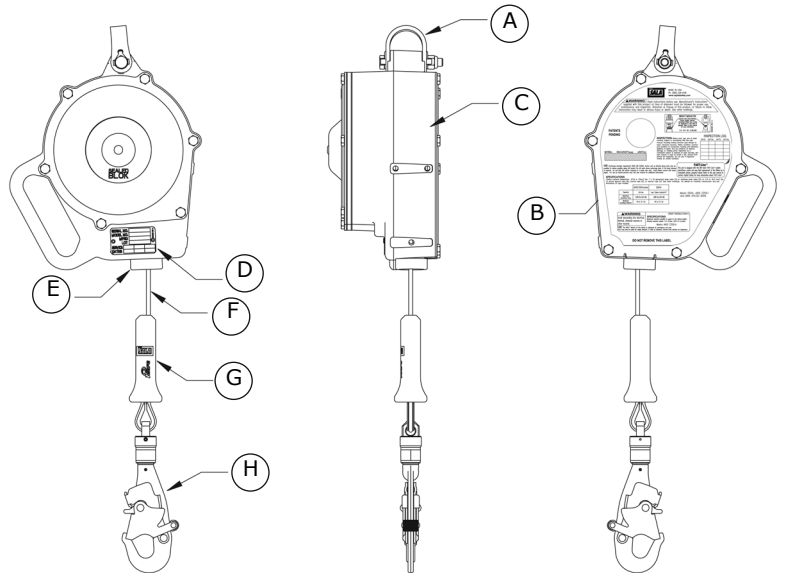
3400656	3400866	3400892	3400952	3400985
3400657	3400867	3400916	3400955	3400986
3400658	3400868	3400917	3400956	3400996
3400665	3400880	3400943	3400960	3400997
3400835	3400881	3400944	3400961	3401008
3400836	3400881/A	3400950	3400971	3401009
3400838	3400891	3400951	3400972	

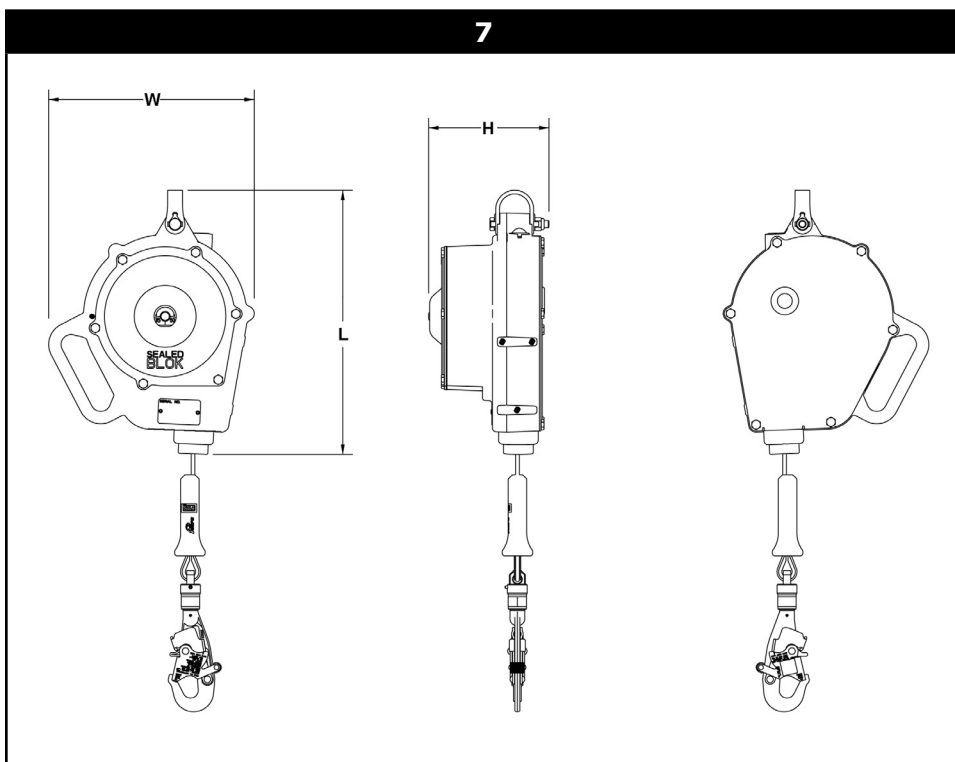
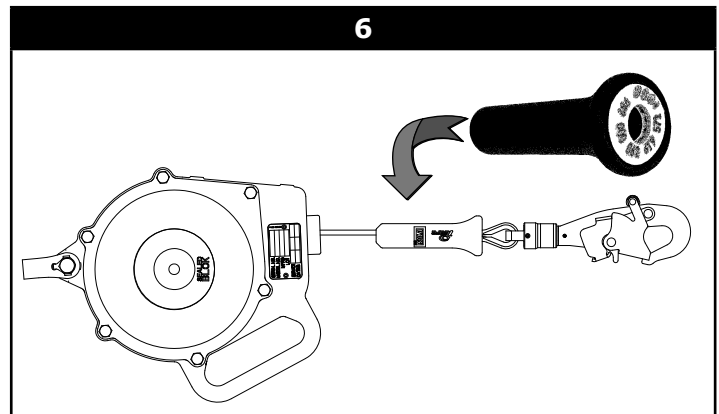
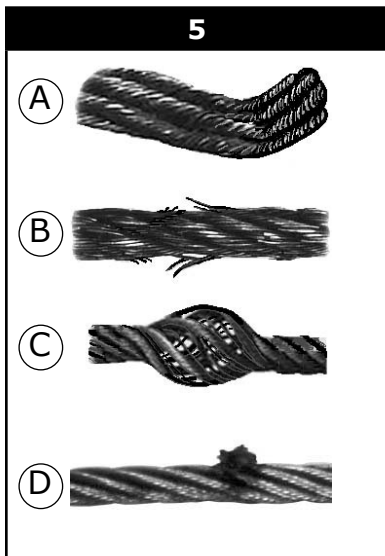
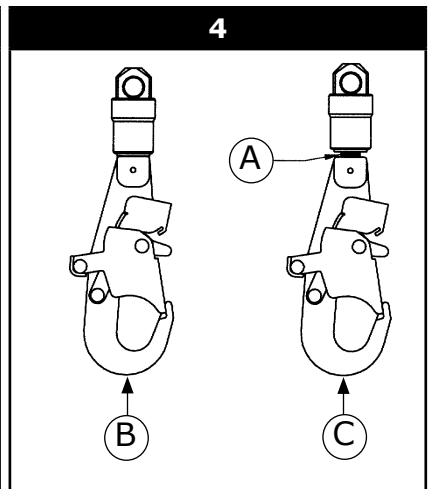
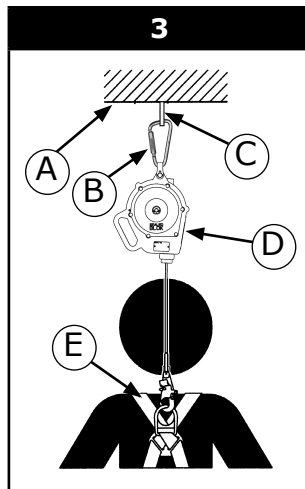
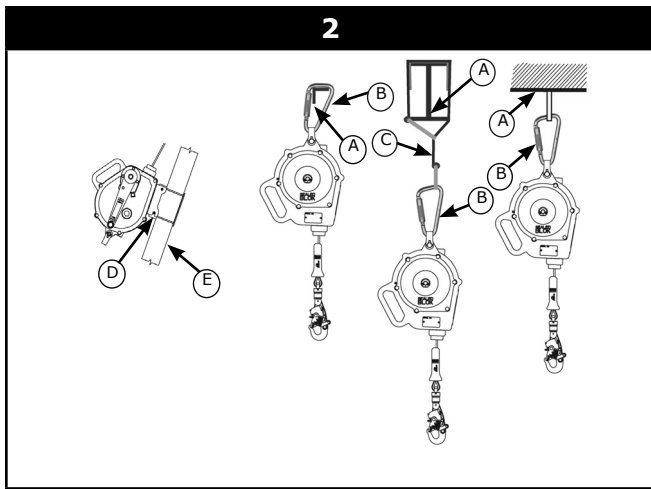


<b>8</b> CE TYPE TEST	No. 0321 Satra Technology Centre Wyndham Way Telford Way Kettering, Northants NN16 8SD UK
<b>9</b> CE PRODUCTION QUALITY CONTROL	No. 0086 BSI Product Services Kitemark House Mayland Ave. Hemel Hempstead HP2 4SQ UK

**1**

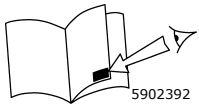
<b>(A)</b>	Anchorage Handle	<b>2</b>
<b>(B)</b>	Instruction label	<b>3</b>
<b>(C)</b>	Housing	<b>4</b>
<b>(D)</b>	ID Label	<b>5</b>
<b>(E)</b>	Cable Guide	<b>6</b>
<b>(F)</b>	Lifeline	<b>7</b>
<b>(G)</b>	Bumper	<b>8</b>
<b>(H)</b>	Self-locking Snap Hook	<b>9</b>





**FOREWORD:** This instruction describes installation and use of the Sealed-Blok™ Self Retracting Lifeline (SRL). It should be used as part of an employee training program as required by CE.

**IMPORTANT:** Before using this equipment, record the product identification information from the Installation and Service Label on the Equipment Identification Sheet at the back of the "General Instructions for Use and Maintenance" (5902392).



**GENERAL GLOSSARY REFERENCE BOXES:** White Glossary Reference Boxes on the front cover of this instruction reference 'Glossary' items in the "General Instructions for Use and Maintenance" (5902392).



**SPECIFIC GLOSSARY REFERENCE BOXES:** Black Glossary Reference Boxes on the front cover of this instruction reference the following items:

- 1:** Sealed-Blok™ SRL   **2:** Anchorage Handle   **3:** Housing   **4:** Lifeline   **5:** Bumper
- 6:** RSQ Engagement Knob   **7:** Cable Guide   **8:** ID Label   **9:** Self-locking Snap Hook

**TRAINING:** It is the responsibility of users of this equipment to understand these instructions and be trained in correct installation, use, and maintenance of this equipment. Users must be aware of the consequences of improper installation or use of this equipment. This instruction manual is not a substitute for a training program. Training must be provided on a periodic basis to ensure user proficiency.

**DESCRIPTION:** Sealed-Blok™ SRLs provide fall protection and worker mobility in a sealed enclosure designed to keep critical components free of dirt, grease, water and chemicals.

**PURPOSE:** Sealed-Blok™ Self Retracting Lifelines are designed to be a component in a personal fall arrest system (PFAS). They may be used in most situations where a combination of worker mobility and fall protection is required (i.e. inspection work, general construction, maintenance work, oil production, confined space work, etc.). Some Sealed-Blok™ SRL models incorporate a built-in retrieval feature. These models have the same fall arrest capabilities as those described above when used in their non-retrieval mode. In the retrieval mode these models may be used for emergency rescue (raising or lowering) of personnel within the capacity range stated below. It is also permissible to use retrieval models for raising and lowering of materials within the stated capacity range. Other Sealed-Blok™ SRL models include the DBI-SALA RSQ controlled descent feature for self-rescue/descent or assisted rescue. See Capital Safety manual 5903079 (Sealed-Blok™ Self Retracting Lifeline with Retrieval) and 5903078 (Sealed-Blok™ Self Retracting Lifeline).

**LIMITATIONS:** Installation and use of this equipment is restricted to the following limitations:

- **STRUCTURE:** The structure to which the Sealed-Blok™ SRL is installed must be capable of withstanding the loads applied by the system in the event of a fall (see *System Requirements*).
- **SYSTEM CAPACITY:** Sealed-Blok™ SRLs are designed for use by persons with a combined weight (person, clothing, tools, etc.) of 75 lbs (34 kg) to 310 lbs (140.6 kg). Some units have a capacity of 420 lbs (190.5 kg). Refer to the instruction label to determine the capacity of your unit. At no time shall more than one person connect to a single SRL for fall arrest applications.
- **ENVIRONMENTAL HAZARDS:** Use of this equipment in areas with environmental hazards may require additional precautions to reduce the possibility of injury to the user or damage to the equipment. Hazards may include, but are not limited to: high heat caused by welding or metal cutting; caustic chemicals; seawater; high voltage power lines; explosive or toxic gases; moving machinery; sharp edges.
- **COMPONENT COMPATIBILITY:** The SRL is designed for use with Capital Safety approved components and subsystems (see *System Requirements*). The use of non-approved components and subsystems may jeopardize compatibility of equipment, and could affect the safety and reliability of the complete system.

**IMPORTANT:** The Sealed-Blok™ SRL should not be used in combination with another fall protection system or sub system, except if authorized by Capital Safety.

- **LOCKING SPEED:** Situations which do not allow for an unobstructed fall path should be avoided. Working in confined or cramped spaces may not allow the body to reach sufficient speed to cause the SRL to lock if a fall occurs. Working on slowly shifting material, such as sand or grain, may not allow enough speed buildup to cause the SRL to lock. A clear path is required to assure positive locking of the SRL.

**SYSTEM REQUIREMENTS:** Plan your fall protection system and how it will be used before starting your work. Consider all factors that will affect your safety before, during, and after a fall. Include the following considerations when planning your system:

- **BODY SUPPORT:** A full body harness must be used with the Sealed-Blok™ SRL. The harness connection point must be above the user's center of gravity. A body belt is not authorized for use with the SRL. If a fall occurs when

using a body belt, it may cause unintentional release and possible suffocation because of improper body support. Substitutions of equipment or system components must not be made without the written consent of Capital Safety.

- **COMPATIBILITY OF COMPONENTS:** Unless otherwise noted, Capital Safety equipment is designed for use with Capital Safety approved components and subsystems only. Substitutions or replacements made with non approved components or subsystems may jeopardize compatibility of equipment and may affect safety and reliability of the complete system:
  - Horizontal Systems - In applications where an SRL is used in conjunction with a horizontal system (i.e. horizontal I-beams and trolleys), the SRL and horizontal system components must be compatible.
  - Retrieval Systems - When using Capital Safety SRLs with optional retrieval system, ensure the support structure (i.e. tripod, davit arm) is compatible with connection of the SRL, and compatible with the operation, stability, and strength of the SRL.
- **FALL CLEARANCE:** Ensure that adequate clearance exists in the fall path to prevent striking an object during a fall. A minimum of 6 feet (1.8 m) from the working level to the lower level or nearest obstruction is recommended.

**INSTALLATION**

**Planning:** Plan your fall protection system before starting your work. Account for all factors that may affect your safety before, during, and after a fall. Consider all system requirements and limitations.

**Anchorage:** Select an anchorage location with minimal free fall and swing fall hazards. Select a rigid anchorage point capable of sustaining the static loads.

Figure 2 - Anchorage and Connections	
A	Anchorage
B	Connector
C	Anchorage Connector
D	Mounting Bracket (if applicable)
E	Tripod Leg

**OPERATION**

**WARNING:** Do not alter or intentionally misuse this equipment. Consult Capital Safety when using this equipment in combination with components or subsystems other than those described in this manual. Some subsystem and component combinations may interfere with the operation of this equipment. Use caution when using this equipment around moving machinery, electrical hazards, chemical hazards, and sharp edges. Do not loop the lifeline around small structural members.

**WARNING:** Consult your doctor if there is reason to doubt your fitness to safely absorb the shock from a fall arrest. Age and fitness seriously affect a worker’s ability to withstand falls. Pregnant women or minors must not use Capital Safety self retracting lifelines.

**Before Each Use:** Before each use of this fall protection equipment, carefully inspect it to assure it is in good working condition. Check for worn or damaged parts. Ensure all bolts are present and secure. Check that the lifeline is retracting properly by pulling out the line and allowing it to slowly retract. If there is any hesitation in retraction, the unit should be returned to an authorized service center for service. Inspect the lifeline for cuts, frays, burns, crushing, and corrosion. Check locking action by pulling sharply on the line. Do not use if inspection reveals an unsafe condition.

**After a Fall:** Any equipment which has been subjected to the forces of arresting a fall or exhibits damage consistent with the effect of fall arrest forces, must be removed from service immediately and sent to an authorized service center for repair.

**Body Support:** A full body harness must be worn when using Capital Safety SRLs. For general fall protection use connect to the back (dorsal) D-ring. For situations such as ladder climbing, it may be useful to connect to the front of the harness. This is acceptable provided potential free fall is very short and footing can be easily regained.

**IMPORTANT:** Do not use a body belt for free fall applications.

**Making Connections:** When using a hook to make a connection, ensure roll-out cannot occur. Do not use hooks or connectors that will not completely close over the attachment object. Do not use non-locking snap hooks. The mounting surface should meet the anchorage strength requirements. Follow the manufacturer’s instructions supplied with each system component.

**Figure 3 - Usage**

A	Anchorage
B	Connector
C	Anchorage Connector
D	Self-Retracting Lifeline
E	Harness

**Operation:** Inspect the SRL as described. Connect the SRL to a suitable anchorage or anchorage connector as previously described. Connect self locking snap hook on end of lifeline to the fall arrest attachment (full body harness). See Figure 3. Ensure connections are compatible in size, shape, and strength. Ensure hook is fully closed and locked. Once attached, the worker is free to move about within the recommended working area at normal speeds. If a fall occurs, the SRL will lock and arrest the fall. Upon rescue, remove SRL from use. When working with an SRL, always allow the lifeline to recoil back into the device under control. A short tag line may be required to extend or retract the lifeline during connection and disconnection operations. During extended periods of time that the SRL is not used, the use of a tag line is recommended to allow the lifeline to fully retract back into the housing. Depending in the work site environment and conditions, it may be necessary to restrain the free end of the tag line to prevent interference and entanglement with equipment or machinery.

**Retrieval and RSQ Controlled Descent:** The Sealed-Blok™ SRL can be purchased with optional Retrieval and RSQ Controlled Descent features that allow use of the SRL for self-rescue (RSQ), assisted rescue (Retrieval or RSQ), and lifting and lowering of materials (Retrieval). Separate SRL Retrieval Operator Instructions and SRL RSQ Controlled Descent Operator Instructions are included with Sealed-Blok™ Shuttles equipped with these features.

**DBI-SALA FAST-Line™ System:** This unit is equipped with the DBI-SALA FAST-Line™ system permitting a quick and easy field replacement of the lifeline by a competent person who has been properly trained and authorized by Capital Safety. Do not attempt to replace lifeline without first receiving specific instructions. Contact Capital Safety for more information about FAST-Line™. Refer to FAST-Line™ manual 5903076 Rev A.

**WARNING:** *In most cases, replacing the lifeline cannot be considered as a complete servicing. A thorough inspection of the unit must be performed by a competent person. If the snap hook impact indicator shows signs of activation (see figure 4), the unit should be removed from service and fully serviced, including the brake and the other internal safety components. If it is known that the impact indicator is activated but that the unit has not been used to arrest a fall (retrieval situation for example) then it is acceptable that only the lifeline gets replaced, as long as the rest of the unit passes the inspection.*

## **INSPECTION**

**INSPECTION FREQUENCY:** To ensure safe, efficient operation, the should be inspected at the following intervals:

- **Before Each Use:** Before each use, inspect equipment for any defaults according to this instruction.
- **Annual Inspection:** A formal inspection of the SRL must be completed by a competent person<sup>1</sup> other than the user. More frequent inspections by a competent person may be required based on the nature and severity of workplace conditions affecting the equipment and the modes of use and exposure time of the equipment. Record results in the inspection and maintenance log. A record of annual service dates can be found on the identification plate of the SRL.

**IMPORTANT:** *Extreme working conditions (harsh environment, prolonged use, etc.) may require increasing the frequency of inspections.*

- **After a Fall:** Inspect load indicator according to Figure 4, and entire SRL instruction.

**Inspection Guidelines:** To ensure safe, efficient operation, the Sealed-Block™ SRL should be inspected per the instructions in Table 1 at the indicated frequencies.

**IMPORTANT:** *Record the inspection results in the Inspection and Maintenance Log.*

**IMPORTANT:** *Extreme working conditions (harsh environment, prolonged use) may require increasing the frequency of inspections.*

**IMPORTANT:** *Only Capital Safety, or parties authorized in writing, may make repairs to this equipment.*

<sup>1</sup> One who is capable of identifying existing and predictable hazards in the surroundings or working conditions which are unsanitary, hazardous, or dangerous to employees, and who has authorization to take prompt corrective measures to eliminate them.

**Table 1 - Inspections Schedule**

<b>Component:</b>	<b>Inspection:</b>	<b>Before Each Use</b>	<b>Every Year</b>	<b>After a Fall</b>
SRL (Figure 1)	Inspect for loose bolts and bent or damaged parts.	<b>X</b>	<b>X</b>	<b>X</b>
	Inspect housing for distortion, cracks, or other damage.	<b>X</b>	<b>X</b>	<b>X</b>
	Lifeline should pull out and retract fully without hesitation or creating a slack line condition.	<b>X</b>	<b>X</b>	<b>X</b>
	Ensure device locks up when lifeline is jerked sharply. Lockup should be positive with no slipping (RSQ mode). *	<b>X</b>	<b>X</b>	<b>X</b>
	The labels must be present and fully legible.	<b>X</b>	<b>X</b>	<b>X</b>
	Look for signs of corrosion on the entire unit.	<b>X</b>	<b>X</b>	<b>X</b>
Connecting Hook & Impact Indicator (Figure 4)	Inspect connecting hooks for signs of damage, corrosion, and working condition. Swivel should rotate freely. Inspect impact indicator according to Figure 4.	<b>X</b>	<b>X</b>	<b>X</b>
Wire Rope (Figure 5)	Inspect wire rope for cuts, kinks, broken wires, bird-caging, welding splatter, corrosion, chemical contact areas, or severely abraded areas. Slide the cable bumper up and inspect ferrules for cracks or damage and inspect the wire rope for corrosion and broken wires.	<b>X</b>	<b>X</b>	<b>X</b>
Retrieval Components	If so equipped, inspect SRL Retrieval components per the procedures defined in the included SRL - Retrieval Operator Instruction (5903079).	<b>X</b>	<b>X</b>	<b>X</b>
RSQ Controlled Descent Components	If so equipped, inspect SRL RSQ Controlled Descent components per the procedures defined in the included SRL - RSQ Controlled Descent Operator Instruction (5903080).	<b>X</b>	<b>X</b>	<b>X</b>

\* Except as described in the proper operation of the device when used in the RSQ mode.

**Figure 4 - Impact Indicator**

**IMPACT INDICATOR:** To inspect the impact indicator, look for exposed color band on hook as shown in 4. If the hook is in the "indicated mode," an impact loading has occurred. SRLs which have been subjected to impact loading must be removed from service for inspection. Do not attempt to reset impact indicator. Return to an authorized service center for resetting.

**NOTE:** Swivel will not turn freely in "indicated mode."

A	Red band
B	Normal mode
C	Indicated mode

**Figure 5 - Lifeline Damage**

**WIRE ROPE:** Inspect wire rope for cuts, kinks, broken wires, bird-caging, welding splatter, corrosion, chemical contact areas, or severely abraded areas. Slide the cable bumper up and inspect ferrules for cracks or damage and inspect the wire rope for corrosion and broken wires.

**NOTE:** Replace the wire rope assembly if there are six or more randomly distributed broken wires in one lay, or three or more broken wires in one strand in one lay. A "lay" of wire rope is the length of wire rope it takes for a strand (the larger groups of wires) to complete one revolution or twist along the rope. Replace the wire rope assembly if there are any broken wires within 1 inch (25mm) of the ferrules.

A	Kinked wire rope
B	Broken wires
C	Bird-caging
D	Welding spatter

**WARNING:** Do not tie or knot lifeline. Avoid lifeline contact with sharp or abrasive surfaces. Inspect lifeline frequently for cuts, fraying, burns, or signs of chemical damage. Dirt, contaminants, and water can lower dielectric properties of the lifeline. Use caution near power lines.

Inspect each system component or subsystem according to manufacturer's instructions.

Record inspection results in the inspection log.

**Unsafe or Defective Conditions:** If inspection reveals an unsafe or defective condition, remove the Sealed-Blok™ SRL from service immediately and contact an authorized service center for repair.

**NOTE:** Only Capital Safety or parties authorized in writing may make repairs to this equipment. (Excludes FAST-Line™ procedure).

**Figure 6 - i-Safe™ RFID TAG**

**I-SAFE™ RFID TAG:** The Sealed-Blok™ SRL includes an i-Safe™ Radio Frequency Identification (RFID) tag. The RFID tag can be used in conjunction with the i-Safe handheld reading device and web based portal to simplify inspection and inventory control and provide records for your fall protection equipment. If you are a first-time user, contact a Capital Safety Customer Service representative (see back cover); or if you have already registered, go to [www.capitalsafety.com/isafe.html](http://www.capitalsafety.com/isafe.html). Follow the instructions provided with your i-Safe handheld reader or on the web portal to transfer your data to your web log.

**Figure 7 - L x W x H / Kg (lbs)**

Model	L x W x H / Weight
3400950, 3400951	33.8 cm x 26.4 cm x 15.5 cm (13.3" x 11.5" x 9.4") / 14.5 Kg (32 lbs)
3400866, 3400867	38.6 cm x 30.5 cm x 17.8 cm (15.2" x 12.0" x 7.0") / 19.8 Kg (43.6 lbs)
3400971, 3400972	42.7 cm x 35.6 cm x 20.3 cm (16.8" x 14.0" x 8.0") / 26.6 Kg (58.7 lbs.)
3400656, 3400657, 3400658	42.7 cm x 35.6 cm x 31.2 cm (16.8" x 14.0" x 12.3") / 56.5 Kg (124.6 lbs.)

**MAINTENANCE, SERVICE, AND STORAGE**

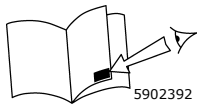
- Periodically clean the exterior of the SRL using water and a mild soap solution. Position the SRL so excess water can drain out. Clean labels as required.
- Clean lifeline with water and mild soap solution. Rinse and thoroughly air dry. Do not force dry with heat. An excessive buildup of dirt, paint, etc. may prevent the lifeline from fully retracting back into the housing causing a potential free fall hazard. Replace lifeline if excessive buildup is present.
- Additional maintenance and servicing procedures must be completed by an authorized service center. Do not attempt to disassemble the SRL (excludes FAST-Line™ procedure; please refer to FAST-Line™ manual 5903076). NOTE: Do not lubricate any parts.
- Store SRL in a cool, dry, clean environment out of direct sunlight. Avoid areas where chemical vapors may exist. Thoroughly inspect the SRL after any period of extended storage.

**Materials**

Lifeline (Galvanized)	3/16in. dia., 7x19 aircraft wire rope, 4,200 lbs. (16.68 kN) minimum tensile strength
Lifeline (Stainless Steel)	3/16in. dia., 7x19 aircraft wire rope, 3,600 lbs. (16.01 kN) minimum tensile strength
Cable Guide	Nylon
Housing	Cast Aluminum
Cable Bumper	Urethane
Housing Cover	Stainless Steel
Anchorage Handle	Stainless Steel
Fasteners	Stainless Steel
Main Shaft	Stainless Steel
Locking Pawls	Stainless Steel
Ratchet Center	Carbon Steel
Motor Spring	Carbon Steel
Finish Paint	Polyester Baked finish
Connecting Hook (Plated Steel)	Forged Alloy Steel
Connecting Hook (Stainless Steel)	Stainless Steel

**AVANT-PROPOS :** cette notice décrit la procédure d'installation et d'utilisation de la corde de sécurité autorétractable Sealed-Blok™. Elle doit être utilisée dans le cadre de la formation des employés, tel que requis par les normes CE.

**IMPORTANT :** avant d'utiliser cet équipement, consigner les informations d'identification du produit se trouvant sur l'étiquette d'installation et d'entretien sur la fiche d'identification à la fin du « Mode d'emploi et d'entretien général » (5902392).



**RENOIS GÉNÉRAUX AU GLOSSAIRE :** les renvois en blanc au glossaire de la page de couverture de cette notice correspondent aux éléments du Glossaire du « Mode d'emploi général d'utilisation et d'entretien » (5902392).



**RENOIS SPÉCIFIQUES AU GLOSSAIRE :** les renvois au glossaire figurant en noir sur la page de couverture de cette notice correspondent aux éléments suivants :

**1** : Corde de sécurité autorétractable Sealed-Blok™ **2** : Poignée d'ancrage **3** : Logement  
**4** : Corde de sécurité **5** : Butoir **6** : Bouton RSQ **7** : Guide de câble **8** : Étiquette d'identification  
**9** : Crochet à pression autobloquant

**FORMATION :** tous les utilisateurs de cet équipement sont tenus de comprendre les instructions et de suivre une formation pour installer, utiliser et maintenir correctement cet équipement. Ils doivent connaître les conséquences d'une installation ou d'une utilisation inappropriée de cet équipement. Ce manuel d'instruction n'est pas un substitut d'un programme de formation. La formation devrait être répétée sur une base régulière afin d'assurer l'efficacité des utilisateurs.

**DESCRIPTION :** Sealed-Blok™ les cordes de sécurité autorétractables procurent une protection antichute et assurent la mobilité des travailleurs dans un boîtier scellé conçu pour protéger les composants essentiels des saletés, de la graisse, de l'eau et des produits chimiques.

**OBJECTIF :** Sealed-Blok™ les cordes de sécurité autorétractables sont conçues pour être utilisées comme élément d'un système antichute personnel. Elles peuvent être utilisées dans la plupart des situations nécessitant le maintien de la mobilité du travailleur et sa protection en cas de chute (travail d'inspection, construction, maintenance, production pétrolière, travail en espace confiné, etc.). Certains modèles de cordes de sécurité autorétractables Sealed-Blok™ disposent d'une fonction de récupération intégrée. Ces modèles possèdent les mêmes capacités antichute que ceux décrits ci-dessus lorsqu'ils sont utilisés en mode non-récupération. En mode récupération, ces modèles peuvent être utilisés pour un sauvetage d'urgence (élévation ou abaissement) de personnes dans les limites de capacité mentionnées plus loin. Les modèles à récupération peuvent également être utilisés pour élever ou abaisser du matériel dans les limites de capacité mentionnées plus loin. D'autres modèles de corde de sécurité autorétractable Sealed-Blok™ incluent la fonction de descente contrôlée DBI-SALA RSQ pour l'autosauvetage/la descente ou le sauvetage assisté. Voir les manuels 5903079 (corde de sécurité autorétractable avec récupération Sealed-Blok™) et 5903078 (corde de sécurité autorétractable Sealed-Blok™) de Capital Safety.

**LIMITES :** il est indispensable de respecter les limites suivantes lors de l'installation et de l'utilisation de cet équipement :

- **STRUCTURE :** la structure à laquelle la corde de sécurité autorétractable Sealed-Blok™ est installée doit être capable de supporter les charges appliquées par le système en cas de chute (voir la section *Caractéristiques du système*).
- **CAPACITÉ DU SYSTÈME :** les cordes de sécurité autorétractables Sealed-Blok™ sont conçues pour être utilisées par des personnes dont le poids combiné (personne, vêtements, outils, etc.) est compris entre 34 kg et 140,6 kg. Certaines unités ont une capacité de 190,5 kg. Se reporter à l'étiquette d'instructions pour déterminer la capacité de l'unité. Il ne peut y avoir, à aucun moment, plus d'une personne connectée à une SRL dans toute application antichute.
- **RISQUES LIÉS À L'ENVIRONNEMENT DE TRAVAIL :** l'utilisation de cet équipement dans des zones de dangers environnementaux peut exiger de prendre des précautions additionnelles afin d'éviter que l'utilisateur ne se blesse ou que l'équipement ne subisse des dommages. Les risques peuvent comprendre, notamment et sans limitation : la chaleur intense causée par la soudure ou le découpage des métaux ; les produits chimiques caustiques ; l'eau de mer ; les lignes électriques à haute tension ; les gaz toxiques ou explosifs ; la machinerie en déplacement ; les rebords tranchants.
- **COMPATIBILITÉ DES COMPOSANTS :** la corde de sécurité autorétractable est conçue pour être utilisée avec des composants et des sous-systèmes approuvés par Capital Safety (voir la section *Caractéristiques du système*). L'utilisation de composants et de sous-systèmes non approuvés peut compromettre la compatibilité de l'équipement ainsi que la sécurité et la fiabilité du système dans son ensemble.

**IMPORTANT :** la corde de sécurité autorétractable Sealed-Blok™ ne doit pas être associée à un autre système ou sous-système antichute, sauf avec l'autorisation de Capital Safety.

- **VITESSE DE BLOCAGE :** les situations qui ne permettent pas un chemin de chute non obstrué doivent être évitées. Travailler dans des espaces confinés ou restreints ne permet pas toujours au corps d'atteindre une vitesse suffisante pour que la corde de sécurité autorétractable se verrouille en cas de chute. Travailler sur des matériaux légèrement instables, comme le sable ou le gravier, peut également ne pas permettre une vitesse suffisante pour entraîner le verrouillage de la corde de sécurité autorétractable. Un environnement dégagé est indispensable pour assurer un verrouillage correct de la SRL.

**CARACTÉRISTIQUES DU SYSTÈME :** prévoir l'implantation du système antichute et son utilisation avant le début de l'intervention. Considérer tous les facteurs qui affecteraient la sécurité avant, durant et après une chute. Penser notamment aux considérations suivantes lors de la préparation du système :



- **SUPPORT DU CORPS** : un harnais intégral doit être utilisé avec la corde de sécurité autorétractable Sealed-Blok™. Le point de raccordement du harnais doit être situé au-dessus du centre de gravité de l'utilisateur. Ne pas utiliser de ceinture de travail avec la corde de sécurité autorétractable. En cas de chute avec une ceinture de sécurité, une ouverture accidentelle peut se produire, avec une éventuelle asphyxie, en raison d'un support du corps inapproprié. Aucune modification de l'équipement ou des composants du système n'est autorisée sans le consentement écrit de Capital Safety.
- **COMPATIBILITÉ DES COMPOSANTS** : sauf mention contraire, l'équipement Capital Safety est destiné à être utilisé uniquement avec des composants et des sous-systèmes homologués par Capital Safety. La substitution ou le remplacement de pièces par des composants ou des sous-composants non approuvés peut affecter la compatibilité de l'équipement ainsi que la sécurité et la fiabilité de l'ensemble du système :
  - Systèmes horizontaux : dans les applications utilisant une corde de sécurité autorétractable en conjonction avec un système horizontal (c'est-à-dire avec des poutres en I et des chariots horizontaux), celle-ci doit être compatible avec les composants du système horizontal.
  - Systèmes de récupération : lors de l'utilisation de cordes de sécurité autorétractables Capital Safety avec un système de récupération optionnel, s'assurer que la structure de support (c'est-à-dire le trépied ou le bras à davier) soit compatible avec la connexion à la corde de sécurité, ainsi qu'avec son mode opératoire, sa stabilité et sa force.
- **DISTANCE DE CHUTE** : s'assurer qu'il existe suffisamment d'espace sur le chemin de chute pour éviter de heurter un objet pendant une chute. Une distance minimale de 1,8 m est conseillée entre le niveau de travail et le niveau inférieur ou l'obstruction la plus proche.

## INSTALLATION

**Planification** : planifier le système antichute avant de commencer à travailler. Prendre en compte tous les facteurs qui pourraient affecter la sécurité avant, pendant et après une chute. Prendre en considération toutes les caractéristiques et limites du système.

**Ancre** : sélectionner un endroit d'ancrage impliquant le plus petit risque possible de chute libre ou de chute balancée. Choisir un point d'ancrage rigide capable de soutenir les charges statiques.

**Figure 2 - Ancrage et raccords**

A	Ancrage
B	Connecteur
C	Connecteur d'ancrage
D	Support de montage (le cas échéant)
E	Jambe du trépied

## FONCTIONNEMENT

**AVERTISSEMENT** : ne pas modifier ou utiliser l'équipement pour une application à laquelle il n'est pas destiné. Consulter Capital Safety en cas d'utilisation de ce matériel avec d'autres composants ou sous-systèmes autres que ceux décrits dans ce manuel. Certaines combinaisons de sous-systèmes et de composants peuvent gêner le fonctionnement de cet équipement. Utiliser ce matériel avec précaution en cas de proximité avec des engins en mouvement, des dangers électriques, des dangers chimiques et des arêtes vives. Ne pas enrouler la corde de sécurité autour d'éléments structurels de petit diamètre.

**AVERTISSEMENT** : consulter votre médecin en cas de doute sur votre capacité à supporter le choc du système antichute. L'âge et la condition physique affectent sérieusement la capacité d'un travailleur à résister aux chutes. Les femmes enceintes ou les personnes mineures ne doivent pas utiliser les cordes de sécurité autorétractables de Capital Safety.

**Avant chaque utilisation** : avant chaque utilisation de cet équipement de protection antichute, effectuer une inspection minutieuse afin de s'assurer qu'il est en bon état de fonctionnement. Effectuer un contrôle pour détecter toute pièce usée ou endommagée. Vérifier que tous les boulons sont présents et serrés. Vérifier que la corde de sécurité se rétracte correctement en la tirant et en lui permettant de se rétracter lentement. S'il y a la moindre hésitation dans la rétractation, l'appareil doit être renvoyé à un centre de réparation agréé pour entretien. Inspecter la corde afin de détecter les traces de coupure, usure, brûlure, déformation et corrosion éventuelles. Vérifier l'action de verrouillage en tirant brusquement sur la corde. Ne pas utiliser l'équipement si l'inspection indique un état dangereux.

**Après une chute** : tout équipement ayant été soumis aux forces d'arrêt d'une chute ou qui présente des signes de dommages compatibles avec les effets des forces d'arrêt de chute doit être retiré du service immédiatement et envoyé à un centre de réparation agréé.

**Support du corps** : un harnais de sécurité intégral doit être porté lors de l'utilisation de cordes de sécurité autorétractables Capital Safety. Pour une protection antichute générale, raccorder la corde à l'anneau en D (dorsal). Dans certaines situations, comme l'escalade d'une échelle, il peut se révéler utile de l'attacher à l'avant du harnais. Cela est approprié dans les cas où la chute libre potentielle est très courte et où la remise sur pied est facilement rétablie.

**IMPORTANT** : ne pas utiliser de ceinture de travail pour les applications de chute libre.

**Raccordement** : en cas d'utilisation d'un crochet pour effectuer un raccordement, vérifier qu'un déroulement ne peut pas se produire. Ne pas utiliser de crochets ou de connecteurs qui ne se ferment pas complètement sur l'élément de fixation. Utiliser exclusivement des crochets auto-bloquants. La surface de montage doit être conforme aux exigences de résistance d'ancrage. Suivre les instructions du fabricant fournies avec chaque composant du système.

**Figure 3 - Utilisation**

A	Ancrage
B	Connecteur
C	Connecteur d'ancrage
D	Corde de sécurité autorétractable
E	Harnais

**Fonctionnement :** inspecter la corde de sécurité autorétractable comme indiqué. Raccorder la corde de sécurité autorétractable à un point d'ancrage ou à connecteur approprié, comme indiqué précédemment. Raccorder le crochet à pression autobloquant à la fin de la corde de sécurité au point d'attache pour système antichute (harnais intégral). Voir la figure 3. Les raccords doivent être compatibles en termes de taille, de forme et de résistance. Vérifier que le crochet est fermé et verrouillé. Une fois attaché, le travailleur est libre de circuler à l'intérieur de la zone de travail recommandée à une vitesse normale. En cas de chute, la corde SRL se bloque et arrête la chute. À l'issue du sauvetage, ne plus utiliser la corde SRL. Lors de l'utilisation d'une corde de sécurité autorétractable, toujours laisser la corde revenir en arrière dans le dispositif. Un câble stabilisateur court peut être nécessaire pour dérouler ou rétracter la corde de sécurité durant la connexion et la déconnexion. Si la corde de sécurité autorétractable est inutilisée pendant de longues périodes, l'utilisation d'un câble stabilisateur est recommandée afin de permettre à la corde de se rétracter entièrement dans le boîtier. En fonction de l'environnement et des conditions de travail, il peut être nécessaire de retenir le bout libre du câble stabilisateur afin d'éviter toute interférence ou tout enchevêtrement avec l'équipement ou les machines.

**Descente contrôlée RSQ et récupération :** la corde de sécurité autorétractable Sealed-Blok™ peut être achetée avec les fonctions de descente contrôlée RSQ et de récupération, permettant d'utiliser la corde de sécurité autorétractable pour l'autosauvetage (RSQ), le sauvetage assisté (récupération ou RSQ) et le levage de matériaux (récupération). Des instructions séparées concernant l'opérateur de récupération de corde de sécurité autorétractable et l'opérateur de descente contrôlée RSQ de corde de sécurité autorétractable sont incluses avec les Shuttles Sealed-Blok™ équipés de ces fonctions.

**Système DBI-SALA FAST-Line™ :** cette unité est équipée du système FAST-Line™ de DBI-SALA, qui permet le remplacement rapide et aisé d'une corde de sécurité par une personne compétente formée et agréée par Capital Safety. Ne pas essayer de remplacer la corde de sécurité sans instructions spécifiques préalables. Contacter Capital Safety pour obtenir davantage d'informations à propos de FAST-Line™. Se reporter au manuel 5903076 Rév. A de FAST-Line™.

**AVERTISSEMENT :** dans la plupart des cas, le remplacement de la corde de sécurité ne peut être considéré comme un entretien complet. Une inspection complète de l'unité doit être effectuée par une personne compétente. Si l'indicateur d'impact du mousqueton montre des signes d'activation (voir la figure 4), l'unité doit être remplacée et subir un entretien complet comprenant le frein et les autres composants de sécurité internes. Si l'indicateur d'impact est activé mais que l'unité n'a pas été utilisée pour arrêter une chute (une situation de récupération, par exemple), il est acceptable de ne remplacer que la corde de sécurité tant que le reste de l'unité passe le test d'inspection.

## INSPECTION

**FRÉQUENCE D'INSPECTION :** pour assurer un fonctionnement sûr et efficace, la corde de sécurité autorétractable doit être inspectée selon les intervalles de temps suivants :

- **Avant chaque utilisation :** inspecter l'équipement avant chaque utilisation et repérer les éventuels défauts conformément à cette instruction.
- **Inspection annuelle :** une inspection formelle de la corde de sécurité autorétractable doit être effectuée par une personne qualifiée<sup>1</sup> autre que l'utilisateur. Des inspections plus fréquentes effectuées par une personne compétente peuvent être requises en fonction de la nature et de la rudesse des conditions de travail pouvant affecter l'équipement, ainsi que les modes d'utilisation et le temps d'exposition de l'équipement. Consigner les résultats dans le journal d'inspection et de maintenance. Les dates des entretiens annuels sont indiquées sur la plaque d'identification de la corde de sécurité autorétractable.

**IMPORTANT :** des conditions de travail extrêmes (environnement hostile, utilisation prolongée, etc.) peuvent nécessiter des inspections plus fréquentes.

- **Après une chute :** inspecter l'indicateur de charge conformément à la figure 4 et aux instructions de la corde de sécurité autorétractable.

**Directives d'inspection :** afin de garantir un fonctionnement sûr et efficace, la corde de sécurité autorétractable Sealed-Blok™ doit être inspectée conformément aux instructions du Table 1 aux fréquences indiquées.

**IMPORTANT :** enregistrer les résultats de l'inspection dans le journal d'inspection et de maintenance.

**IMPORTANT :** des conditions de travail extrêmes (environnement hostile, utilisation prolongée) peuvent nécessiter des inspections plus fréquentes.

**IMPORTANT :** seul Capital Safety ou les parties autorisées par écrit sont en droit d'effectuer des réparations sur cet équipement.

<sup>1</sup> Une personne capable d'identifier des dangers existants et prévisibles dans un environnement ou des conditions de travail non hygiéniques, dangereux pour les employés, et disposant des autorisations pour prendre des mesures rapides pour les éliminer.

**Table 1 – Programme d'inspections**

Composant	Inspection	Avant chaque utilisation	Chaque année	Après une chute
SRL (figure 1)	Inspecter la corde SRL pour détecter les boulons desserrés et les pièces pliées ou endommagées.	X	X	X
	Inspecter le logement du dispositif pour détecter des déformations, des craquelures ou d'autres dommages.	X	X	X
	La corde de sécurité doit se dérouler et se rétracter entièrement sans hésitation et sans relâchement.	X	X	X
	Vérifier que le dispositif se bloque lorsque la corde de sécurité est secouée violemment. Le blocage doit être franc, sans aucun glissement (mode RSQ). *	X	X	X
	Les étiquettes doivent être présentes et parfaitement lisibles.	X	X	X
	Rechercher des traces de corrosion éventuelles sur l'ensemble du dispositif.	X	X	X
Raccordement du mousqueton et de l'indicateur d'impact (figure 4)	Inspecter les crochets de raccordement pour y détecter des signes de dégâts et de corrosion et pour vérifier leur fonctionnement. L'émerillon doit pivoter librement. Inspecter l'indicateur d'impact conformément à la figure 4.	X	X	X
Câble métallique (figure 5)	Inspecter le câble métallique pour détecter des coupures, pliures, cassures, nids de fils brisés, éclaboussures de soudage, corrosion, zones ayant été en contact avec des produits chimiques ou sérieusement érodées. Faire glisser le butoir du câble vers le haut et inspecter les bagues pour détecter les fissures ou dommages, et inspecter les câbles pour vérifier qu'il n'y a pas de corrosion ni de câbles déchirés.	X	X	X
Composants de récupération	Le cas échéant, inspecter les composants de récupération de la corde de sécurité autorétractable conformément aux procédures définies dans les instructions de l'opérateur de récupération - corde de sécurité autorétractable incluses (5903079).	X	X	X
Composants de descente contrôlée RSQ	Le cas échéant, inspecter les composants de descente contrôlée RSQ de la corde de sécurité autorétractable conformément aux procédures définies dans les instructions de l'opérateur de descente contrôlée RSQ- corde de sécurité autorétractable incluses (5903080).	X	X	X

\* Sauf tel qu'indiqué dans le fonctionnement correct du dispositif lorsqu'il est utilisé en mode RSQ.

**Figure 4 – Indicateur d'impact**

**INDICATEUR D'IMPACT :** pour inspecter l'indicateur d'impact, rechercher la bandelette de couleur exposée sur le mousqueton comme indiqué sur la figure 4. Si le crochet est en « mode indiqué », un impact de charge a eu lieu. Les cordes SRL ayant subi un impact de charge doivent être mises hors service et inspectées. Ne pas essayer de réinitialiser l'indicateur d'impact. Il doit pour cela être retourné à un centre de réparation agréé.

**REMARQUE :** l'émerillon ne tourne pas librement en « mode indiqué ».

A	Bandelette rouge
B	Mode normal
C	Mode indiqué

**Figure 5 – Corde de sécurité endommagée**

**CÂBLE MÉTALLIQUE :** inspecter le câble métallique pour détecter des coupures, pliures, cassures, nids de fils brisés, éclaboussures de soudage, corrosion, zones ayant été en contact avec des produits chimiques ou sérieusement érodées. Faire glisser le butoir du câble vers le haut et inspecter les bagues pour détecter les fissures ou dommages, et inspecter les câbles pour vérifier qu'il n'y a pas de corrosion ni de câbles déchirés.

**REMARQUE :** le câble métallique doit être remplacé si six fils ou plus sont cassés à divers endroits sur un commettage, ou si trois fils ou plus sont cassés sur un toron sur le même commettage. Un « commettage » de câble métallique est la longueur de câble nécessaire pour permettre à un toron (le groupe de câbles plus grand) de faire un tour le long du câble. Remplacer le câble en cas de déchirures à moins de 25 mm des bagues.

A	Câble métallique plié
B	Fils cassés
C	Nids de fils brisés
D	Éclaboussures de soudage

**AVERTISSEMENT** : ne pas attacher ni nouer la corde de sécurité. Éviter de mettre la corde de sécurité en contact avec des surfaces pointues ou abrasives. Inspecter fréquemment la corde de sécurité pour y détecter des coupures, effilochages, brûlures ou traces de dommage chimique. La saleté, les agents contaminants et l'eau peuvent affecter les propriétés diélectriques de la corde de sécurité. Faire preuve de prudence à proximité des lignes électriques.

Inspecter chaque composant du dispositif et chaque sous-système conformément aux instructions du fabricant.

Consigner les résultats dans le journal d'inspection.

**États Dangereux ou Défectueux** : si l'inspection effectuée fait apparaître un défaut ou un danger, retirer immédiatement la corde SRL Sealed-Blok™ du service et contacter un centre de réparation agréé.

**REMARQUE** : seul Capital Safety ou les parties autorisées par écrit sont habilitées à effectuer des réparations sur ce matériel. (À l'exception de la procédure FAST-Line™.)

### Figure 6 - Étiquette RFID i-Safe™

**ÉTIQUETTE RFID I-SAFE™** : la corde SRL Sealed-Blok™ inclut une étiquette d'identification par radiofréquence (RFID) i-Safe™. En liaison avec le lecteur portable i-Safe et le portail Internet, l'étiquette RFID permet de simplifier l'inspection et le contrôle des stocks et de conserver les informations concernant votre équipement de protection antichute. Les nouveaux utilisateurs doivent s'adresser à un représentant du service à la clientèle Capital Safety (voir au verso) ou, s'ils sont déjà enregistrés, consulter la page : [www.capitalsafety.com/isafe.html](http://www.capitalsafety.com/isafe.html). Suivre les instructions fournies sur le dispositif de lecture portable i-Safe ou sur le portail Internet pour transférer les données sur le journal Internet.

### Figure 7 - L x W x H / Kg (lbs)

Modèles	L x W x H / Kg (lbs)
3400950, 3400951	33.8 cm x 26.4 cm x 15.5 cm (13.3" x 10.4" x 6.1") / 12.2 Kg (27 lbs)
3400866, 3400867	38.6 cm x 30.5 cm x 17.8 cm (15.2" x 12.0" x 7.0") / 19.8 Kg (43.6 lbs)
3400971, 3400972	42.7 cm x 35.6 cm x 20.3 cm (16.8" x 14.0" x 8.0") / 26.6 Kg (58.7 lbs.)
3400656, 3400657, 3400658	42.7 cm x 35.6 cm x 31.2 cm (16.8" x 14.0" x 12.3") / 56.5 Kg (124.6 lbs.)

### ENTRETIEN, RÉVISION ET STOCKAGE

- Nettoyer périodiquement l'extérieur de la corde SRL avec de l'eau et un détergent doux. Positionner la corde de sécurité autorétractable de façon à ce que l'eau puisse s'écouler. Nettoyer les étiquettes si nécessaire.
- Nettoyer la corde de sécurité avec de l'eau et un détergent doux. Rincer et bien sécher à l'air. Ne pas sécher à l'aide d'une source de chaleur. Une accumulation excessive de saletés, de peinture, etc. peut empêcher la corde de sécurité de se rétracter complètement dans le logement et entraîner un risque de chute libre. Remplacer la corde de sécurité en cas d'accumulation excessive.
- Les procédures additionnelles d'entretien et de réparation doivent être effectuées par un centre de réparation agréé. Ne pas essayer de démonter la corde SRL (à l'exception de la procédure FAST-Line™ ; voir le manuel FAST-Line™ 5903076). REMARQUE : ne pas lubrifier les pièces.
- Entreposer la corde SRL dans un endroit frais, sec et propre, à l'abri des rayons directs du soleil. Éviter les lieux où il y a des vapeurs chimiques. Inspecter soigneusement la corde SRL après toute période de rangement prolongée.

**Matériaux**

Corde de sécurité (galvanisée)	Diamètre de 4,76 mm, câble métallique d'avion de 7x19, 16,68 kN minimum de résistance à la traction
Corde de sécurité (acier inoxydable)	Diamètre de 4,76 mm, câble d'acier d'avion de 7x19, 16,01 kN minimum de résistance à la traction
Guide de câble	Nylon
Boîtier	Aluminium moulé
Amortisseur de câble	Uréthane
Couvercle du boîtier	Acier inoxydable
Poignée d'ancrage	Acier inoxydable
Fixations	Acier inoxydable
Arbre principal	Acier inoxydable
Cliquets de verrouillage	Acier inoxydable
Centre du cliquet	Acier au carbone
Ressort moteur	Acier au carbone
Finition peinture	Finition cuite au four polyester
Crochet de connexion (acier zingué)	Alliage d'acier forgé
Crochet de connexion (acier inoxydable)	Acier inoxydable

**PREMESSA:** queste istruzioni illustrano l'installazione e l'uso del cavo di sicurezza autoretrattile Sealed-Blok™ Self Retracting Lifeline (SRL). Devono essere impiegate nell'ambito di un programma di formazione dei dipendenti, come richiesto dalle direttive CE.

**IMPORTANTE:** prima di utilizzare questa attrezzatura, occorre riportare le informazioni identificative del prodotto dall'etichetta di installazione e assistenza nella Scheda d'identificazione dell'attrezzatura sul retro delle "Istruzioni generali per l'uso e la manutenzione" (5902392).



**RIQUADRI GENERALI DI RIFERIMENTO AL GLOSSARIO:** i riquadri bianchi di riferimento al glossario riportati sulla copertina anteriore di questo manuale fanno riferimento agli elementi del "Glossario" delle "Istruzioni generali per l'uso e la manutenzione" (5902392).



**RIQUADRI SPECIFICI DI RIFERIMENTO AL GLOSSARIO:** i riquadri neri di riferimento al glossario riportati sulla copertina anteriore di questo manuale fanno riferimento agli elementi riportati di seguito.

**1:** Sealed-Blok™ SRL **2:** Impugnatura di ancoraggio **3:** Alloggiamento **4:** Cavo di sicurezza  
**5:** Paraurti **6:** Manopola di innesto RSQ **7:** Passacavo **8:** Etichetta identificativa  
**9:** Gancio a scatto autobloccante

**FORMAZIONE:** spetta agli utenti dell'attrezzatura leggere e comprendere le relative istruzioni e addestrarsi all'installazione, all'uso e alla manutenzione corretti. Gli utenti devono essere consapevoli delle conseguenze di un'installazione o di un uso errati dell'attrezzatura. Questo manuale di istruzioni non sostituisce un programma di formazione. La formazione deve essere fornita periodicamente per garantire la competenza degli utenti.

**DESCRIZIONE:** Sealed-Blok™ SRL fornisce protezione da cadute e mobilità del lavoratore in un ambiente sigillato progettato appositamente per impedire che sporcizia, grasso, acqua e prodotti chimici compromettano i componenti più importanti.

**SCOPO:** i cavi di sicurezza autoretrattili Sealed-Blok™ sono ideati per far parte di sistemi anticaduta personali. Possono essere utilizzati nella maggior parte delle situazioni in cui la mobilità del lavoratore e la protezione dalle cadute siano necessarie congiuntamente (lavoro di ispezione, costruzioni, manutenzione, produzione petrolifera, lavoro in spazi ristretti ecc.). Alcuni modelli di Sealed-Blok™ SRL sono dotati di una funzione di recupero integrata. Questi modelli hanno la stessa capacità di arresto degli altri quando sono usati non in modalità recupero. In modalità recupero, questi modelli possono essere usati per salvataggi di emergenza (sollevamento o abbassamento) di personale entro il range di capacità indicato sotto. È inoltre permesso usare modelli di recupero per sollevare e abbassare materiali entro il range di capacità indicato. Altri modelli di Sealed-Blok™ SRL includono la funzione di discesa controllata DBI-SALA RSQ per l'autosalvataggio, la discesa o il salvataggio assistito. Vedere i manuali Capital Safety 5903079 (cavo di sicurezza autoretrattile Sealed-Blok™ con recupero) e 5903078 (cavo di sicurezza autoretrattile Sealed-Blok™).

**LIMITAZIONI:** l'installazione e l'utilizzo della presente attrezzatura sono soggetti alle seguenti limitazioni:

- **STRUTTURA:** la struttura sulla quale viene installato Sealed-Blok™SRL deve poter sostenere il carico impiegato dal sistema in caso di arresto della caduta (vedere *Requisiti del sistema*).
- **CAPACITÀ DEL SISTEMA:** Sealed-Blok™ SRL è progettato per essere impiegato da persone con un peso combinato (persona, abbigliamento, attrezzature ecc.) tra 34 kg e 140,6 kg. Alcune unità hanno una capacità di 190,5 kg. Consultare l'etichetta con le istruzioni per conoscere la capacità della propria unità. In nessun momento più di una persona dovrà collegarsi a un cavo SRL singolo per applicazioni anticaduta.
- **PERICOLI AMBIENTALI:** l'impiego di questa attrezzatura in aree con rischi ambientali può richiedere ulteriori precauzioni per ridurre la possibilità di lesioni all'utente o danni all'attrezzatura. Tra i rischi possono essere compresi i seguenti, pur non limitandosi a questi: calore elevato provocato dalla saldatura o dal taglio di metalli, sostanze chimiche caustiche, acqua di mare, linee ad alta tensione, gas tossici o esplosivi, macchinari in movimento o bordi taglienti.
- **COMPATIBILITÀ DEI COMPONENTI:** il cavo SRL è progettato solo per l'impiego con componenti e sottosistemi approvati da Capital Safety (vedere *Requisiti del sistema*). L'impiego di componenti e sottosistemi non approvati potrebbe compromettere la compatibilità dell'attrezzatura e influire negativamente sulla sicurezza e l'affidabilità offerte dal sistema completo.

**IMPORTANTE:** Sealed-Blok™SRL non deve essere impiegato in combinazione con altri sistemi o sottosistemi di protezione anticaduta, se non altrimenti indicato da Capital Safety.

- **VELOCITÀ DI ARRESTO:** evitare situazioni che non consentono una traiettoria di caduta libera. Lavorare in spazi stretti o bloccati potrebbe impedire il raggiungimento della velocità di arresto adeguata del cavo SRL in caso di caduta. Lavorare su materiali a lento spostamento, come sabbia o sementi, potrebbe impedire il raggiungimento della velocità di arresto adeguata per bloccare il cavo SRL. È necessaria una traiettoria sgombra per garantire l'efficacia dell'arresto del cavo SRL.

**REQUISITI DEL SISTEMA:** pianificare il sistema di protezione anticaduta e il suo impiego prima di iniziare a servirsene. Considerare tutti i fattori che possono influire sulla propria sicurezza prima, durante e dopo una caduta. Tenere conto dei seguenti importanti punti durante la pianificazione del sistema:

- **SUPPORTO PER IL CORPO:** per utilizzare Sealed-Blok™ SRL è necessario indossare una imbracatura integrale. Il punto di collegamento dell'imbracatura deve trovarsi al di sopra del centro di gravità dell'operatore. Durante l'utilizzo del cavo SRL non è consentito indossare cinture. In caso di caduta, l'impiego di un supporto per il corpo inadeguato come la cintura potrebbe provocare il rilascio involontario e portare all'eventuale soffocamento. Non sostituire l'attrezzatura o i componenti del sistema senza il consenso scritto di Capital Safety.
- **COMPATIBILITÀ DEI COMPONENTI:** salvo laddove diversamente indicato, l'equipaggiamento Capital Safety è progettato solo per l'utilizzo con componenti e sottosistemi approvati da Capital Safety. Eventuali sostituzioni con componenti o sottosistemi non approvati potrebbero compromettere la compatibilità delle apparecchiature e la sicurezza e l'affidabilità di tutto il sistema:
  - Sistemi orizzontali: nelle applicazioni dove un cavo SRL viene usato insieme a un sistema orizzontale (ovvero, travi a I e carrelli orizzontali), i componenti del sistema orizzontale e il cavo SRL devono essere compatibili.
  - Sistemi di recupero: quando si utilizza un cavo SRL Capital Safety con un sistema di recupero opzionale, assicurarsi che la struttura di supporto (ovvero, treppiede, braccio della gru) sia compatibile con la connessione del cavo SRL e con il funzionamento, la stabilità e la forza del cavo SRL.
- **TIRANTE D'ARIA DI CADUTA:** assicurarsi che esista adeguato spazio libero nella caduta per evitare di urtare un oggetto. Si consiglia un minimo di 1,8 m tra il livello di lavoro e il livello inferiore o l'ostruzione più vicina.

## INSTALLAZIONE

**Pianificazione:** pianificare il sistema di protezione anticaduta prima di iniziare i lavori. Considerare tutti i fattori che possono influire sulla propria sicurezza prima, durante e dopo una caduta. Considerare tutti i requisiti e le limitazioni del sistema.

**Ancoraggio:** selezionare una posizione dell'ancoraggio con rischio minimo di caduta libera e di caduta in oscillazione. Selezionare un punto di ancoraggio rigido capace di sostenere i carichi statici.

Figura 2 - Ancoraggio e connettori	
A	Ancoraggio
B	Connettore
C	Connettore di ancoraggio
D	Staffa di fissaggio (se presente)
E	Treppiede

## FUNZIONAMENTO

**AVVERTENZA:** questa attrezzatura non deve essere modificata o usata in modo deliberatamente non conforme. Rivolgersi a Capital Safety se si utilizza questa attrezzatura in combinazione con componenti o sottosistemi diversi da quelli descritti in questo manuale. Alcune associazioni di sottosistemi e componenti potrebbero compromettere il funzionamento di quest'attrezzatura. Prestare attenzione durante l'uso di questo equipaggiamento nei pressi di macchine in movimento, luoghi soggetti a rischi di carattere elettrico o chimico e bordi taglienti. Non avvolgere il cavo intorno a componenti strutturali di piccolo diametro.

**AVVERTENZA:** consultare un medico per accertarsi di essere fisicamente in grado di sopportare l'urto dovuto a un'eventuale caduta. L'età e la forma fisica possono ripercuotersi notevolmente sulla capacità di assorbire le cadute. Le donne in gravidanza o i minori non devono utilizzare i cavi di sicurezza autoretrattili Capital Safety.

**Prima di ciascun utilizzo:** prima di utilizzare l'attrezzatura anticaduta, ispezionarla attentamente per verificare che sia in condizioni idonee all'uso. Controllare che non vi siano parti usurate o danneggiate. Assicurarsi che tutti i bulloni siano presenti e ben fissati. Verificare che il cavo di sicurezza si riavvolga correttamente tirandolo e lasciando che si riavvolga lentamente. In caso di esitazione durante la fase di ritrazione, l'unità deve essere inviata a un centro autorizzato per l'assistenza. Verificare l'assenza di tagli, sfilacciate, bruciate, schiacciamenti e corrosioni. Controllare l'azione di bloccaggio tirando fermamente il cavo. Non utilizzarlo se l'ispezione rivela una condizione non sicura.

**Dopo una caduta:** qualsiasi attrezzatura sottoposta agli sforzi implicati dall'arresto di una caduta, o che mostri danni conformi all'effetto degli sforzi di arresto di una caduta, deve essere immediatamente ritirata dal servizio e inviata a un centro di assistenza autorizzato per la riparazione.

**Supporto per il corpo:** quando si utilizzano i cavi SRL Capital Safety è necessario indossare un'imbracatura integrale. Per un utilizzo generico di protezione anticaduta, collegare l'anello a D sul retro (dorsale). Per situazioni di salita su scale, può essere utile collegare il lato anteriore dell'imbracatura. Tale accorgimento è accettabile purché l'eventuale caduta libera sia molto breve e sia possibile mettere i piedi a terra facilmente.

**IMPORTANTE:** non utilizzare una cintura per applicazioni di caduta libera.

**Realizzazione dei collegamenti:** quando si utilizza un gancio per fare una connessione, assicurare che non si verifichino fuoriuscite. Non usare ganci o connettori che non si chiudono completamente sopra gli oggetti da agganciare. Non utilizzare ganci privi di bloccaggio automatico. La superficie di montaggio deve soddisfare i requisiti di forza di ancoraggio. Rispettare le istruzioni fornite dal produttore con ogni componente del sistema.

**Figura 3 - Utilizzo**

A	Ancoraggio
B	Connettore
C	Connettore di ancoraggio
D	Cavo di sicurezza autoretrattile
E	Imbracatura

**Funzionamento:** ispezionare il cavo SRL secondo istruzioni. Collegare il cavo SRL a un ancoraggio o connettore di ancoraggio adatto, come descritto in precedenza. Collegare il gancio a scatto autobloccante situato all'estremità del cavo di sicurezza all'attacco anticaduta (imbracatura integrale). Vedere la Figura 3. Accertarsi che i connettori siano di dimensioni, forma e forza compatibili. Assicurarsi che il gancio sia perfettamente chiuso e bloccato. Una volta attaccato, il lavoratore è libero di spostarsi all'interno delle aree di lavoro consigliate a velocità normale. Se si verifica una caduta, il cavo SRL si blocca e arresta la caduta. Dopo un salvataggio, rimuovere il cavo SRL dall'uso. Quando si lavora con un cavo SRL, consentire sempre al cavo di sicurezza di riavvolgersi nel dispositivo sotto controllo. Può essere necessario un cavo aggiuntivo per estendere o ritrarre il cavo di sicurezza durante le operazioni di connessione e disconnessione. Se il cavo SRL non viene utilizzato per periodi prolungati di tempo, l'uso del cavo aggiuntivo è consigliato per consentire al cavo di sicurezza di riavvolgersi completamente nell'alloggiamento. A seconda dell'ambiente e delle condizioni di lavoro, può essere necessario trattenere l'estremità libera del cavo aggiuntivo per evitare grovigli o interferenze con altre attrezzature o macchinari.

**Recupero e Discesa controllata RSQ:** è possibile acquistare Sealed-Blok™ SRL con funzioni opzionali di recupero e discesa controllata RSQ che consentono l'uso del cavo SRL per l'autosalvataggio (RSQ), il salvataggio assistito (recupero o RSQ) o il sollevamento di materiali (recupero). Le istruzioni per l'operatore del dispositivo di recupero del cavo SRL e le istruzioni per l'operatore del dispositivo di discesa controllata RSQ sono allegate a ogni Shuttle Sealed-Blok™ dotato di queste funzioni.

**Sistema FAST-Line™ DBI-SALA:** questa unità è dotata del sistema FAST-Line™ DBI-SALA che permette al personale competente, adeguatamente istruito e autorizzato da Capital Safety, di sostituire il cavo di sicurezza sul campo, facilmente e in poco tempo. Non cercare di sostituire il cavo di sicurezza senza prima aver ricevuto istruzioni specifiche. Per ulteriori informazioni su FAST-Line™, contattare Capital Safety. Consultare il manuale FAST-Line™ 5903076 Rev A.

**AVVERTENZA:** nella maggior parte dei casi, la sostituzione del cavo di sicurezza non può essere considerata una revisione completa. Un'ispezione esauriente dell'unità deve essere eseguita da personale competente. Se l'indicatore d'impatto sul gancio a scatto mostra segni di attivazione (vedere Figura 4), l'unità va rimossa da servizio e sottoposta a revisione completa, comprensiva del freno e degli altri componenti di sicurezza interni. Nel caso eccezionale in cui si sa per certo che l'indicatore d'impatto è stato attivato ma l'unità non è stata utilizzata per arrestare una caduta (per esempio, situazione di recupero), è accettabile sostituire soltanto il cavo di sicurezza, purché il resto dell'unità superi l'ispezione.

## ISPEZIONE

**FREQUENZA DI ISPEZIONE:** per garantire un funzionamento sicuro ed efficiente, ispezionare con la frequenza indicata di seguito:

- **Prima di ciascun utilizzo:** prima di ciascun utilizzo, verificare l'assenza di eventuali difetti sull'attrezzatura, attenendosi alle presenti istruzioni.
- **Ispezione annuale:** è necessario che un addetto competente<sup>1</sup> diverso dall'operatore completi un'ispezione formale del cavo SRL. Possono essere necessarie ispezioni più frequenti da parte di personale competente a seconda dell'avversità e delle condizioni dell'ambiente di lavoro che possono compromettere l'attrezzatura, oltre che delle modalità e dei tempi di utilizzo. Annotare i risultati nel registro di ispezione e manutenzione. Sulla placca identificativa del cavo SRL vengono riportate le date della manutenzione annuale.

**IMPORTANTE:** condizioni di lavoro estreme (ambiente proibitivo, uso prolungato ecc.) possono richiedere un incremento nella frequenza delle ispezioni.

- **Dopo una caduta:** ispezionare l'indicatore di carico come indicato nella Figura 4 e nelle istruzioni del cavo SRL.

**Linee guida per l'ispezione:** per garantire un funzionamento sicuro ed efficiente, ispezionare Sealed-Block™ SRL con la frequenza e secondo le istruzioni riportate nella Table 1.

**IMPORTANTE:** annotare i risultati nel registro di ispezione e manutenzione.

**IMPORTANTE:** condizioni estreme di lavoro (ambiente proibitivo, uso prolungato) possono richiedere un aumento della frequenza delle ispezioni.

**IMPORTANTE:** solo Capital Safety o centri dotati di autorizzazione scritta possono procedere alla riparazione di questa attrezzatura.

<sup>1</sup> Persona in grado di individuare rischi esistenti e prevedibili nell'ambiente circostante o condizioni di lavoro malsane, rischiose e pericolose per i dipendenti, autorizzata a prendere immediati provvedimenti per porvi rimedio.



**Table 1 - Programma di ispezione**

Componente:	Ispezione:	Prima di ciascun utilizzo	Ogni anno	Dopo una caduta
Cavo SRL (Figura 1)	Verificare che non presenti bulloni allentati e parti piegate o danneggiate.	X	X	X
	Verificare che l'alloggiamento non presenti parti distorte, crepe o altri danni.	X	X	X
	Il cavo di sicurezza deve disimpegnarsi e ritirarsi completamente senza esitazione o senza creare una condizione di cavo lasco.	X	X	X
	Assicurarsi che il dispositivo si blocchi quando il cavo di sicurezza viene tirato con forza. Il blocco deve essere deciso, senza slittamenti (modalità RSQ). *	X	X	X
	Le etichette devono essere presenti e perfettamente leggibili.	X	X	X
	Verificare l'assenza di corrosione sull'intera unità.	X	X	X
Gancio di connessione e indicatore d'impatto (Figura 4)	Ispezionare i ganci di connessione per verificare che non siano presenti segni di danni e corrosione e che funzionino correttamente. L'anello deve poter ruotare liberamente. Controllare l'indicatore di impatto seguendo le istruzioni della Figura 4.	X	X	X
Fune metallica (Figura 5)	Verificare che la fune metallica non presenti tagli, piegature, fili rotti, deformazioni a canestro, residui di saldature, corrosione, aree che sono entrate in contatto con sostanze chimiche o gravi abrasioni. Far scorrere il paraurti cavo e ispezionare gli anelli controllando che non presentino segni di rottura o danneggiamento e ispezionare la fune metallica per verificare se presenta corrosione e fili metallici rotti.	X	X	X
Componenti di recupero	Se presenti, ispezionare i componenti di recupero del cavo SRL secondo le procedure illustrate nelle Istruzioni per l'operatore del dispositivo di recupero del cavo SRL (5903079) allegate.	X	X	X
Componenti di discesa controllata RSQ	Se presenti, ispezionare i componenti di discesa controllata RSQ del cavo SRL secondo le procedure illustrate nelle Istruzioni per l'operatore del dispositivo di discesa controllata RSQ del cavo SRL (5903080) allegate.	X	X	X

\* Eccetto come descritto nel funzionamento corretto del dispositivo quando questo viene usato in modalità RSQ.

**Figura 4 - Indicatore d'impatto**

**INDICATORE D'IMPATTO:** per controllare l'indicatore d'impatto, verificare la presenza di un anello colorato esposto sul gancio, come mostrato nella Figura 4. Se il gancio è nella "modalità indicata", si è verificato un carico di impatto. I cavi SRL che sono stati sottoposti a un carico di impatto devono essere rimossi per l'ispezione. Non tentare di resettare l'indicatore di impatto. Rispedire a un centro di assistenza autorizzato per il ripristino.

**NOTA:** l'anello non gira liberamente nella "modalità indicata".

A	Anello rosso
B	Modalità normale
C	Modalità indicata

**Figura 5 - Danni al cavo di sicurezza**

**FUNE METALLICA:** verificare che la fune metallica non presenti tagli, piegature, fili rotti, deformazioni a canestro, residui di saldature, corrosione, aree che sono entrate in contatto con sostanze chimiche o gravi abrasioni. Far scorrere il paraurti cavo e ispezionare gli anelli controllando che non presentino segni di rottura o danneggiamento e ispezionare la fune metallica per verificare se presenta corrosione e fili metallici rotti.

**NOTA:** sostituire il gruppo fune metallica se ci sono sei o più fili metallici rotti casualmente distribuiti in un avvolgimento, o tre o più fili rotti nel trefolo di un avvolgimento. Un "avvolgimento" di una fune metallica è la lunghezza della fune metallica necessaria affinché un trefolo (i gruppi più grandi di fili) completi un giro o un attorcigliamento lungo la fune. Sostituire il gruppo fune metallica se ci sono fili rotti entro 25 mm dagli anelli.

A	Fune metallica piegata
B	Fili rotti
C	Deformazione a canestro
D	Residuo di saldatura

**AVVERTENZA:** non legare o annodare il cavo di sicurezza. Evitare che il cavo di sicurezza entri in contatto con superfici affilate o abrasive. Ispezionare frequentemente il cavo di sicurezza per verificare che non siano presenti tagli, sfilacciature, bruciature o segni di danni dovuti a sostanze chimiche. Lo sporco, i contaminanti e l'acqua possono limitare le proprietà dielettriche del cavo di sicurezza. Fare attenzione in prossimità di cavi elettrici.

Controllare tutti i componenti del sistema e il sistema ausiliario in base alle istruzioni del produttore.

Annotare i risultati dell'ispezione nell'apposito registro.

**Condizioni di Non sicurezza o Difetto:** se l'ispezione rivela una condizione di non sicurezza o difetto, rimuovere immediatamente il cavo SRL Sealed-Blok™ e contattare un centro di assistenza autorizzato per la riparazione.

**NOTA:** solo Capital Safety o centri con autorizzazione scritta possono procedere alla riparazione di questa attrezzatura (eccetto che per la procedura FAST-Line™).

### Figura 6 - Targhetta RFID i-Safe™

**TARGHETTA RFID I-SAFE™:** Sealed-Blok™ SRL comprende una targhetta i-Safe™ RFID (Radio Frequency Identification) per l'identificazione a radiofrequenza. La targhetta RFID può essere usata in combinazione con il dispositivo manuale di lettura i-Safe e il portale web sia per semplificare l'ispezione e il controllo dell'inventario, sia per fornire informazioni sull'attrezzatura anticaduta. Se si è un nuovo utente, rivolgersi a un rappresentante del Servizio Assistenza Clienti Capital Safety (vedere il retro copertina). Se si è già registrati, visitare il sito [www.capitalsafety.com/isafe.html](http://www.capitalsafety.com/isafe.html). Seguire le istruzioni fornite con il dispositivo manuale di lettura i-Safe o accessibili dal portale web per trasferire i dati nel proprio registro web.

### Figura 7 - L x W x H / Kg (lbs)

Modelli	L x W x H / Kg (lbs)
3400950, 3400951	33.8 cm x 26.4 cm x 15.5 cm (13.3" x 10.4" x 6.1") / 12.2 Kg (27 lbs)
3400866, 3400867	38.6 cm x 30.5 cm x 17.8 cm (15.2" x 12.0" x 7.0") / 19.8 Kg (43.6 lbs)
3400971, 3400972	42.7 cm x 35.6 cm x 20.3 cm (16.8" x 14.0" x 8.0") / 26.6 Kg (58.7 lbs.)
3400656, 3400657, 3400658	42.7 cm x 35.6 cm x 31.2 cm (16.8" x 14.0" x 12.3") / 56.5 Kg (124.6 lbs.)

### MANUTENZIONE, ASSISTENZA E STOCCAGGIO

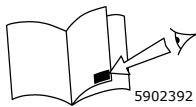
- Pulire periodicamente l'esterno del cavo SRL con acqua e un detergente neutro. Posizionare il cavo SRL in modo che l'acqua in eccesso possa essere espulsa. Pulire le etichette secondo necessità.
- Pulire il cavo di sicurezza con acqua e un detergente neutro. Risciacquare e asciugare accuratamente all'aria. Non asciugare applicando calore. Un accumulo eccessivo di sporco o vernice può impedire una ritrazione completa del cavo di sicurezza nell'alloggiamento causando un rischio di potenziale caduta libera. Sostituire il cavo di sicurezza se è presente un eccessivo accumulo.
- L'ulteriore manutenzione e gli ulteriori interventi devono essere effettuati da un centro di assistenza autorizzato. Non cercare di smontare il cavo SRL (eccetto che per la procedura FAST-Line™, nel qual caso è necessario consultare il manuale FAST-Line™ 5903076). NOTA: non lubrificare nessun elemento.
- Conservare il cavo SRL in un ambiente fresco, asciutto e pulito, lontano dalla luce diretta del sole. Evitare zone con vapori chimici. Ispezionare accuratamente il cavo SRL dopo un periodo di stoccaggio prolungato.

**Materiali**

Cavo di sicurezza (galvanizzato)	Diametro 4,76 mm, fune metallica aeronautica 7x19, resistenza minima alla tensione 16,68 kN
Cavo di sicurezza (acciaio inossidabile)	Diametro 4,76 mm, fune metallica aeronautica 7x19, resistenza minima alla tensione 16,01 kN
Passacavo	Nylon
Alloggiamento	Alluminio fuso
Paraurti cavo	Uretano
Rivestimento dell'alloggiamento	Acciaio inossidabile
Impugnatura di ancoraggio	Acciaio inossidabile
Dispositivi di fissaggio	Acciaio inossidabile
Albero principale	Acciaio inossidabile
Denti di arresto	Acciaio inossidabile
Cricchetto	Acciaio al carbonio
Molla motore	Acciaio al carbonio
Verniciatura finale	Rifinitura a fuoco in poliestere
Gancio di collegamento (acciaio ricoperto)	Acciaio legato forgiato
Gancio di collegamento (acciaio inossidabile)	Acciaio inossidabile

**VORWORT:** Die vorliegende Anweisung beschreibt die Installation und Verwendung des Sealed-Blok™-Höhensicherungsgeräts (HSG). Sie sollte als Teil des Mitarbeiter-Schulungsprogramms verwendet werden, wie von CE vorgeschrieben.

**WICHTIG:** Tragen Sie vor dem Einsatz dieser Ausrüstung die Informationen zur Produktidentifikation auf dem Installations- und Wartungsetikett in das Blatt zur Identifikation der Ausrüstung am Ende der „Gebrauchsanweisung und Wartungshinweise“ (5902392) ein.



**ALLGEMEINE GLOSSAR-HINWEISKÄSTCHEN:** Die weißen Bauteile-Hinweiskästchen auf dem Deckblatt dieser Anweisung beziehen sich auf „Glossar“-Begriffe im Dokument „Gebrauchsanweisung und Wartungshinweise“ (5902392).



**SPEZIFISCHE GLOSSAR-HINWEISKÄSTCHEN:** Die schwarzen Glossar-Hinweiskästchen auf dem Umschlag dieser Anweisung beziehen sich auf folgende Begriffe:

**1:** Sealed-Blok™-HSG **2:** Verankerungsgriff **3:** Gehäuse **4:** Sicherungsseil **5:** Puffer  
**6:** RSQ-Aktivierungsknopf **7:** Kabelführung **8:** ID-Etikett **9:** Selbstschließender Karabinerhaken

**SCHULUNG:** Es liegt in der Verantwortung des Anwenders dieser Ausrüstung, diese Anweisungen zu verstehen und eine Schulung für die korrekte Installation, Verwendung und Wartung dieser Ausrüstung zu erhalten. Anwender müssen sich der Folgen einer falschen Montage oder Verwendung dieser Ausrüstung bewusst sein. Diese Anweisung ist kein Ersatz für ein Schulungsprogramm. Eine regelmäßige Schulung ist erforderlich, damit die Befähigung des Anwenders stets gewährleistet ist.

**BESCHREIBUNG:** Sealed-Blok™ Höhensicherungsgeräte (HSG) bieten eine Absturzsicherung und gewährleisten die Beweglichkeit der Arbeiter. Sie verfügen über ein abgedichtetes Gehäuse, das wichtige Komponenten vor Schmutz, Fett, Wasser und Chemikalien schützen soll.

**ZWECK:** Sealed-Blok™ Höhensicherungsgeräte dienen als Bestandteil eines persönlichen Fallsicherungssystems (PFAS). Sie können in den meisten Situationen eingesetzt werden, in denen die uneingeschränkte Beweglichkeit der Arbeiter und eine Absturzsicherung notwendig sind (z. B. Inspektionsarbeiten, Bau, Wartungsarbeiten, Ölproduktion, Arbeiten in geschlossenen Räumen usw.). Einige Sealed-Blok™-HSG-Modelle weisen eine integrierte Bergungsfunktion auf. Diese Modelle besitzen beim Gebrauch im Nicht-Bergungsmodus die gleichen Absturzsicherungsfunktionen wie die oben beschriebenen Modelle. Im Bergungsmodus können diese Modelle zur Notrettung (Hebung oder Senkung) von Personen im nachfolgend angegebenen Kapazitätsbereich eingesetzt werden. Bergungsmodelle können auch zur Hebung und Senkung von Materialien innerhalb des angegebenen Kapazitätsbereichs eingesetzt werden. Andere Sealed-Blok™-HSG-Modelle beinhalten die DBI-SALA-RSQ-Funktion für kontrollierten Abstieg, die die Selbstrettung bzw. den Selbstabstieg oder die unterstützte Rettung ermöglicht. Siehe Capital Safety-Handbuch 5903079 (Sealed-Blok™-Höhensicherungsgerät mit Bergungsfunktion) und 5903078 (Sealed-Blok™-Höhensicherungsgerät).

**BEACHTEN SIE:** Für die Installation und den Einsatz dieser Ausrüstung gelten die folgenden Einschränkungen:

- **STRUKTUR:** Die Struktur, an der das Sealed-Blok™-HSG installiert wird, muss geeignet sein, den durch das System bei einem Absturz verursachten Lasten standzuhalten (siehe *Systemanforderungen*).
- **SYSTEMKAPAZITÄT:** Sealed-Blok™ Höhensicherungsgeräte sind für Personen mit einem kombinierten Gesamtgewicht (Körpergewicht, Bekleidung, Werkzeug usw.) von mindestens 34 kg und höchstens 140,6 kg vorgesehen. Einige Einheiten verfügen über eine Tragkraft von 190,5 kg. Die Tragkraft Ihrer Einheit finden Sie auf dem Etikett mit Anweisungen. Zu keinem Zeitpunkt darf mehr als eine Person an ein einzelnes HSG zur Absturzsicherung angebunden sein.
- **UMWELTGEFAHREN:** Die Verwendung dieser Ausrüstung in Bereichen mit Umweltgefahren kann zusätzliche Sicherheitsmaßnahmen erfordern, um die Verletzungsgefahr für den Anwender und Schäden an der Ausrüstung zu vermeiden. Zu diesen Gefahren zählen u. a.: große Hitze durch Schweißen oder Metallschneiden, ätzende Chemikalien, Meerwasser, Hochspannungsleitungen, explosive oder giftige Gase, bewegliche Maschinen, scharfe Kanten.
- **KOMPATIBILITÄT DER EINZELNEN KOMPONENTEN:** Das HSG ist auf die Verwendung mit Capital Safety-geprüften Komponenten und Teilsystemen ausgelegt (siehe *Systemanforderungen*). Die Verwendung nicht zulässiger Komponenten und Teilsysteme kann die Kompatibilität der Ausrüstung gefährden und die Sicherheit und Zuverlässigkeit des gesamten Systems beeinträchtigen.

**WICHTIG:** Das Sealed-Blok™-HSG darf nicht in Verbindung mit einem anderen Absturzsicherungssystem oder Teilsystem verwendet werden, es sei denn, dies wurde von Capital Safety autorisiert.

- **BLOCKIERGESCHWINDIGKEIT:** Eine ungehinderte Fallstrecke sollte stets gewährleistet sein. Bei der Arbeit auf beschränktem oder beengtem Raum kann der Körper eventuell keine ausreichende Geschwindigkeit erreichen, um im Falle eines Absturzes eine Arretierung des Höhensicherungsgeräts auszulösen. Bei Arbeiten auf beweglichem Untergrund wie Sand oder Korn wird unter Umständen keine ausreichend hohe Fallgeschwindigkeit erreicht, um eine Arretierung des Höhensicherungsgeräts herbeizuführen. Eine Freifallstrecke ist erforderlich, damit ein definitives Arretieren des HSG gewährleistet ist.

**SYSTEMANFORDERUNGEN:** Planen Sie das Fallschutzsystem und dessen Einsatz, bevor Sie mit Ihrer Arbeit beginnen. Berücksichtigen Sie die Faktoren, die Ihre Sicherheit vor, während und nach einem Absturz beeinträchtigen könnten. Folgendes sollten Sie bei der Planung Ihres Systems berücksichtigen:

- **AUFFANGVORRICHTUNG:** Für das Sealed-Blok™-HSG muss ein Komplettgurt verwendet werden. Der Verbindungspunkt des Gurtes muss sich oberhalb des Körperschwerpunktes des Benutzers befinden. Ein Haltegurt ist für

die Verwendung mit dem HSG nicht zulässig. Im Falle eines Sturzes kann sich ein Haltegurt möglicherweise unbeabsichtigt lösen und durch ungeeignete Positionierung eine Erstickung verursachen. Der Austausch von Ausrüstung oder Systemkomponenten darf nicht ohne schriftliches Einverständnis von Capital Safety erfolgen.

- **KOMPATIBILITÄT DER KOMPONENTEN:** Sofern nicht anders angegeben, ist die Ausrüstung von Capital Safety nur zur Verwendung mit den von Capital Safety freigegebenen Komponenten und Teilsystemen ausgelegt. Ein Austausch durch nicht genehmigte Komponenten oder Teilsysteme kann die Kompatibilität der Ausrüstung aufs Spiel setzen und die Sicherheit und Zuverlässigkeit des kompletten Systems gefährden:
  - Horizontale Systeme – Wird ein Höhensicherungsgerät zusammen mit einem horizontalen System (z. B. horizontale I-Träger und Aufhängungen) eingesetzt, müssen Höhensicherungsgerät und horizontale Systemkomponenten miteinander kompatibel sein.
  - Bergungssysteme – Wenn HSG von Capital Safety mit einem optionalen Bergungssystem eingesetzt werden, muss sichergestellt werden, dass das Auflager (d.h. Stativ, Auslegerarm) mit dem Anschluss sowie dem Betrieb, der Stabilität und der Stärke des HSG kompatibel ist.
- **FALLRAUM:** Stellen Sie sicher, dass in der Fallstrecke ein ausreichender Freiraum vorhanden ist, damit Sie beim Absturz nicht auf ein Objekt treffen. Mindestens 1,8 m zwischen der Arbeitsebene und der tieferen Ebene oder dem nächsten Hindernis werden empfohlen.

## INSTALLATION

**Planung:** Planen Sie den Einsatz des Absturzsicherungssystems, bevor Sie mit der Arbeit beginnen. Berücksichtigen Sie alle Faktoren, die Ihre Sicherheit vor, während und nach einem Absturz beeinträchtigen könnten. Beachten Sie alle Systemanforderungen und Einschränkungen.

**Verankerung:** Wählen Sie eine Verankerungsstelle mit einem Minimum an Freifall- und Pendelsturzgefahren. Wählen Sie einen starren Verankerungspunkt, der den statischen Lasten standhält.

**Abbildung 2 – Verankerung und Anschlüsse**

A	Verankerung
B	Anschlagmittel
C	Verankerungsanschluss
D	Halterung (sofern zutreffend)
E	Stativbein

## BETRIEB

**WARNUNG:** Sie dürfen diese Ausrüstung nicht verändern oder vorsätzlich unsachgemäß gebrauchen. Konsultieren Sie Capital Safety, wenn Sie diese Ausrüstung in Kombination mit anderen Teilen oder Untersystemen verwenden, als denen, die in diesem Handbuch beschrieben sind. Manche Kombinationen mit Teilsystemen und Komponenten können die Funktion dieser Ausrüstung beeinträchtigen. Gehen Sie vorsichtig vor, wenn Sie die Ausrüstung in der Nähe von beweglichen Maschinen, elektrischen Gefahrenherden, chemischen Gefahrenherden oder scharfen Kanten benutzen. Schlingen Sie das Sicherheitsseil um keine kleinen Bauteile.

**WARNUNG:** Konsultieren Sie Ihren Arzt, falls Zweifel daran bestehen, dass Sie den Aufprall einer Absturzsicherung sicher überstehen. Alter und Fitness können sich stark darauf auswirken, wie ein Arbeiter Abstürze aushält. Schwangere oder Minderjährige dürfen Höhensicherungsgeräte von Capital Safety nicht benutzen.

**Vor jedem Einsatz:** Überprüfen Sie die Absturzsicherungs-ausrüstung vor jedem Einsatz sorgfältig, um sicherzustellen, dass sie sich in einem einwandfreien Arbeitszustand befindet. Prüfen Sie sie auf abgenutzte oder beschädigte Teile. Sicherstellen, dass alle Bolzen vorhanden und gesichert sind. Vergewissern Sie sich, dass sich das Sicherungsseil richtig aufrollt, indem Sie es herausziehen und langsam aufrollen lassen. Falls sich das Aufrollen verzögert, sollte die Einheit zur Wartung an einen autorisierten Kundendienst gesendet werden. Kontrollieren Sie das Sicherheitsseil auf Einschnitte, Ausfransungen, Quetschungen und Korrosion. Prüfen Sie die Arretierfunktion durch festes Ziehen am Seil. Verwenden Sie die Ausrüstung nicht, wenn bei der Inspektion ein unsicherer Zustand festgestellt wurde.

**Nach einem Absturz:** Alle Teile, die den Kräften eines aufgefangenen Absturzes ausgesetzt waren oder die einer Absturzsicherung entsprechende Schäden aufweisen, müssen unverzüglich außer Betrieb genommen und zur Reparatur an einen autorisierten Kundendienst gesendet werden.

**Auffangvorrichtung:** Beim Einsatz von Höhensicherungsgeräten von Capital Safety muss ein Komplettgurt getragen werden. Verbinden Sie ihn für einen allgemeinen Einsatz zur Absturzsicherung am D-Ring im Rückenbereich. Sollten Sie die Sicherung zum Emporsteigen einer Leiter verwenden, empfiehlt sich möglicherweise die Befestigung im vorderen Bereich des Gurts. Dies ist akzeptabel, wenn die mögliche Freifallstrecke sehr kurz ist und ein sicherer Halt schnell wiederhergestellt werden kann.

**WICHTIG:** Verwenden Sie für Freifallanwendungen keinen Haltegurt.

**Anschlüsse einrichten:** Sollten Sie für die Verbindung einen Haken verwenden, vergewissern Sie sich, dass ein Herausrutschen nicht möglich ist. Verwenden Sie keine Haken oder Anschlüsse, die sich nicht vollständig über dem angehängten Objekt schließen. Verwenden Sie keine Schnapphaken, die nicht selbstsichernd sind. Die Montagefläche muss die Anforderungen bezüglich der Verankerungsstärke erfüllen. Befolgen Sie die Herstelleranweisungen, die den einzelnen Systemkomponenten beiliegen.

## Abbildung 3 – Nutzung

A	Verankerung
B	Bindeglied
C	Verankerungsanschluss
D	Höhensicherungsgerät
E	Gurtzeug

**Funktion:** Überprüfen Sie das HSG wie beschrieben. Verbinden Sie das HSG mit einer geeigneten Verankerung oder einem geeigneten Verankerungsanschluss, wie zuvor beschrieben. Befestigen Sie den selbstschließenden Karabinerhaken am Ende des Sicherungsseils an der Absturzsicherungshalterung (Komplettgurt). Siehe Abbildung 3. Prüfen Sie, ob alle Anschlüsse in Größe, Form und Stärke miteinander kompatibel sind. Vergewissern Sie sich, dass der Haken vollständig geschlossen und verriegelt ist. Sobald der Arbeiter eingeseilt ist, kann er sich innerhalb des empfohlenen Arbeitsbereichs mit der normalen Geschwindigkeit bewegen. Bei einem Absturz arretiert das HSG und fängt den Sturz auf. Setzen Sie das HSG nach einer Rettung nicht mehr ein. Wenn Sie mit einem HSG arbeiten, lassen Sie das Sicherungsseil stets kontrolliert in das Gerät zurückrollen. Es kann ein kurzes Tag-Seil erforderlich sein, um das Sicherungsseil während des Anschließens und LöSENS aus- und einzuziehen. Wenn das HSG längere Zeit nicht eingesetzt wird, empfiehlt sich die Verwendung eines Tag-Seils, damit das Sicherungsseil vollständig in das Gehäuse eingezogen werden kann. Je nach Arbeitsumgebung und Arbeitsumständen kann es erforderlich sein, das freie Ende des Tag-Seils zurückzuhalten, damit es keine Geräte und Maschinen behindert oder sich in diesen verfängt.

**Bergung und RSQ-Funktionen für Kontrollierten Abstieg:** Das Sealed-Blok™-HSG kann mit optionaler Bergungsfunktion und RSQ-Funktion für kontrollierten Abstieg erworben werden. Sie ermöglichen den Einsatz des HSG für die Selbstrettung (RSQ), die unterstützte Rettung (Bergung oder RSQ) sowie das Heben und Absenken von Material (Bergung). Den mit diesen Funktionen ausgestatteten Sealed-Blok™-Shuttlen liegen jeweils eigene entsprechende Bedienungsanweisungen bei.

**DBI-SALA-FAST-Line™-System:** Diese Einheit ist mit dem FAST-Line™-System von DBI-SALA ausgestattet. Es erlaubt den schnellen und mühelosen Vor-Ort-Austausch des Sicherungsseils durch eine kompetente Person, die durch Capital Safety sachgemäß geschult und autorisiert wurde. Versuchen Sie nicht, das Sicherungsseil auszutauschen, ohne vorher entsprechende Anweisungen erhalten zu haben. Weitere Informationen zu FAST-Line™ erhalten Sie von Capital Safety. Siehe FAST-Line™-Handbuch 5903076, Vers. A.

**WARNUNG:** In den meisten Fällen kann der Austausch des Sicherungsseils nicht als vollständige Wartung betrachtet werden. Die Einheit muss von einer kompetenten Person gründlich geprüft werden. Wenn die Beanspruchungsanzeige des Karabinerhakens Aktivierungszeichen erkennen lässt (siehe Abbildung 4), muss die Einheit außer Betrieb genommen und vollständig gewartet werden, einschließlich der Bremse und anderer interner Sicherheitskomponenten. Wenn bekannt ist, dass die Beanspruchungsanzeige aktiviert ist, mit der Einheit aber kein Absturz aufgefangen wurde (z. B. Bergungssituation), darf nur das Sicherungsseil ausgetauscht werden, sofern der Rest der Einheit die Überprüfung besteht.

## ÜBERPRÜFUNG

**UNTERSUCHUNGSHÄUFIGKEIT:** Um einen sicheren und effizienten Betrieb zu gewährleisten, sollte das HSG in den folgenden Abständen überprüft werden:

- **Vor jedem Einsatz:** Überprüfen Sie vor jedem Einsatz, ob die Einstellungen der Ausrüstung den Vorgaben in der vorliegenden Anweisung entsprechen.
- **Jährliche Durchsicht:** Eine formelle Überprüfung des HSG muss mindestens ein Mal jährlich von einer kompetenten Person<sup>1</sup> durchgeführt werden, bei der es sich nicht um den Anwender selbst handelt. Je nach Art und Härte der Arbeitsbedingungen sowie der Einsatzweise und -dauer der Ausrüstung können häufigere Überprüfungen durch eine kompetente Person notwendig sein. Tragen Sie die Ergebnisse in das Prüf- und Wartungsprotokoll ein. Auf dem Typenschild des HSG befindet sich eine Aufzeichnung der jährlichen Wartungsdaten.

**WICHTIG:** Extreme Arbeitsbedingungen (raue Umweltbedingungen, andauernde Verwendung usw.) können eine häufigere Überprüfung erforderlich machen.

- **Nach einem Absturz:** Überprüfen Sie die Lastenanzeige entsprechend der Abbildung 4 und der gesamten HSG-Anweisung.

**Richtlinien zur Überprüfung:** Um eine sichere, effiziente Verwendung zu gewährleisten, sollte das Sealed-Block™-HSG gemäß den Anweisungen in Table 1 in den angegebenen Abständen überprüft werden.

**WICHTIG:** Tragen Sie die Prüfergebnisse in das Prüf- und Wartungsprotokoll ein.

**WICHTIG:** Extreme Arbeitsbedingungen (raue Umweltbedingungen, andauernde Verwendung) können eine häufigere Überprüfung erforderlich machen.

**WICHTIG:** Nur Capital Safety oder Parteien, die hierzu schriftlich autorisiert sind, dürfen Reparaturen an dieser Ausrüstung vornehmen.

<sup>1</sup> Eine Person, die in der Lage ist, bestehende und vorhersehbare Risiken in der Umgebung oder bei den Arbeitsbedingungen zu erkennen, die für Mitarbeiter ungesund, gefährlich oder risikoreich sind, und die befugt ist, sofort korrigierende Maßnahmen zu ergreifen, um diese Risiken und Gefährdungen zu beseitigen.

**Table 1 – Prüfplan**

Komponente:	Überprüfung:	Vor jedem Einsatz	Jährlich	Nach einem Absturz
HSG (Abbildung 1)	Kontrollieren Sie auf lockere Bolzen und verbogene oder beschädigte Teile.	X	X	X
	Prüfen Sie das Gehäuse auf Verformung, Risse oder andere Schäden.	X	X	X
	Das Sicherungsseil sollte ohne Verzögerung oder Schlingenbildung vollständig ausgezogen und eingezogen werden können.	X	X	X
	Stellen Sie sicher, dass das Gerät arretiert, wenn am Sicherungsseil heftig gezogen wird. Das Sperren sollte unmittelbar, ohne Rutschen, erfolgen (RSQ-Modus). *	X	X	X
	Die Etiketten müssen vorhanden und vollständig lesbar sein.	X	X	X
	Suchen Sie die ganze Einheit nach Korrosionszeichen ab.	X	X	X
Verbindungshaken & Beanspruchungsanzeige (Abbildung 4)	Kontrollieren Sie die Verbindungshaken auf Zeichen von Beschädigungen, Korrosion und ordnungsgemäße Funktion. Die Schwenkung muss frei drehbar sein. Prüfen sie die Beanspruchungsanzeige gemäß Abbildung 4.	X	X	X
Drahtseil (Abbildung 5)	Überprüfen Sie die Drahtseile auf Schnitt- oder Knickstellen, gebrochene oder aufgespreizte Drähte, Schweißspritzer, Korrosion, Bereiche mit Chemikalienberührung oder schwerem Abrieb. Schieben Sie den Kabelabweiser nach oben und kontrollieren Sie die Endhülsen auf Risse oder andere Beschädigungen und kontrollieren Sie das Drahtseil auf Korrosion und gebrochene Drähte.	X	X	X
Bergungs-komponenten	Überprüfen Sie bei entsprechender Ausstattung die Bergungs-komponenten des HSG gemäß den Verfahren in der beiliegenden Bedienungsanweisung für die Bergung (5903079).	X	X	X
RSQ-Komponenten für kontrollierten Abstieg	Überprüfen Sie bei entsprechender Ausstattung die RSQ-Komponenten für kontrollierten Abstieg des HSG gemäß den Verfahren in der beiliegenden Bedienungsanweisung für die RSQ-Funktionen für kontrollierten Abstieg (5903080).	X	X	X

\* Außer bei sachgemäßem Betrieb des Geräts bei Einsatz im RSQ-Modus (entsprechend der Beschreibung).

**Abbildung 4 – Beanspruchungsanzeige**

**BEANSPRUCHUNGSANZEIGE:** Um die Beanspruchungsanzeige zu prüfen, untersuchen Sie den Haken wie in Abbildung 4 gezeigt auf das exponierte Farbband. HSG, bei denen starke Belastungen aufgetreten sind, müssen zur Überprüfung außer Betrieb genommen werden. Versuchen Sie nicht, die Beanspruchungsanzeige zurückzusetzen. Geben Sie das Gerät zum Zurücksetzen an einen autorisierten Kundendienst.

**HINWEIS:** Die Schwenkung dreht sich im „Anzeigemodus“ nicht frei.

A	Rotes Band
B	Normaler Modus
C	Anzeigemodus

**Abbildung 5 – Schäden am Sicherungsseil**

**DRAHTSEIL:** Überprüfen Sie die Drahtseile auf Schnitt- oder Knickstellen, gebrochene oder aufgespreizte Drähte, Schweißspritzer, Korrosion, Bereiche mit Chemikalienberührung oder schwerem Abrieb. Schieben Sie den Kabelabweiser nach oben und kontrollieren Sie die Endhülsen auf Risse oder andere Beschädigungen und kontrollieren Sie das Drahtseil auf Korrosion und gebrochene Drähte.

**HINWEIS:** Ersetzen Sie die Drahtseil-Baugruppe, wenn sich sechs oder mehr zufällig verteilte gebrochene Drähte in einer Lage befinden, oder wenn sich drei oder mehr gebrochene Drähte in einem Strang in einer Lage befinden. Eine „Lage“ eines Drahtseils ist die Länge des Drahtseils, die ein Strang (die nächstgrößere Drahtgruppe) für einen Umlauf benötigt, oder um sich um das Seil zu winden. Ersetzen Sie die Drahtseil-Baugruppe, wenn sich gebrochene Drähte innerhalb eines Abstands von 25 mm zu den Endhülsen befinden.

A	Geknicktes Drahtseil
B	Gebrochene Drähte
C	Aufgespreizte Drähte
D	Schweißspritzer

**WARNUNG:** Das Sicherungsseil nicht binden oder knoten. Das Sicherungsseil darf nicht mit scharfen oder scheuernden Oberflächen in Kontakt kommen. Kontrollieren Sie das Sicherungsseil häufig auf Einschnitte, Durchscheuern, Brandstellen oder Zeichen chemischer Schäden. Schmutzablagerungen, Verunreinigungen und Wasser können die dielektrischen Eigenschaften des Sicherungsseils vermindern. Vorsicht in der Nähe von Stromleitungen.

Überprüfen Sie alle Systemkomponenten und Teilkomponenten gemäß den Anweisungen des Herstellers.

Tragen Sie die Prüfergebnisse in das Prüfprotokoll ein.

**BEI Gefahren oder Mängelzuständen:** Falls bei der Überprüfung eine Gefahr oder ein Mängelzustand festgestellt wird, nehmen Sie das Sealed-Blok™-HSG außer Betrieb, und kontaktieren Sie einen autorisierten Kundendienst, um eine Reparatur zu veranlassen.

**HINWEIS:** Nur Capital Safety oder schriftlich hierzu autorisierte Parteien dürfen Reparaturen an diesem Gerät vornehmen. (FAST-Line™-Verfahren ausgenommen.)

### Abbildung 6 – i-Safe™-RFID-Etikett

**I-SAFE™-RFID-ETIKETT:** Das Sealed-Blok™-HSG umfasst ein i-Safe™-RFID-Etikett (Radio Frequency Identification). Das RFID-Etikett kann in Verbindung mit dem tragbaren i-Safe-Lesegerät und dem webbasierten Portal dazu verwendet werden, die Überprüfung und Bestandskontrolle zu erleichtern und Aufzeichnungen über Ihre Absturzsicherungsausrüstung zu führen. Falls Sie die Ausrüstung erstmals verwenden, kontaktieren Sie den Capital Safety-Kundendienstbeauftragten (siehe Rückseite), oder gehen Sie, falls Sie bereits registriert sind, zu [www.capitalsafety.com/isafe.html](http://www.capitalsafety.com/isafe.html). Folgen Sie den mit Ihrem tragbaren i-Safe-Lesegerät gelieferten oder über das Webportal erhältlichen Anweisungen, um Ihre Daten auf Ihr Webprotokoll zu übertragen.

### Abbildung 7 - L x W x H / Kg (lbs)

Modelle	L x W x H / Kg (lbs)
3400950, 3400951	33.8 cm x 26.4 cm x 15.5 cm (13.3" x 10.4" x 6.1") / 12.2 Kg (27 lbs)
3400866, 3400867	38.6 cm x 30.5 cm x 17.8 cm (15.2" x 12.0" x 7.0") / 19.8 Kg (43.6 lbs)
3400971, 3400972	42.7 cm x 35.6 cm x 20.3 cm (16.8" x 14.0" x 8.0") / 26.6 Kg (58.7 lbs.)
3400656, 3400657, 3400658	42.7 cm x 35.6 cm x 31.2 cm (16.8" x 14.0" x 12.3") / 56.5 Kg (124.6 lbs.)

#### **WARTUNG, REPARATUR UND AUFBEWAHRUNG**

- Reinigen Sie die Außenseite des HSG regelmäßig mit Wasser und einer milden Seifenlösung. Positionieren Sie das Höhensicherungsgerät so, dass überschüssiges Wasser abfließen kann. Reinigen Sie die Aufkleber bei Bedarf.
- Reinigen Sie das Sicherungsseil mit Wasser und einer milden Seifenlösung. Ausspülen und gründlich an der Luft trocknen lassen. Trocknen Sie das Sicherungsseil nicht durch Erwärmen. Übermäßige Ablagerungen von Schmutz, Farbe usw. können verhindern, dass das Sicherungsseil vollständig ins Gehäuse eingezogen wird, mit der Gefahr eines möglichen freien Absturzes. Ersetzen Sie das Sicherungsseil bei übermäßigen Ablagerungen.
- Zusätzliche Wartungs- und Reparaturarbeiten müssen durch einen autorisierten Kundendienst erfolgen. Versuchen Sie nicht, das HSG zu zerlegen (FAST-Line™-Verfahren ausgenommen; siehe FAST-Line™-Handbuch 5903076). HINWEIS: Fetten Sie keine Teile ein.
- Bewahren Sie das HSG an einem kühlen, trockenen, sauberen Ort auf, an dem es vor direkter Sonneneinstrahlung geschützt ist. Setzen Sie das Gerät keinen chemischen Dämpfen aus. Kontrollieren Sie das HSG nach jeder längeren Lagerung.

#### **Material**

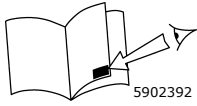
Sicherungsseil (verzinkt)	Flugzeug-Drahtseil 7 x 19, 4,76 mm Durchmesser, 16,68 kN Mindestzugfestigkeit
Sicherungsseil (Edelstahl)	Flugzeug-Drahtseil 7 x 19, 4,76 mm Durchmesser, 16,01 kN Mindestzugfestigkeit
Kabelführung	Nylon
Gehäuse	Aluminiumguss
Kabelabweiser	Urethan
Gehäuseabdeckung	Edelstahl
Verankerungsgriff	Edelstahl
Befestigungen	Edelstahl
Hauptwelle	Edelstahl
Verschlussklinken	Edelstahl
Ratschenmittelstück	Kohlenstoffstahl
Motorfeder	Kohlenstoffstahl
Oberflächenlackierung	Gebrennte Polyesterfarbe
Verbindungshaken (plattierter Stahl)	Geschmiedete Stahllegierung
Verbindungshaken (Edelstahl)	Edelstahl



**PRÓLOGO:** estas instrucciones describen la instalación y el uso del cabo salvavidas autorretráctil (Self Retracting Lifeline o SRL) de Sealed-Blok™. Este documento se debe utilizar como parte del programa de formación de los empleados, tal como exige la normativa CE.

ES

**IMPORTANTE:** antes de usar este equipo, anote la información de identificación del producto, que se encuentra en la etiqueta de instalación y reparaciones de la hoja de identificación del equipo, situada en la parte posterior de "Instrucciones generales de uso y mantenimiento" (5902392).



**CASILLAS GENERALES DE REFERENCIA AL GLOSARIO:** las casillas blancas de referencia al glosario de la portada de estas instrucciones hacen referencia a las entradas del "Glosario" en las "Instrucciones generales de uso y mantenimiento" (5902392).



**CASILLAS ESPECÍFICAS DE REFERENCIA AL GLOSARIO:** las casillas negras de referencia al glosario de la portada de estas instrucciones hacen referencia a las siguientes entradas:

- 1:** Sealed-Blok™ SRL **2:** mango de anclaje **3:** carcasa **4:** cabo salvavidas **5:** tope  
**6:** perilla de fijación RSQ **7:** guía del cable **8:** etiqueta de identificación  
**9:** gancho de seguridad con autobloqueo

**FORMACIÓN:** es responsabilidad de los usuarios de este equipo comprender estas instrucciones y recibir formación sobre la instalación, el uso y el mantenimiento correctos de este equipo. Los usuarios deben conocer las consecuencias debidas a una instalación o un uso inapropiados de este equipo. Este manual de instrucciones no sirve como sustituto de un programa de formación. Se debe proporcionar formación a los usuarios de forma periódica para garantizar su competencia.

**DESCRIPCIÓN:** los SRL Sealed-Blok™ ofrecen protección contra caídas y movilidad al operario en una caja sellada diseñada para mantener los componentes esenciales libres de suciedad, grasa, agua y productos químicos.

**OBJETIVO:** los cabos salvavidas autorretráctiles Sealed-Blok™ están diseñados para ser un componente en un sistema de protección personal contra caídas (Personal Fall Arrest Systems, PFAS). Deben utilizarse en la mayoría de las situaciones donde se requiera proporcionar al operario una combinación de movilidad y protección contra caídas (p. ej., tareas de inspección, construcción en general, tareas de mantenimiento, producción petrolera, tareas en espacios reducidos, etc.). Algunos modelos de SRL Sealed-Blok™ cuentan con una función de recuperación incorporada. Estos modelos tienen las mismas capacidades de protección contra caídas que aquellos que se describieron anteriormente cuando se usan en modo de no recuperación. En el modo recuperación, estos modelos pueden usarse para rescate de emergencia (elevación o descenso) de personal, dentro del intervalo de capacidad indicado a continuación. También es posible usar los modelos de recuperación para subir o bajar material dentro del intervalo de capacidad indicado. Otros modelos SRL Sealed-Blok™ incluyen la función para descensos controlados RSQ de DBI-SALA para un autorrescate o descenso, o para un rescate asistido. Consulte el manual de Capital Safety 5903079 (Corda salvavidas autorretráctil Sealed-Blok™ con recuperación) y 5903078 (Corda salvavidas autorretráctil Sealed-Blok™).

**LIMITACIONES:** este equipo tiene las siguientes limitaciones de instalación y uso:

- **ESTRUCTURA:** la estructura en la que se instala el SRL Sealed-Blok™ debe ser capaz de soportar las cargas aplicadas por el sistema en caso de caída (consulte *Requisitos del sistema*).
- **CAPACIDAD DEL SISTEMA:** los SRL Sealed-Blok™ están diseñados para ser usados por personas con un peso total combinado (incluida la persona, su ropa, herramientas, etc.) de 34 kg a 140,6 kg. Algunas unidades tienen una capacidad de 190,5 kg. Consulte la etiqueta de instrucciones para determinar la capacidad de la unidad. En ningún momento deberá conectarse más de una persona a un único SRL para protección contra caídas.
- **PELIGROS MEDIOAMBIENTALES:** el uso de este equipo en zonas con peligros medioambientales puede exigir precauciones adicionales para reducir la posibilidad de lesiones al usuario o de daños al equipo. Algunos de los peligros son, entre otros: temperaturas altas causadas por trabajos de soldadura o corte de metal; sustancias químicas cáusticas; agua del mar; líneas de alta tensión; gases explosivos o tóxicos; maquinaria móvil; bordes afilados.
- **COMPATIBILIDAD DE COMPONENTES:** el SRL está diseñado para su uso con componentes y subsistemas aprobados por Capital Safety (consulte *Requisitos del sistema*). El uso de componentes y subsistemas no aprobados puede poner en peligro la compatibilidad del equipo y afectar a la seguridad y la fiabilidad del sistema completo.

**IMPORTANTE:** el SRL Sealed-Blok™ no debe utilizarse junto con otro sistema o subsistema de protección contra caídas, salvo que esté autorizado por Capital Safety.

- **VELOCIDAD DE BLOQUEO:** se deben evitar las situaciones que no permitan un trayecto de caída sin obstrucciones. Trabajar en espacios confinados o estrechos puede hacer que el cuerpo no alcance suficiente velocidad como para provocar el bloqueo del SRL en caso de que se produzca una caída. Es posible que al trabajar en materiales de desplazamiento lento, como arena o grano, no se alcance la velocidad suficiente como para provocar el bloqueo del SRL. Es necesario un trayecto sin obstáculos para garantizar un bloqueo correcto del SRL.

**REQUISITOS DEL SISTEMA:** planifique su sistema de protección contra caídas y la forma en que lo utilizará antes de empezar a trabajar. Tenga en cuenta todos los factores que afectarán a su seguridad antes, durante y después de una caída. Tenga en cuenta las siguientes consideraciones cuando planifique su sistema:

- **SUJECCIÓN DEL CUERPO:** debe utilizarse un arnés de cuerpo completo con el SRL Sealed-Blok™. El punto de conexión del arnés debe estar situado por encima del centro de gravedad del usuario. No está autorizado el uso de cinturones corporales con el SRL. En caso de caída, el uso de un cinturón corporal podría producir la liberación accidental del sistema y síntomas de asfixia debido a una sujeción inadecuada del cuerpo. No se deben sustituir los componentes del equipo o el sistema sin el consentimiento por escrito de Capital Safety.
- **COMPATIBILIDAD DE COMPONENTES:** salvo que se indique lo contrario, el equipo Capital Safety está diseñado para su uso solo con los componentes y subsistemas aprobados por Capital Safety. Las sustituciones que se hagan con componentes o subsistemas no aprobados pueden poner en peligro la compatibilidad del equipo y afectar la seguridad y fiabilidad de todo el sistema:
  - Sistemas horizontales: en las aplicaciones donde se utiliza un SRL junto con un sistema horizontal (p. ej., vigas L horizontales, carros), el SRL y los componentes del sistema horizontal deben ser compatibles.
  - Sistemas de recuperación: cuando utilice los SRL de Capital Safety con un sistema de recuperación opcional, asegúrese de que la estructura de apoyo (p. ej., trípode, brazo pescante) sea compatible con la conexión, el funcionamiento, la estabilidad y la resistencia del SRL.
- **SEPARACIÓN DE CAÍDA:** asegúrese de que la cantidad de espacio libre en la trayectoria de una posible caída sea adecuada para evitar golpes contra algún objeto durante una caída. Se recomienda que haya un mínimo de 1,8 m desde el nivel de trabajo hasta el nivel más bajo o el obstáculo más cercano.

## INSTALACIÓN

**Planificación:** planifique el sistema de protección contra caídas antes de comenzar a trabajar. Tenga en cuenta todos los factores que podrían afectar su seguridad antes, durante y después de una caída. Considere todos los requisitos y las limitaciones del sistema.

**Anclaje:** seleccione la ubicación de un anclaje con riesgo mínimo de caída libre y caída con oscilación. Seleccione un punto de anclaje capaz de soportar las cargas estáticas.

Figura 2: anclaje y conexiones	
A	Anclaje
B	Conector
C	Conector de anclaje
D	Abrazadera de montaje (si corresponde)
E	Pata del trípode

## FUNCIONAMIENTO

**ADVERTENCIA:** no modifique este equipo ni lo use intencionalmente de forma inadecuada. Consulte con Capital Safety si usa este equipo con componentes o subsistemas diferentes a los descritos en este manual. Algunas combinaciones de subsistemas y componentes pueden interferir con el funcionamiento de este equipo. Tenga cuidado cuando use este equipo cerca de maquinaria móvil, donde haya peligros eléctricos o químicos, o cerca de bordes afilados. No enrolle el cabo salvavidas alrededor de elementos estructurales pequeños.

**ADVERTENCIA:** consulte con su médico si duda de que su estado físico pueda resistir sin problemas el impacto de una detención de caída. La edad y el estado físico afectan seriamente la capacidad de los trabajadores para resistir las caídas. Las mujeres embarazadas y los menores no deben utilizar los cabos salvavidas autorretráctiles de Capital Safety.

**Antes de cada uso:** antes de cada uso de este equipo de protección contra caídas, inspecciónelo con cuidado para comprobar que se encuentre en buen estado. Compruebe que no existan piezas desgastadas ni dañadas. Garantice que todos los pernos estén en su lugar y bien apretados. Compruebe que el cabo salvavidas se retraiga de manera correcta al extraer el cabo y al permitir que se retraiga lentamente. Si se produce alguna demora en la retracción, la unidad debería devolverse a un centro de servicio autorizado para recibir servicio técnico. Inspeccione el cabo salvavidas para comprobar si tiene cortes, desgaste, quemaduras, aplastamiento o corrosión. Compruebe la acción de bloqueo tirando bruscamente del cabo. No lo utilice si la inspección indica una condición no segura.

**Después de una de caída:** cualquier equipo que se haya sometido a fuerzas de detención de caída o muestre signos de daño como consecuencia del efecto de estas fuerzas, deberá ser retirado del servicio inmediatamente y enviado a un centro de servicio técnico autorizado para su reparación.

**Sujeción del cuerpo:** debe llevar un arnés de cuerpo completo cuando utilice los SRL de Capital Safety. Para un uso general de protección contra caídas, conéctelo a la argolla que se encuentra en la espalda (dorsal) en forma de D. Para situaciones tales como subir las escaleras, puede resultar útil conectarlo a la parte delantera del arnés. Esto es aceptable siempre que la posible caída libre sea muy corta y que se pueda recuperar fácilmente el apoyo.

**IMPORTANTE:** no utilice un cinturón corporal para las aplicaciones de caída libre.

**Realización de conexiones:** cuando utilice un gancho para realizar una conexión, asegúrese de que no pueda producirse ningún deslizamiento. No use ganchos ni conectores que no se cierren completamente sobre el objeto unido. No utilice ganchos de seguridad sin bloqueo. La superficie de montaje debería cumplir con los requisitos de resistencia del anclaje. Siga las instrucciones del fabricante suministradas con cada componente del sistema.

**Figura 3: uso**

A	Anclaje
B	Conector
C	Conector de anclaje
D	Cabo salvavidas autorretráctil
E	Arnés

**Funcionamiento:** inspeccione el SRL según se describe. Conéctelo a un anclaje o conector de anclaje apropiado como se describió anteriormente. Conecte el gancho de seguridad con autobloqueo situado en el extremo del cabo salvavidas al accesorio de protección contra caídas (el arnés de cuerpo completo). Consulte la Figura 3. Asegúrese de que todas las conexiones sean compatibles en tamaño, forma y resistencia. Asegúrese de que el gancho esté totalmente cerrado y bloqueado. Una vez conectado, el trabajador tiene libertad de movimiento dentro del área de trabajo recomendada a velocidades normales. Si ocurre una caída, el SRL se trabará y detendrá la caída. Después de una situación de rescate, deje de usar el SRL. Cuando trabaje con un SRL, permita siempre que el cabo salvavidas se repliegue en el dispositivo bajo control. Es posible que se necesite un cabo corto de retención para extender o retraer el cabo salvavidas al realizar una conexión o desconexión. Durante períodos prolongados de tiempo en que no se utilice el SRL, se recomienda el uso de un cabo de retención para permitir que el cabo salvavidas se retraiga completamente dentro de la carcasa. Según el entorno y las condiciones del sitio de trabajo, es posible que sea necesario restringir el extremo libre del cabo de retención para evitar la interferencia y el enredo con el equipo o la maquinaria.

**Recuperación y descenso Controlado RSQ:** si SRL Sealed-Blok™ se puede adquirir con funciones opcionales de recuperación y descenso controlado RSQ que permiten el uso del SRL para un autorrescate (RSQ), rescate asistido (Recuperación o RSQ) y para subir o bajar materiales (Recuperación). Se incluyen por separado las Instrucciones para el operario de recuperación SRL y las Instrucciones para el operario SRL de descenso controlado RSQ, con los Shuttle de Sealed-Blok™ equipados con estas funciones.

**Sistema DBI-SALA FAST-LINETM:** esta unidad está equipada con el sistema DBI-SALA FAST-Line™, lo que permite una sustitución de campo rápida y sencilla del cabo salvavidas por una persona competente que haya sido debidamente capacitada y autorizada por Capital Safety. No intente sustituir el cabo salvavidas sin haber recibido primero instrucciones específicas. Póngase en contacto con Capital Safety para obtener más información sobre FAST-Line™. Consulte el manual 5903076 Rev A. de FAST-Line™.

**ADVERTENCIA:** en la mayoría de los casos, reemplazar el cabo salvavidas no se puede considerar como un servicio de reparación completo. Una persona cualificada debe inspeccionar cuidadosamente la unidad. Si el indicador de impacto del gancho de seguridad muestra signos de activación (vea la Figura 4), la unidad deberá ser retirada del servicio para su completa reparación, incluido el freno y los otros componentes de seguridad internos. Si se sabe que el indicador de impacto se activó pero que no se utilizó la unidad para detener una caída (una situación de recuperación, por ejemplo) entonces es aceptable que solo se reemplace el cabo salvavidas, siempre que el resto de la unidad pase la inspección.

## INSPECCIÓN

**FRECUENCIA DE INSPECCIÓN:** para garantizar un funcionamiento seguro y eficaz, el equipo debe inspeccionarse con la frecuencia siguiente:

- **Antes de cada uso:** antes de cada uso, inspeccione el equipo para comprobar si tiene alguna falla, siguiendo estas instrucciones.
- **Inspección anual:** se debe realizar una inspección formal del SRL por parte de una persona cualificada<sup>1</sup> que no sea el usuario. Es posible que se requieran inspecciones más frecuentes por parte de una persona cualificada según la naturaleza y la severidad de las condiciones del lugar de trabajo que afectan el equipo, y los modos de uso y el tiempo de exposición del equipo. Anote los resultados en el registro de inspección y mantenimiento. Se puede encontrar un registro de las fechas de servicio técnico anual en la placa de identificación del SRL.

**IMPORTANTE:** si el equipo se expone a unas condiciones de trabajo extremas (condiciones difíciles en el entorno, uso prolongado, etc.), es posible que se deban realizar las inspecciones con mayor frecuencia.

- **Después de una caída:** inspeccione el indicador de carga según la Figura 4 y toda la instrucción del SRL.

**Directrices para la inspección:** para garantizar un funcionamiento seguro y eficiente, el SRL de Sealed-Block™ debería inspeccionarse según las instrucciones de Table 1 con la frecuencia indicada.

**IMPORTANTE:** anote los resultados de la inspección en el registro de inspección y mantenimiento.

**IMPORTANTE:** si el equipo se expone a unas condiciones de trabajo extremas (condiciones difíciles en el entorno, uso prolongado) es posible que se deban realizar las inspecciones con mayor frecuencia.

**IMPORTANTE:** sólo Capital Safety, o terceros autorizados por escrito, deben reparar este equipo.

<sup>1</sup> Alguien que pueda identificar los riesgos existentes y previsible en las condiciones de trabajo y los alrededores que son insalubres, riesgosos o peligrosos para los empleados y que tenga autorización para tomar las medidas correctas para eliminarlos.

**Table 1 Programa de inspección**

<b>Componente:</b>	<b>Inspección:</b>	<b>Antes de cada uso</b>	<b>Cada año</b>	<b>Después de una caída</b>
SRL (Figura 1)	Inspeccione para confirmar si hay pernos sueltos y piezas dobladas o dañadas.	<b>X</b>	<b>X</b>	<b>X</b>
	Inspeccione la carcasa para verificar si está deformada o presenta fracturas u otros daños.	<b>X</b>	<b>X</b>	<b>X</b>
	El cabo salvavidas se debe extraer y retraer por completo sin dificultad y sin que el cabo quede flojo.	<b>X</b>	<b>X</b>	<b>X</b>
	Asegúrese de que el dispositivo se bloquee cuando se tira del cabo salvavidas de manera brusca. El bloqueo debe ser certero y sin deslizamiento (modo RSQ). *	<b>X</b>	<b>X</b>	<b>X</b>
	Las etiquetas deben estar presentes y ser completamente legibles.	<b>X</b>	<b>X</b>	<b>X</b>
	Revise si la unidad presenta señales de corrosión.	<b>X</b>	<b>X</b>	<b>X</b>
Gancho de conexión e indicador de impacto (Figura 4)	Inspeccione los ganchos de conexión para confirmar si presentan señales de daño o corrosión, y compruebe su estado de funcionamiento. La pieza giratoria debe girar libremente. Inspeccione el indicador de impacto según se indica en la Figura 4.	<b>X</b>	<b>X</b>	<b>X</b>
Cable metálico (Figura 5)	Compruebe que no existan cortes, dobleces, cables rotos, arqueamiento, salpicaduras de soldadura, corrosión, áreas de contacto con productos químicos o áreas con abrasión grave en el cable metálico. Deslice el tope del cable hacia arriba e inspeccione los casquillos para confirmar si presentan fisuras o daños, y examine el cable metálico para verificar si presenta señales de corrosión o tiene cables rotos.	<b>X</b>	<b>X</b>	<b>X</b>
Componentes de recuperación	Inspeccione los componentes de recuperación del SRL (si se incluyen en el equipo) según se indica en los procedimientos definidos en las Instrucciones para el operario de recuperación - SRL (5903079) que se incluyen.	<b>X</b>	<b>X</b>	<b>X</b>
Componentes del descenso controlado RSQ	Inspeccione los componentes del descenso controlado RSQ del SRL (si se incluyen en el equipo) según se indica en los procedimientos definidos en las Instrucciones para el operario del descenso controlado RSQ- SRL (5903080) que se incluyen.	<b>X</b>	<b>X</b>	<b>X</b>

\* Excepto como se describe en el correcto funcionamiento del dispositivo cuando se utiliza en el modo RSQ.

**Figura 4: indicador de impacto**

**INDICADOR DE IMPACTO:** para examinar el indicador de impacto, busque una banda de color visible en el gancho según se muestra en la Figura 4. Si el gancho está en el "modo indicado", se ha producido una carga de impacto. Los SRL que han sido sometidos a una carga de impacto deben retirarse del servicio e inspeccionarse. No trate de restablecer el indicador de impacto. Devuélvalo a un centro de servicio técnico autorizado para su puesta a cero.

**NOTA:** la pieza giratoria no girará libremente en el "modo indicado".

A	Banda roja
B	Modo normal
C	Modo indicado

**Figura 5: daños al cabo salvavidas**

**CABLE METÁLICO:** compruebe que no existan cortes, dobleces, cables rotos, arqueamiento, salpicaduras de soldadura, corrosión, áreas de contacto con productos químicos o áreas con abrasión grave en el cable metálico. Deslice el tope del cable hacia arriba e inspeccione los casquillos para confirmar si presentan fisuras o daños, y examine el cable metálico para verificar si presenta señales de corrosión o tiene cables rotos.

**NOTA:** sustituya la unidad del cable metálico si hay seis o más cables rotos distribuidos aleatoriamente en un trenzado, o tres o más cables rotos en una hebra de un trenzado. Un "trenzado" de un cable metálico es la longitud de cable necesaria para que una hebra (o grupos más grandes de cables) complete una revolución o vuelta a lo largo del cable. Sustituya la unidad de cable metálico si hay cables rotos a 25 mm de los casquillos.

A	Cable metálico doblado
B	Cables rotos
C	Arqueamiento
D	Salpicaduras de soldadura

**ADVERTENCIA:** no ate ni anude el cabo salvavidas. Evite el contacto del cabo salvavidas con superficies cortantes o abrasivas. Inspeccione el cabo salvavidas con frecuencia para detectar cortes, deshilachados, quemaduras o signos de daño producidos por productos químicos. La suciedad, los contaminantes y el agua pueden reducir las propiedades dieléctricas del cabo salvavidas. Utilícelo con precaución cerca de líneas eléctricas.

Inspeccione cada componente del sistema o subsistema según las instrucciones del fabricante.

Anote los resultados de la inspección en el registro de inspecciones.

**Condiciones poco seguras o defectos:** si la inspección revela una situación poco segura o algún defecto, retire el SRL Sealed-Blok™ del servicio inmediatamente y póngase en contacto con un centro de servicio técnico autorizado para que se lo repare.

**NOTA:** sólo Capital Safety, o terceros autorizados por escrito, deben reparar este equipo. (Excluido el procedimiento de FAST-Line™).

### Figura 6: etiqueta RFID i-Safe™

**ETIQUETA RFID I-SAFE™:** el SRL Sealed-Blok™ incluye una etiqueta de identificación por radiofrecuencia (RFID) i-Safe™. La etiqueta RFID puede usarse junto con el dispositivo de lectura portátil y el portal web i-Safe para simplificar la inspección y el control del inventario, y para generar registros sobre su equipo de protección contra caídas. Si utiliza el dispositivo por primera vez, póngase en contacto con un representante del servicio de atención al cliente de Capital Safety (consulte la contraportada) o, si ya está registrado, vaya a la página [www.capitalsafety.com/isafe.html](http://www.capitalsafety.com/isafe.html). Siga las instrucciones indicadas por el dispositivo de lectura portátil i-Safe o que aparecen en el portal de Internet para transferir sus datos al registro web.

### Figura 7 - L x W x H / Kg (lbs)

Modelos	L x W x H / Kg (lbs)
3400950, 3400951	33.8 cm x 26.4 cm x 15.5 cm (13.3" x 10.4" x 6.1") / 12.2 Kg (27 lbs)
3400866, 3400867	38.6 cm x 30.5 cm x 17.8 cm (15.2" x 12.0" x 7.0") / 19.8 Kg (43.6 lbs)
3400971, 3400972	42.7 cm x 35.6 cm x 20.3 cm (16.8" x 14.0" x 8.0") / 26.6 Kg (58.7 lbs.)
3400656, 3400657, 3400658	42.7 cm x 35.6 cm x 31.2 cm (16.8" x 14.0" x 12.3") / 56.5 Kg (124.6 lbs.)

### MANTENIMIENTO, REPARACIONES Y ALMACENAMIENTO

- Limpie periódicamente el exterior del SRL con agua y una solución jabonosa suave. Coloque el SRL de modo que el exceso de agua pueda drenarse. Limpie las etiquetas cuando sea necesario.
- Limpie el cabo salvavidas con agua y una solución jabonosa suave. Enjuáguelo y séquelo completamente al aire. No acelere el secado aplicando calor. La acumulación excesiva de suciedad, pintura, etc., podría impedir la retracción completa del cabo salvavidas dentro de la carcasa, lo que implica un posible riesgo de caída libre. Sustituya el cabo salvavidas si hay presente suciedad excesiva.
- Sólo un centro de servicio autorizado debe llevar a cabo los procedimientos adicionales de mantenimiento y reparación. No intente desmontar el SRL (excluido el procedimiento de FAST-Line™; consulte el manual 5903076 de FAST-Line™).  
NOTA: no lubrique ninguna pieza.
- Guarde el SRL en un entorno frío, seco y limpio, sin exponerlo directamente a la luz solar. Evite las zonas donde pueda

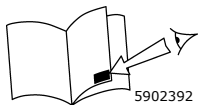
haber vapores químicos. Inspeccione a fondo el SRL después de cualquier periodo de almacenamiento prolongado.

**Materiales**

Cabo salvavidas (galvanizado)	4,76 mm de diámetro, cable metálico de 7x19, resistencia a la tracción mínima de 16,68 kN
Cabo salvavidas (acero inoxidable)	4,76 mm de diámetro, cable metálico de 7x19, resistencia a la tracción mínima de 16,01 kN
Guía del cable	Nailon
Carcasa	Aluminio fundido
Tope del cable	Uretano
Cubierta de alojamiento	Acero inoxidable
Mango de anclaje	Acero inoxidable
Dispositivos de sujeción	Acero inoxidable
Eje principal	Acero inoxidable
Enganches de bloqueo	Acero inoxidable
Centro del trinquete	Acero al carbono
Muelle del motor	Acero al carbono
Pintura del acabado	Acabado de poliéster horneado
Gancho de conexión (acero galvanizado)	Acero de aleación forjada
Gancho de conexión (acero inoxidable)	Acero inoxidable

**PREFÁCIO:** Estas instruções descrevem a instalação e utilização do corda de segurança auto-retráctil Sealed-Blok™ (SRL). Ele deverá ser integrado num programa de formação para funcionários, conforme exigido pela CE.

**IMPORTANTE:** Antes de utilizar este equipamento, anote a informação de identificação do produto constante da etiqueta de instalação e de assistência na ficha de identificação do equipamento, no verso das "Instruções gerais de utilização e manutenção" (5902392).



**CAIXAS GERAIS DE CONSULTA DE GLOSSÁRIO:** As caixas brancas de consulta de Glossário na capa destas instruções referem-se aos itens de "Glossário" incluídos nas "Instruções gerais de utilização e manutenção" (5902392).



**CAIXAS ESPECÍFICAS DE CONSULTA DE GLOSSÁRIO:** As caixas pretas de Consulta de Glossário na capa destas instruções indicam os seguintes itens:

**1:** Sealed-Blok™ SRL **2:** Pega de ancoragem **3:** Invólucro **4:** Cordas de segurança  
**5:** Amortecedor **6:** Botão de engate RSQ **7:** Guia do corda **8:** Etiqueta de identificação  
**9:** Mosquetão de bloqueio automático

**FORMAÇÃO:** É da responsabilidade dos utilizadores deste equipamento compreenderem as presentes instruções e receberem formação quanto à instalação, utilização e manutenção correctas do equipamento. Os utilizadores deste equipamento devem estar cientes das consequências de uma instalação ou utilização incorrectas do mesmo. O presente manual de instruções não substitui um programa de formação. A formação deve ser ministrada regularmente para assegurar a competência técnica do utilizador.

**DESCRIÇÃO:** Sealed-Blok™ as SRLs proporcionam protecção contra quedas e mobilidade para os trabalhadores num invólucro vedado concebido para manter os componentes críticos sem sujidade, gordura, água e químicos.

**FINALIDADE:** Sealed-Blok™ os cordas de segurança auto-retrácteis foram concebidos para serem componentes num sistema pessoal de interrupção de quedas (PFAS). Podem ser utilizados na maioria das situações em que é necessária uma combinação de mobilidade e protecção anti-queda do trabalhador (ou seja, trabalhos de inspecção, construção geral, trabalhos de manutenção, produção petrolífera, espaços de trabalho confinados, etc.). Alguns modelos de Sealed-Blok™ SRL incluem uma funcionalidade de resgate integrada. Esses modelos estão equipados com as mesmas capacidades de protecção anti-queda descritas acima quando forem utilizados no seu modo de não-resgate. No modo de resgate, esses modelos podem ser utilizados para salvamentos de emergência (em subidas ou descidas) de trabalhadores, dentro da gama de capacidade abaixo indicada. Também é possível utilizar os modelos de resgate para erguer e descer materiais, dentro da gama de capacidade indicada. No outros modelos Sealed-Blok™ SRL incluem-se a funcionalidade de descida controlada DBI-SALA RSQ para auto-salvamento/descida ou salvamento assistido. Consulte o manual da Capital Safety 5903079 (Sealed-Blok™ Corda de segurança auto-retráctil com resgate) e 5903078 (Sealed-Blok™ Corda de segurança auto-retráctil).

**LIMITAÇÕES:** A instalação e o uso deste equipamento estão condicionados pelas seguintes limitações:

- **ESTRUTURA:** A estrutura na qual o Sealed-Blok™ SRL está instalado tem de ser capaz de suportar as cargas aplicadas pelo sistema em caso de queda (consulte *Requisitos do sistema*).
- **CAPACIDADE DO SISTEMA:** Sealed-Blok™ Os SRLs foram concebidos para serem utilizados por pessoas com um peso combinado (pessoa, vestuário, ferramentas, etc.) de 34 kg a 140,6 kg. Algumas unidades têm uma capacidade de 190,5 kg. Consulte a etiqueta de instruções para determinar a capacidade da sua unidade. Em nenhuma situação deverá estar amarrada mais de uma pessoa a um único SRL em qualquer aplicação anti-queda.
- **RISCOS AMBIENTAIS:** A utilização deste equipamento em áreas com riscos ambientais pode exigir precauções adicionais com vista a reduzir a possibilidade de ocorrência de lesões do utilizador ou de danos no equipamento. Os perigos podem incluir, embora sem carácter limitativo: calor elevado causado por soldadura ou corte de metal; químicos cáusticos; água do mar; cordas de alta tensão; gases explosivos ou tóxicos; máquinas em movimento; extremidades aguçadas.
- **COMPATIBILIDADE DOS COMPONENTES:** O SRL foi concebido para ser utilizado com componentes e subsistemas aprovados pela Capital Safety (consulte *Requisitos do sistema*). A utilização de componentes e subsistemas não aprovados poderá comprometer a compatibilidade do equipamento e afectar a segurança e fiabilidade de todo o sistema.

**IMPORTANTE:** O Sealed-Blok™ SRL não deve ser utilizado em conjunto com outro sistema ou subsistema de protecção anti-queda, excepto se autorizado pela Capital Safety.

- **VELOCIDADE DE BLOQUEIO:** Devem ser evitadas as situações em que não exista espaço para uma queda desobstruída. Trabalhar em espaços confinados ou apertados poderá não permitir que o corpo alcance velocidade suficiente para levar o SRL a bloquear a queda, se esta ocorrer. O trabalho executado com materiais de movimentação lenta como areia ou grãos pode não permitir atingir a velocidade suficiente para originar o bloqueio do SRL. Um trajecto desimpedido é necessário para assegurar a travagem positiva do SRL.

**REQUISITOS DO SISTEMA:** Planeie o seu sistema de protecção anti-queda e o modo como este será utilizado antes de iniciar o trabalho. Tome em consideração todos os factores que irão afectar a sua segurança antes, durante e após uma queda. Ao planear o seu sistema, inclua as seguintes considerações:

- **APOIO DO CORPO:** Tem de ser usado um arnês de corpo inteiro com o Sealed-Blok™ SRL. O ponto de ligação do arnês tem de estar acima do centro de gravidade do utilizador. Um cinto corporal não pode ser utilizado com o SRL. Se ocorrer uma queda ao utilizar um cinto corporal, pode haver libertação não intencional e possível sufocação devido ao suporte incorrecto do corpo. Não são autorizadas substituições de equipamento ou de componentes do sistema sem o consentimento por escrito da Capital Safety.
- **COMPATIBILIDADE DOS COMPONENTES:** Salvo indicação em contrário, o equipamento da Capital Safety destina-se ser usado apenas com componentes e subsistemas aprovados pela Capital Safety. Substituições feitas com componentes ou subsistemas não aprovados poderão comprometer a compatibilidade do equipamento, e possivelmente afectar a segurança e fiabilidade de todo o sistema:
  - Sistemas horizontais - Em aplicações nas quais um SRL é usado em conjunto com um sistema horizontal (por exemplo vigas em I e troleis horizontais), os componentes do SRL e do sistema horizontal devem ser compatíveis.
  - Sistemas de resgate - Quando utilizar um SRL da Capital Safety com um sistema opcional de resgate, assegure-se de que a estrutura do suporte (por ex., tripé, braço elevatório) é compatível com a ligação, funcionamento, estabilidade e força do SRL.
- **DISTÂNCIA DE QUEDA:** Assegure-se de que existe um espaço adequado no trajecto de queda, para evitar o impacto com um objecto. Recomenda-se uma distância mínima de 1,8 m do nível de trabalho ao nível inferior ou para a obstrução mais próxima.

## INSTALAÇÃO

**Planeamento:** Planeie o seu sistema anti-queda antes de iniciar o trabalho. Leve em consideração todos os factores que possam afectar a sua segurança antes, durante e após uma queda. Considere todos os requisitos e limitações do sistema.

**Ancoragem:** Selecione uma localização de ancoragem para reduzir os riscos de quedas livres e de quedas com oscilação. Selecione um ponto de ancoragem rígido capaz de suportar as cargas estáticas.

**Figura 2 - Ancoragem e ligações**

A	Ancoragem
B	Conector
C	Conector de ancoragem
D	Suporte de montagem (se aplicável)
E	Perna do tripé

## FUNCIÓNAMENTO

**AVISO:** Não altere nem utilize intencionalmente este equipamento de forma inadequada. Consulte a Capital Safety quando utilizar este equipamento em combinação com componentes ou subsistemas diferentes dos descritos neste manual. Algumas combinações de subsistemas e componentes podem interferir com o funcionamento deste equipamento. Tenha cuidado ao utilizar este equipamento próximo de máquinas em movimento, perigos eléctricos, perigos químicos e arestas vivas. Não enrole o corda de segurança à volta de membros estruturais pequenos.

**AVISO:** Consulte o seu médico se tiver motivos para duvidar da sua aptidão física para absorver em segurança o choque de uma protecção anti-queda. A idade e a aptidão física afectam seriamente a capacidade de um trabalhador para suportar quedas. Grávidas e menores de idade não deverão utilizar os cordas de segurança auto-retrácteis da Capital Safety.

**Antes de cada utilização:** Antes de cada utilização deste equipamento de protecção anti-queda, inspecione-o cuidadosamente para se certificar de que se encontra na devidas condições de trabalho. Verifique se há peças desgastadas ou danificadas. Certifique-se da presença e segurança de todos os parafusos. Verifique se o corda de segurança está a retrair correctamente puxando o corda e deixando que retraia lentamente. Se se verificar qualquer hesitação durante a retracção, a unidade deve ser devolvida a um centro de assistência autorizado para fins de assistência. Inspeccione o corda quanto a cortes, fios partidos, queimaduras, esmagamentos e corrosão. Verifique a acção de travagem, puxando bruscamente o corda. Não o utilize se a inspecção revelar um estado que não ofereça segurança

**Após uma queda:** Cada equipamento que tenha sido sujeito a forças de interrupção de uma queda, ou que apresente danos consistentes com o efeito de forças de interrupção de queda, deve ser retirado de serviço e enviado para um centro de assistência autorizado a fim de ser reparado.

**Apoio do corpo:** Deve usar-se um arnês de corpo inteiro ao utilizarem-se SRLs da Capital Safety. Para utilizações de protecção geral contra quedas, ligue a anilha traseira Argola em D posterior. Para situações tais como subida de escadas, pode ser útil prender à parte frontal do arnês. Isso é aceitável desde que a potencial queda livre seja curta e que se possa voltar a pousar facilmente o pé.

**IMPORTANTE:** Não utilize um cinto corporal para aplicações de queda livre.

**Efectuar ligações:** Ao utilizar um gancho para estabelecer uma ligação, certifique-se de que não existe a possibilidade de deslize. Não utilize ganchos nem conectores que não se fechem completamente sobre o objecto de fixação. Não utilize mosquetões sem bloqueio. A superfície de montagem deve cumprir os requisitos de resistência. Siga as instruções do fabricante fornecidas com cada componente de sistema.



**Figura 3 - Uso**

A	Ancoragem
B	Conector
C	Conector de ancoragem
D	Corda de segurança auto-retráctil
E	Arnês

**Funcionamento:** Inspeccione o SRL conforme descrito. Ligue o SRL a uma ancoragem ou a um conector de ancoragem apropriado, conforme descrito anteriormente. Ligue o mosquetão de bloqueio automático na extremidade do corda de segurança, ao acessório de protecção anti-queda (arnês de corpo inteiro). Ver a Figura 3. Certifique-se de que as ligações são compatíveis em tamanho, formato e força. Certifique-se de que o mosquetão está totalmente fechado e bloqueado. Logo que se encontre ancorado, o trabalhador é livre de se movimentar dentro da área de trabalho recomendada e à velocidade normal. Em caso de queda, o SRL irá bloquear e travá-la. Após o salvamento, não continue a utilizar o SRL. Quando trabalhar com um SRL, permita sempre que o corda de segurança recolha para dentro do dispositivo sob controlo. Pode ser necessário um pequeno corda de apoio para esticar ou recolher o corda durante as operações de conexão ou desconexão. Quando o SRL não é utilizado durante períodos de tempo prolongados, recomenda-se a utilização de um corda de apoio para permitir que o corda de segurança recolha totalmente para dentro do invólucro. Consoante o ambiente e as condições do local de trabalho, pode ser necessário prender a extremidade livre do corda de apoio para impedir interferências e que fique enredado no equipamento ou maquinaria.

**Resgate e Descida Controlada RSQ:** O Sealed-Blok™ SRL pode ser adquirido com funcionalidades opcionais de Resgate e Descida Controlada RSQ que permitem a utilização do SRL para auto-salvamento (RSQ), salvamento assistido (Resgate ou RSQ) e elevação e descida de materiais (Resgate). No Sealed-Blok™ Dispositivo de vaivém equipado equipados com estas funcionalidades, estão incluídas Instruções de Resgate de SRL para o Operador e Instruções de Descida Controlada de RSQ para o Operador.

**Sistema DBI-SALA FAST-Line™:** Esta unidade está equipada com o sistema DBI-SALA FAST-Line™ que permite uma substituição rápida e fácil no terreno por uma pessoa competente que tenha recebido formação adequada e esteja autorizada pela Capital Safety. Não tente substituir o corda de segurança sem receber primeiro instruções específicas. Contacte a Capital Safety para obter mais informações sobre o FAST-Line™. Consulte o manual do FAST-Line™ 5903076 Rev A.

**AVISO:** Na maioria dos casos, a substituição do corda de segurança não pode ser considerada como assistência completa. É necessário realizar uma inspeção exaustiva da unidade por uma pessoa competente. Se o mosquetão com indicador de impacto apresentar sinais de activação (ver a figura 4), a unidade deve ser removida e submetida a assistência completa, incluindo o travão e os outros componentes de segurança internos. Caso se saiba que o indicador de impacto foi activado mas que a unidade não foi utilizada para parar uma queda (situação de resgate, por exemplo), aceita-se a substituição apenas do corda de segurança, desde que o resto da unidade fique aprovado na inspeção.

## INSPECÇÃO

**FREQUÊNCIA DA INSPECÇÃO:** Para garantir um funcionamento seguro e eficiente, o equipamento deve ser inspeccionado com a seguinte frequência:

- **Antes de cada utilização:** Antes de cada utilização, inspeccione o equipamento quanto a defeitos de acordo com estas instruções.
- **Inspeção anual:** Uma inspeção formal deve ser realizada, pelo menos uma vez por ano, por uma pessoa competente<sup>1</sup>, sem ser o utilizador. Podem ser necessárias inspeções mais frequentes por uma pessoa competente com base na natureza e gravidade das condições do local de trabalho que influenciam o equipamento e os modos de utilização e período de exposição do equipamento. Registe os resultados no registo de inspeção e manutenção. Pode encontrar um registo das datas das manutenções anuais na placa de identificação do SRL.

**IMPORTANTE:** Condições de trabalho extremas (ambiente agreste, utilização prolongada, etc.) podem exigir um aumento da frequência das inspeções.

- **Após uma queda:** Inspeccione o indicador de carga de acordo com a Figura 4 e com todas as instruções do SRL.

**Directrizes para a inspeção:** Para garantir um funcionamento seguro e eficiente, o SRL Sealed-Block™ deve ser inspeccionado de acordo com as instruções da Table 1 com as frequências indicadas.

**IMPORTANTE:** Registe os resultados de inspeção no Registo de Inspeção e Manutenção.

**IMPORTANTE:** Condições de funcionamento extremas (ambiente agreste, utilização prolongada) podem exigir um aumento na frequência das inspeções.

**IMPORTANTE:** Apenas a Capital Safety, ou terceiros com autorização por escrito, podem efectuar reparações neste equipamento.

<sup>1</sup> A pessoa que seja capaz de identificar os perigos existentes e previsíveis no espaço circundante ou as condições de trabalho que sejam pouco higiénicas ou perigosas para os colaboradores e que tenha autorização para tomar medidas correctivas de imediato para eliminá-los, deve fazê-lo de pronto.

**Table 1 - Programa de inspeções**

<b>Componente:</b>	<b>Inspeção:</b>	<b>Antes de cada utilização</b>	<b>Uma vez por ano</b>	<b>Após uma queda</b>
SRL (Figura 1)	Tome atenção a parafusos e porcas soltos ou peças dobradas ou danificadas.	<b>X</b>	<b>X</b>	<b>X</b>
	Inspeccione o invólucro quanto a deformações, fendas ou outros danos.	<b>X</b>	<b>X</b>	<b>X</b>
	O corda de segurança deverá poder esticar e encolher totalmente sem hesitações nem criação de condições de folga.	<b>X</b>	<b>X</b>	<b>X</b>
	Certifique-se de que o dispositivo trava quando o corda de segurança é puxado bruscamente. A travagem deve ser positiva e sem deslizos (modo RSQ). *	<b>X</b>	<b>X</b>	<b>X</b>
	As etiquetas devem estar presentes e completamente legíveis.	<b>X</b>	<b>X</b>	<b>X</b>
	Procure sinais de corrosão em toda a unidade.	<b>X</b>	<b>X</b>	<b>X</b>
Gancho de ligação e indicador de impacto (Figura 4)	Inspeccione os ganchos de ligação, se for caso disso, procurando sinais de danos, corrosão e desgaste. O elemento giratório deve poder rodar livremente. Inspeccione o indicador de impacto segundo a Figura 4.	<b>X</b>	<b>X</b>	<b>X</b>
Corda metálico (Figura 5)	Inspeccione o corda metálico procurando cortes, dobras, arames partidos e desfiados, corrosão, resíduos de soldagem, áreas com contacto químico ou gravemente deterioradas. Deslize o amortecedor do corda e inspeccione procurando fendas ou danos nas braçadeiras e corrosão e arames partidos no corda metálico.	<b>X</b>	<b>X</b>	<b>X</b>
Componentes de resgate	Caso tenha esse equipamento, inspeccione os componentes de resgate do SRL conforme os procedimentos definidos nas Instruções de resgate para o operador - SRL (5903079).	<b>X</b>	<b>X</b>	<b>X</b>
Componentes de descida controlada RSQ	Caso tenha esse equipamento, inspeccione os componentes de descida controlada RSQ do SRL conforme os procedimentos definidos nas Instruções de descida controlada RSQ para o operador - SRL (5903080).	<b>X</b>	<b>X</b>	<b>X</b>

\* Excepto conforme descrito no funcionamento correcto do dispositivo quando utilizado em modo RSQ.

**Figura 4 - Indicador de impacto**

**INDICADOR DE IMPACTO:** Para inspeccionar o indicador de impacto, procure uma faixa de cor exposta no gancho, conforme mostrado em 4. Se o gancho estiver no "modo indicado", ocorreu um carga de impacto. Os SRL que foram sujeitos a uma carga de impacto têm de ser removidos de serviço para serem inspeccionados. Não tente reiniciar o indicador de impacto. Devolva-o a um serviço de assistência autorizado para proceder à reposição das configurações.

**NOTA:** A cabeça giratória não girará livremente no "modo indicado".

A	Faixa vermelha
B	Modo normal
C	Modo indicado

**Figura 5 - Danos de corda de segurança**

**CORDA METÁLICO:** Inspeccione o corda de segurança procurando cortes, dobras, arames partidos e desfiados, corrosão, resíduos de soldagem, áreas com contacto químico ou gravemente deterioradas. Deslize o amortecedor do corda e inspeccione procurando fendas ou danos nas braçadeiras e corrosão e arames partidos no corda metálico.

**NOTA:** Substitua a estrutura do corda metálico se apresentar seis ou mais arames partidos aleatoriamente distribuídos numa camada, ou três ou mais arames partidos na mesma faixa de uma camada. Uma "camada" de corda metálico é o comprimento de corda necessário a uma faixa (o grupo alargado de arames) para completar uma volta ou revolução ao longo do corda. Substitua a estrutura do corda metálico se apresentar arames partidos em menos de 25 mm das virolas.

A	Corda dobrado
B	Arames partidos
C	Arames desfiados
D	Resíduos de soldagem

**AVISO:** Não ate nem dê nós no corda de segurança. Evite que o corda de segurança entre em contacto com superfícies cortantes ou abrasivas. Inspeccione frequentemente o corda de segurança procurando cortes, fios soltos, queimaduras ou sinais de danos químicos. Sujidade, contaminantes e água podem reduzir as propriedades dieléctricas do corda de segurança. Use de precaução perto de cordas de alta tensão.

Inspeccione todos os componentes do sistema ou do subsistema de acordo com as instruções do fabricante.

Registe os resultados da inspecção no registo de inspecções.

**Condições Inseguras ou Defeituosas:** Se a inspecção revelar uma condição perigosa ou defeito, retire o Sealed-Blok™ SRL de serviço e contacte imediatamente um centro de assistência autorizado para proceder à sua reparação.

**NOTA:** Apenas a Capital Safety ou terceiros com autorização escrita podem efectuar reparações neste equipamento. (Exclui o procedimento FAST-Line™).

### Figura 6 - Etiqueta de RFID i-Safe™

**ETIQUETA RFID I-SAFE™:** O Sealed-Blok™ SRL inclui uma etiqueta de identificação de radiofrequência (RFID) i-Safe™. A etiqueta de RFID pode ser utilizada conjuntamente com o dispositivo de leitura portátil i-Safe e o portal da Web para simplificar a inspecção e controlo do inventário, bem como fornecer registos para o seu equipamento de protecção anti-queda. Se for a sua primeira utilização, contacte um representante do serviço de assistência ao cliente da Capital Safety (ver a contracapa) ou, se já estiver registado, vá a: [www.capitalsafety.com/isafe.html](http://www.capitalsafety.com/isafe.html). Siga as instruções incluídas com o seu leitor portátil i-Safe ou indicadas no portal da Web sobre como transferir os seus dados para o seu registo na Web.

### Figura 7 - L x W x H / Kg (lbs)

Modelos	L x W x H / Kg (lbs)
3400950, 3400951	33.8 cm x 26.4 cm x 15.5 cm (13.3" x 10.4" x 6.1") / 12.2 Kg (27 lbs)
3400866, 3400867	38.6 cm x 30.5 cm x 17.8 cm (15.2" x 12.0" x 7.0") / 19.8 Kg (43.6 lbs)
3400971, 3400972	42.7 cm x 35.6 cm x 20.3 cm (16.8" x 14.0" x 8.0") / 26.6 Kg (58.7 lbs.)
3400656, 3400657, 3400658	42.7 cm x 35.6 cm x 31.2 cm (16.8" x 14.0" x 12.3") / 56.5 Kg (124.6 lbs.)

### MANUTENÇÃO, ASSISTÊNCIA E ARMAZENAMENTO

- Limpe periodicamente o exterior do SRL com água e uma solução de sabão suave. Posicione o SRL de tal forma que o excesso de água possa ser drenado. Limpe as etiquetas conforme seja necessário.
- Limpe o corda de segurança com uma solução de sabão suave e água. Passe por água e deixe secar completamente ao ar. Não aplique calor para acelerar a secagem. Uma acumulação excessiva de sujidade, tinta, etc. poderá impedir a retracção total do corda de segurança no invólucro, causando um risco potencial de queda. Proceda à substituição do corda de segurança caso verifique a presença de uma acumulação excessiva.
- Quaisquer procedimentos adicionais de manutenção e assistência deverão ser realizados num centro de assistência técnica autorizado. Não tente desmontar o SRL (exclui o procedimento FAST-Line™; consulte o manual FAST-Line™ 5903076).  
NOTA: Não lubrifique quaisquer peças
- Guarde o SRL num ambiente fresco, seco e limpo, afastado da luz solar directa. Evite áreas onde possam existir vapores químicos. Inspeccione minuciosamente o SRL após qualquer armazenamento prolongado.

**Materiais**

Cordas de segurança (galvanizado)	Corda metálico para aeronave 7x19 com 4,76 mm de diâmetro, 16,68 kN de força tênsil mínima
Cordas de segurança (aço inoxidável)	Corda metálico para aeronave 7x19 com 4,76 mm de diâmetro, 16,01 kN de força tênsil mínima
Guia de corda	Nylon
Invólucro	Alumínio forjado
Amortecedor de corda	Uretano
Cobertura do invólucro	Aço inoxidável
Pega de ancoragem	Aço inoxidável
Elementos de fixação	Aço inoxidável
Eixo principal	Aço inoxidável
Linguetas de bloqueio	Aço inoxidável
Centro de catraca	Aço carbono
Mola de motor	Aço carbono
Tinta de acabamento	Acabamento com revestimento de poliéster
Gancho de ligação (aço revestido)	Liga de aço forjado
Gancho de ligação (aço inoxidável)	Aço inoxidável

**FÖRORD:** Denna bruksanvisning beskriver installation och användning av Sealed-Blok™ självindragande livlina (SRL). Den ska användas som en del av ett personalutbildningsprogram i enlighet med CE-kraven.

SV

**VIKTIGT:** Innan denna utrustning används är det viktigt att anteckna produktidentifieringsinformationen från installations- och serviceetiketten på utrustningsidentifieringsbladet längst bak i de allmänna anvisningarna för användning och installation (5902392).



**ALLMÄNNA REFERENSRUTOR TILL ORDLISTAN:** Vita referensrutor till ordlistan på framsidan av denna handbok hänvisar till uppslagsord i de allmänna anvisningarna för användning och underhåll (5902392).



**SPECIFIKA REFERENSRUTOR TILL ORDLISTAN:** Svarta Referensrutor till ordlista på framsidan av denna anvisning hänvisar till följande punkter:

**1:** Sealed-Blok™ SRL **2:** Förankringshandtag **3:** Hus **4:** Livlina **5:** Stötdämpare  
**6:** RSQ-väljarratt **7:** Vajerledare **8:** ID-etikett **9:** Sjävlåsande automatkrok

**UTBILDNING:** Användarna av denna utrustning ansvarar för att de förstår dessa anvisningar och för att vara utbildade i korrekt installation, användning och underhåll av denna utrustning. Användaren måste vara medveten om konsekvenserna av felaktig installation eller användning denna utrustning. Denna bruksanvisning är ingen ersättning för ett utbildningsprogram. Utbildning måste tillhandahållas regelbundet för att säkerställa användarens kunskaper.

**BESKRIVNING:** Sealed-Blok™ självindragande livlinor erbjuder fallskydd och arbetsrörlighet i ett inkapslat format som är utformat för att hålla viktiga komponenter fria från smuts, fett, vatten och kemikalier.

**SYFTE:** Sealed-Blok™ självindragande livlinor är utformade för att utgöra komponenter i personliga fallskyddssystem (PFAS). De kan användas i merparten av de situationer där det krävs en kombination av arbetsrörlighet och fallskydd (dvs. inspektionsarbete, allmänt byggarbete, underhållsarbete, oljeproduktion, arbete i trånga utrymmen osv.). Vissa modeller av Sealed-Blok™ SRL omfattar en inbyggd lyftfunktion. Dessa modeller har samma fallskyddsfunktioner som de som beskrivs ovan när de används i deras icke-lyftläge. I lyftläget kan dessa modeller användas för nödfallräddning (upp- eller nedfiring) av personal inom det kapacitetsområde som anges nedan. Det är också tillåtet att använda lyftmodellerna för att fira material upp eller ned inom det angivna kapacitetsområdet. Andra modeller av Sealed-Blok™ SRL omfattar DBI-SALA RSQ-funktionen för kontrollerad nedstigning för räddning/nedstigning på egen hand eller för assisterad räddning. Se Capital Safety-handbok 5903079 (Sealed-Blok™ Self Retracting Lifeline with Retrieval) och 5903078 (Sealed-Blok™ Self Retracting Lifeline).

**BEGRÄNSNINGAR:** Installation och användning av denna utrustning begränsas av följande inskränkningar:

- **KONSTRUKTION:** Den konstruktion på vilken Sealed-Blok™ SRL installeras måste kunna motstå de belastningar som appliceras av systemet i händelse av ett fall (se *Systemkrav*).
- **SYSTEMKAPACITET:** Sealed-Blok™ självindragande livlinor är utformade för att användas av personer med en sammanlagd vikt (person, kläder, verktyg osv.) på 34 – 140,6 kg. Vissa enheter har kapacitet för 190,5 kg. Etiketten med anvisningar innehåller kapacitetsinformation för din enhet. Det får aldrig vara fler än en person ansluten till en enda SRL för fallstoppstillämpningar.
- **MILJÖRISKER:** Användning av denna utrustning i områden med miljörisiker kan kräva ytterligare försiktighetsåtgärder för att minska risken för att användaren eller utrustningen skadas. Riskerna kan omfatta, men begränsas ej till: hög värme orsakad av svetsning eller kapning i metall, frätande kemikalier, havsvatten, högspänningsledning, explosiva eller giftiga gaser, maskiner i rörelse, vassa kanter.
- **KOMPONENTKOMPATIBILITET:** Den självindragande livlinan är utformad för att användas med komponenter och undersystem som har godkänts av Capital Safety (se *Systemkrav*). Användning av icke godkända komponenter och undersystem kan äventyra utrustningens kompatibilitet och även påverka hela systemets säkerhet och tillförlitlighet.

**VIKTIGT:** Sealed-Blok™ SRL får ej användas i kombination med något annat fallskyddssystem eller undersystem om detta inte har godkänts av Capital Safety.

- **LÅSNINGSHASTIGHET:** Situationer som inte medger en obehindrad fallväg bör undvikas. Arbete i begränsade eller trånga utrymmen medger eventuellt inte att kroppen når tillräcklig hastighet för att SRL-enheten ska låsas om ett fall inträffar. Arbete på långsamt glidande material, t.ex. sand eller spannmål, medger eventuellt inte tillräcklig hastighetsökning för att medföra att SRL-enheten låser. En fri väg är nödvändig för att säkerställa säker SRL-låsning.

**SYSTEMKRAV:** Planera ditt fallskyddssystem och hur det ska användas innan du påbörjar arbetet. Överväg alla faktorer som kan påverka din säkerhet före, under och efter ett fall. Tag följande under övervägande när du planerar ditt system:

- **KROPPSSTÖD:** En helkroppssele måste användas tillsammans med Sealed-Blok™ SRL. Selens anslutningspunkt

måste sitta ovanför användarens tyngdpunkt. Det är ej godkänt att använda ett kroppsbalte med SRL-enheten. Om ett fall inträffar vid användning av ett kroppsbalte kan det orsaka oavsiktlig losskoppling och risk för kvävning på grund av otillräckligt kroppsstöd. Utbyte av utrustning eller systemkomponenter får ej göras utan skriftligt medgivande från Capital Safety.

- **KOMPONENTKOMPATIBILITET:** Om inget annat anges är Capital Safety-utrustning endast utformad för att användas med komponenter och undersystem som är godkända av Capital Safety. Utbyte mot icke godkända komponenter eller undersystem kan äventyra utrustningens kompatibilitet och även påverka hela systemets säkerhet och tillförlitlighet:
  - Vågräta system – I tillämpningar där en SRL används tillsammans med ett vågrätt system (dvs. vågräta I-balkar och ryttare) måste den självindragande livlinan och de vågräta systemkomponenterna vara kompatibla.
  - Lyftsystem – När en Capital Safety SRL används med ett valfritt lyftsystem är det viktigt att säkerställa att stödstrukturen (dvs. trebensstativ, dävertarm) är kompatibel med SRL-anslutningen och kompatibel med självindragande livlinans funktion, stabilitet och styrka.
- **FALLMARGINAL:** Säkerställ att det finns tillräcklig marginal i fallvägen för att förhindra att personen slår emot ett föremål under ett fall. Vi rekommenderar minst 1,8 m marginal mellan arbetsnivån och den lägre nivån eller det närmaste hindret.

#### **INSTALLATION:**

**Planering:** Planera ditt fallskyddssystem innan arbetet påbörjas. Tag med alla faktorer som kan påverka din säkerhet före, under och efter ett fall i beräkningen. Överväg alla systemkrav och begränsningar.

**Förankring:** Välj en förankringsplats med minimala risker för fritt fall och svängfall. Välj en stadig förankringspunkt som kan klara de statiska belastningarna.

**Figur 2 – Förankring och anslutningar**

A	Förankring
B	Koppling
C	Förankringskoppling
D	Monteringsfäste (om tillämpligt)
E	Ben på trebensstativ

#### **HANDHAVANDE**

**VARNING:** Denna utrustning får ej förändras eller avsiktligt användas på fel sätt. Rådfråga Capital Safety när du vill använda denna utrustning i kombination med andra komponenter eller subsystem än de som beskrivs i denna handbok. Vissa kombinationer av undersystem och komponenter kan störa utrustningens funktionsduglighet. Var försiktig när du använder denna utrustning i närheten av maskiner i rörelse, elektriska risker, kemiska risker och vassa kanter. Linda inte livlinan runt små strukturella element.

**VARNING:** Rådfråga din läkare om det finns anledning att tvivla på att du är tillräckligt stark för att ta emot stöten vid ett fallstopp utan fara. Ålder och kondition kan allvarligt påverka en arbetares förmåga att klara fall. Gravida kvinnor och minderåriga får ej använda självindragande livlinor från Capital Safety.

**Före varje användningstillfälle:** Före varje användning av denna fallskyddsutrustning måste den kontrolleras noggrant för att säkerställa att den är i gott funktionsdugligt skick. Kontrollera om det finns utslitna eller skadade delar. Säkerställ att alla bultar sitter på plats och är åtdragna. Kontrollera att livlinan dras in korrekt genom att dra ut linan och sakta låta den dras in. Om det förekommer någon tvekan under indragningen måste enheten skickas till ett auktoriserat servicecenter för service. Kontroller livlinan med avseende på skärskador, fransar, krosskador och korrosion. Kontrollera låsfunktionen genom att dra hårt i linan. Använd inte livlinan om inspektionen avslöjar ett osäkert tillstånd.

**Efter ett fall:** All utrustning som har utsatts för krafter från fallstopp eller uppvisar skador som är likvärdiga med inverkan från fallstoppskrafter måste tas ur bruk omedelbart och skickas till ett auktoriserat servicecenter för reparation.

**Kroppsstöd:** En helkroppssele måste användas i samband med självindragande livlinor från Capital Safety. För allmänt fallskydd ska livlinan anslutas till den bakre D ringen. För situationer som klättring på stegar kan det vara lämpligt att ansluta livlinan på framsidan av selen. Detta är godkänt under förutsättning att det potentiella fria fallet är mycket kort och att det är lätt att ta tillbaka fotfästet.

**VIKTIGT:** Ett kroppsbalte får ej användas för tillämpningar med fria fall.

**Göra anslutningar:** När en krok används för att göra en anslutning måste du säkerställa att utrullning inte kan inträffa. Använd inte krokar eller kopplingar som inte försluts helt över anslutningsobjektet. Använd inte icke-låsande automatkrokar. Monteringsytan måste uppfylla förankringens hållfasthetskrav. Följ tillverkarens anvisningar som

levereras med varje systemkomponent.

**Figur 3 – Användning**

A	Förankring
B	Koppling
C	Förankringskoppling
D	Självindragande livlina
E	Sele

**Handhavande:** Inspektera den självindragande livlinan enligt anvisningarna. Anslut SRL-enheten till en lämplig förankring eller förankringskoppling så som beskrivs ovan. Anslut den självslåsande automatkroken på livlinans ände till fallstoppsfästet (helkroppsselen). Se figur 3. Kontrollera att anslutningarna är kompatibla med avseende på storlek, form och styrka. Kontrollera att kroken är helt stängd och låst. När arbetaren är fastsatt, är denne fri att röra sig inom det rekommenderade arbetsområdet med normal hastighet. Om ett fall inträffar låses den självindragande livlinan och stoppar fallet. Tag den självindragande livlinan ur bruk efter räddningen. Vid arbete med en SRL ska livlinan alltid tillåtas att rulla tillbaka i in enheten på kontrollerat sätt. En kort tamp kan bli nödvändig för att dra ut eller dra tillbaka livlinan vid anslutning eller urkoppling. Under längre tidsperioder när SRL-enheten inte används rekommenderas användning av en tamp för att låta livlinan dras in helt och hållet i enheten. Beroende på krav och förhållanden på arbetsplatsen kan det bli nödvändigt att fästa tampens fria ände för att förhindra att den störs eller trasslas in i utrustning eller maskiner.

**Retrieval and RSQ Controlled Descent:** Sealed-Blok™ SRL kan köpas med valfria Retrieval- och RSQ-funktioner för kontrollerad nedstigning som gör det möjligt att använda SRL-enheten för räddning på egen hand (RSQ), assisterad räddning (Retrieval eller RSQ) samt lyft och nedfirning av material (Retrieval). De separata handledningarna SRL Retrieval Operator Instructions och SRL RSQ Controlled Descent Operator Instructions ingår med Sealed-Blok™ SRL-enheter som är utrustade med dessa funktioner.

**DBI-SALA FAST-Line™ System:** Denna enhet är utrustad med DBI-SALA FAST-Line™-systemet, som gör det möjligt för en kompetent person som har utbildats korrekt och godkänts av Capital Safety att byta ut livlinan snabbt och enkelt i fältet. Försök inte byta ut livlinan utan att först ha fått specifika anvisning därom. Kontakta Capital Safety om du behöver mer information om FAST-Line™. Se FAST-Line™-handbok 5903076 Rev A.

**WARNING:** Utbyte av livlinan kan i de flesta fallen ej betraktas som fullständig service. En grundlig inspektion av enheten måste utföras av en kompetent person. Om automatkrokens stötindikator uppvisar tecken på aktivering (se figur 4) måste enheten tas ur bruk och skickas in för komplett service, inklusive på bromsen och andra invändiga säkerhetskomponenter. Om man vet att stötindikatorn har aktiverats utan att enheten har använts att stoppa ett fall (t.ex. en lyftsituation) räcker det med att endast byta ut livlinan, dock under förutsättning att resten av enheten godkänns vid inspektion.

## INSPEKTION

**INSPEKTIONSINTERVALL:** För att säkerställa säker, effektiv funktion måste enheten kontrolleras med följande intervall:

- **Före varje användningstillfälle:** Före varje användning måste utrustningen kontrolleras med avseende på defekter i enlighet med dessa anvisningar.
- **Årlig besiktning:** En formell besiktning av SRL-enheten måste utföras minst en gång om året av en kompetent person<sup>1</sup> annan än användaren. Oftare förekommande inspektioner av en kompetent person kan krävas baserat på beskaffenheten och svårighetsgraden i de arbetsplatsförhållanden som påverkar utrustningen samt utrustningens användningssätt och exponeringstid. För in resultaten i loggen för inspektion och underhåll. En förteckning över med årliga servicedatum finns på SRL-enhetens identifieringsplåt.

**VIKTIGT:** Extrema arbetsförhållanden (hård miljö, lång tids användning osv.) kan kräva att inspektionen görs oftare.

- **Efter ett fall:** Kontrollera belastningsindikatorn i enlighet med figur 4 och samtliga SRL-anvisningar.

**Riktlinjer för inspektion:** Säker och effektiv drift kräver att Sealed-Block™ SRL inspekteras i enlighet med anvisningarna i tabell 1 och med angivna intervall.

**VIKTIGT:** För in inspektionsresultaten i loggen för inspektion och underhåll.

**VIKTIGT:** Extrema arbetsvillkor (hård miljö, lång tids användning) kan kräva att besiktningen utförs oftare.

**VIKTIGT:** Endast Capital Safety eller parter med skriftligt godkännande får utföra reparationer på denna utrustning.

<sup>1</sup> En person som kan identifiera befintliga och förutsägbara risker i omgivningar eller arbetsförhållanden som är hälsovådliga, riskfyllda eller farliga för anställda och som har behörighet att vidta omedelbara korrigerande åtgärder för att eliminera dessa.

**Table 1 – Inspektionsschema**

Komponent:	Inspektion:	Före varje användning	Varje år	Efter ett fall
SRL (figur 1)	Kontrollera att det inte finns lösa bultar eller böjda eller skadade delar.	X	X	X
	Kontrollera att enheten inte är skev, sprucken eller skadad på annat sätt.	X	X	X
	Livlinan skall dras ut och dras in utan tvekan eller att skapa en slak lina.	X	X	X
	Säkerställ att enheten låser när man rycker kraftigt i livlinan. Låsningen ska ske direkt och utan slirande (RSQ-läge). *	X	X	X
	Etiketterna måste sitta på plats och vara fullt läsliga.	X	X	X
	Leta efter tecken på korrosion på hela enheten.	X	X	X
Anslutningskrok och stötindikator (figur 4)	Kontrollera att anslutningskrokarna med avseende på skador, korrosion och funktion. Sviveln skall rotera fritt. Kontrollera stötindikatorn i enlighet med figur 4.	X	X	X
Vajer (figur 5)	Kontrollera vajern med avseende på hack, kinkar, brustna trådar, upptvinning, svetsstänk, korrosion, kemiska kontaktytor eller kraftigt slitna delar. För vajerstötdämparen uppåt och kontrollera att ringarna inte har sprickor eller skador samt att vajern inte har korrosion eller brustna trådar.	X	X	X
Lyftkomponenter	Om SRL-enheten är utrustad med Retrieval-komponent ska de kontrolleras i enlighet med procedurer som definieras i den medföljande SRL - Retrieval Operator Instruction (5903079).	X	X	X
RSQ-komponenter för kontrollerad nedstigning	Om SRL-enheten är utrustad med RSQ-komponents för kontrollerad nedstigning ska de kontrolleras i enlighet med procedurer som definieras i den medföljande SRL - RSQ Controlled Descent Operator Instruction (5903080).	X	X	X

\* Utom så som beskrivs för korrekt handhavande av enheten när den används i RSQ-läget.

**Figur 4 – Stötindikator**

**STÖTINDIKATOR:** Kontrollera stötindikatorn genom att se efter om det finns ett blottlagt färgband på kroken så som visas i figur 4. Om kroken är i "indikerat läge" har en stöbelastning inträffat. SRL-enheter som har varit utsatta för stöbelastning måste tas ur bruk och inspekteras. Försök inte återställa stötindikatorn. Returnera den till ett auktoriserat servicecenter för återställning

**Obs!** Svivel snurrar inte fritt i "indikerat läge".

A	Rött band
B	Normalt läge
C	Indikerat läge

**Figur 5 – Skador på livlinan**

**VAJER:** Kontrollera vajern med avseende på hack, kinkar, brustna trådar, upptvinning, svetsstänk, korrosion, kemiska kontaktytor eller kraftigt slitna delar. För vajerstötdämparen uppåt och kontrollera att ringarna inte har sprickor eller skador samt att vajern inte har korrosion eller brustna trådar.

**Obs!** Byt ut vajern om det finns minst sex slumpmässigt spridda brustna trådar i en tir eller minst tre brustna trådar i en kardel i en tir. En tir i vajern är den vajerlängd som krävs för en kardel (den större gruppen av trådar) att vrida sig ett helt varv längs vajern. Byt ut vajern om det finns brustna trådar inom 25 mm avstånd från ringarna.

A	Kinkad vajer
B	Brustna trådar
C	Upptvinning
D	Svetsstänk

**WARNING:** Bind eller knyt inte livlinan. Undvik kontakt mellan livlinan och vassa, skavande ytor. Inspektera livlinan ofta för brott, fransar, brännskador eller tecken på kemisk skada. Smuts, föroreningar och vatten kan reducera livlinans dielektriska egenskaper. Iakttag försiktighet nära elledningar.

Kontrollera varje systemkomponent och undersystem enligt tillverkarens anvisningar.

För in inspektionsresultaten i loggen för inspektion och underhåll.



**Osäkra eller defekta tillstånd:** Om en inspektion avslöjar ett osäkert eller defekt tillstånd måste du omedelbart ta Sealed-Blok™ ur bruk och kontakta ett auktoriserat servicecenter för reparation.

**Obs!** Endast Capital Safety eller parter med skriftligt godkännande får utföra reparationer på denna utrustning. (FAST-Line™-proceduren undantas från detta.)

### Figur 6 – i-Safe™ RFID-märkning

**I-SAFE™ RFID-MÄRKNING:** Sealed-Blok™ SRL omfattar en i-Safe™ RFID-märkning (Radio Frequency Identification). RFID-märkningen kan användas tillsammans med den bärbara i-Safe-avläsningsenheten och webbportalen för att förenkla inspektion och inventarietkontroll och tillhandahålla protokoll för din fallskyddsutrustning. Om du är en förstagångsanvändare kan du kontakta en Capital Safety-kundtjänstrepresentant (se omslagets baksida) och om du redan har registrerat dig kan du gå till: [www.capitalsafety.com/isafe.html](http://www.capitalsafety.com/isafe.html). Följ anvisningarna som tillhandahålls med din bärbara i-Safe-läsare eller på webbportalen när du vill överföra dina data till din blogg.

### Figur 7 - L x W x H / Kg (lbs)

Modeller	L x W x H / Kg (lbs)
3400950, 3400951	33.8 cm x 26.4 cm x 15.5 cm (13.3" x 10.4" x 6.1") / 12.2 Kg (27 lbs)
3400866, 3400867	38.6 cm x 30.5 cm x 17.8 cm (15.2" x 12.0" x 7.0") / 19.8 Kg (43.6 lbs)
3400971, 3400972	42.7 cm x 35.6 cm x 20.3 cm (16.8" x 14.0" x 8.0") / 26.6 Kg (58.7 lbs.)
3400656, 3400657, 3400658	42.7 cm x 35.6 cm x 31.2 cm (16.8" x 14.0" x 12.3") / 56.5 Kg (124.6 lbs.)

### UNDERHÅLL, SERVICE OCH FÖRVARING

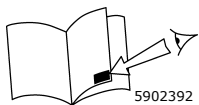
- Rengör regelbundet SRL-enhetens utsida med vatten och en mild tvållösning. Placera SRL-enheten så att överskottsvatten kan rinna ut. Rengör etiketter enligt behov.
- Rengör livlinan med vatten och en mild tvållösning. Skölj och lufttorka grundligt. Snabbtorka inte med hjälp av värme. Överdriven ackumulering av smuts, färg, osv. kan förhindra att livlinan dras fullständigt tillbaka in i enheten och därmed orsaka en potentiell risk för fritt fall. Byt ut livlinan om överdriven ackumulering förekommer.
- Ytterligare underhålls- och serviceprocedurer måste fullföljas av ett auktoriserat servicecenter. Försök inte montera isär SRL-enheten (gäller ej FAST-Line™-proceduren, se FAST-Line™ -handbok 5903076). Obs! Smörj inga delar.
- Förvara SRL-enheten på en sval, torr och ren plats utan direkt solljus. Undvik platser där det kan finnas kemiska ångor. Inspektera SRL-enheten noggrant efter längre förvaringsperioder.

### Material

Livlina (galvaniserad)	7x19 flygplanssvajer, 4,76 mm diam., 16,68 kN minsta draghållfasthet
Livlina (rostfritt stål)	7x19 flygplanssvajer, 4,76 mm diam., 16,01 kN minsta draghållfasthet
Vajerledare	Nylon
Hus	Gjutet aluminium
Vajerstötdämpare	Uretan
Kåpa	Rostfritt stål
Förankringshandtag	Rostfritt stål
Fästen	Rostfritt stål
Huvudaxel	Rostfritt stål
Spärrhakar	Rostfritt stål
Spärrmekanismens mittendel	Kolstål
Motorfjäder	Kolstål
Ytfärg	Ytbehandling med bakad polyester
Anslutningskrok (pläterat stål)	Smitt legeringsstål
Anslutningskrok (rostfritt stål)	Rostfritt stål

**JOHDANTO:** Nämä ohjeet kuvaavat itsekelaatuvan Sealed-Blok™ turvaköyden (SRL) asennusta ja käyttöä. Niitä tulee käyttää osana työntekijäkoulutusohjelmaa CE-vaatimusten mukaisesti.

**TÄRKEÄÄ:** Ennen tämän laitteen käyttöä tallenna tuotteen tunnistetiedot, jotka on merkitty laitteiston tunnistuslomakkeen asennus- ja huoltoetikettiin, joka on "Yleinen Käyttö- ja huolto"-oppaan takaosassa (5902392).



**YLEISET VIITESANASTORUUDUT:** Tämän käyttöoppaan etukannessa olevat valkoiset sanastoviiteruudut viittaavat 'Sanaston' kohtiin osassa "Yleisohjeet käytöstä ja kunnossapidosta" (5902392).



**ERITYISET VIITESANASTORUUDUT:** Käyttöoppaan kannessa olevat mustat sanastoviiteruudut viittaavat seuraaviin osiin:

**1:** Sealed-Blok™ SRL **2:** Ankkurin kahva **3:** Kotelo **4:** Pelastusköysi **5:** Puskuri  
**6:** RSQ-kytkinappi **7:** Kaapelinohjain **8:** Tunnusmerkintä **9:** Itselukkiutuva säppihaka

**KOULUTUS:** Näiden laitteiden käyttäjät ovat vastuussa näiden ohjeiden ymmärtämisestä ja koulutuksesta tämän laitteen asianmukaista asennusta, käyttöä ja huoltoa varten. Käyttäjien tulee olla tietoisia seurauksista, jotka aiheutuvat tämän laitteen virheellisestä asennuksesta tai käytöstä. Tämä käyttöohje ei korvaa koulutusohjelmaa. Koulutusta on annettava säännöllisin väliajoin, jotta käyttäjän pätevyys voidaan varmistaa.

**KUVAUS:** Sealed-Blok™ SRL:t varmistavat putoamiseneston ja työntekijän liikkuvuuden suljetussa tilassa, jossa kriittisten komponenttien on oltava vapaita liasta, rasvasta, vedestä ja kemikaaleista.

**TARCOITUS:** Sealed-Blok™ itsekelaatuvat turvaköydet on suunniteltu henkilökohtaisten putoamisenestojärjestelmien (PFAS) komponentiksi. Niitä käytetään useimmissa tilanteissa, joissa työntekijän liikkuvuus ja putoamisenesto on tarpeen (ts. tarkastukset, yleinen rakennustyö, kunnossapito, öljyntuotanto, ahtaat tilat jne.) Jotkin Sealed-Blok™ SLR-mallit sisältävät sisäänrakennetun kelaustoiminnon. Näissä malleissa on vakio-ominaisuutena sama putoamisenesto kuin yllämainituissa, kun laitteita käytetään ei-nostotilassa. Nostotilassa näitä malleja voidaan käyttää henkilöiden pelastamiseen (nostoon tai laskuun) seuraavassa ilmoitetuissa rajoissa. Nostomalleja voidaan myös käyttää materiaalin nostamiseen ja laskemiseen ilmoitetuissa kapasiteettirajoissa. Muita Sealed-Blok™ SRL-malleja ovat mm. hallittu laskeutumistoiminto DBI-SALA RSQ pelastautumiseen/laskeutumiseen tai avustettuun pelastamiseen. Katso Capital Safety opas 5903079 (Sealed-Blok™ itsekelautuva turvaköysi noutotoiminnolla) ja 5903078 (Sealed-Blok™ itsekelautuva turvaköysi).

**RAJOITUKSET:** Tämän laitteen asennusta ja käyttöä koskevat seuraavat rajoitukset:

- **RAKENNE:** Rakenteen, johon Sealed-Blok™ SRL on asennettu, on kestettävä järjestelmään sovellettavia kuormituksia putoamisen tapahtuessa (ks. *Järjestelmävaatimukset*).
- **JÄRJESTELMÄN KAPASITEETTI:** Sealed-Blok™ SRL:t on suunniteltu käyttäjille, joiden yhdistetty paino (henkilö, vaatetus, työkalut jne.) on 34–140,6 kg. Joidenkin yksikköjen kapasiteetti on 190,5 kg. Tarkasta ohjemerkinä määrittääksesi yksikkösi kapasiteetin. Yhteen turvataljaan ei koskaan saa liittää enempää kuin yksi henkilö putoamisenestotarkoituksessa.
- **YMPÄRISTÖVAARAT:** Tämän laitteen käyttö ympäristöriskejä sisältävillä alueilla voi vaatia muita varotoimenpiteitä, joilla vähennetään mahdollista vahinkoa käyttäjälle tai laitteiston vaurioitumista. Joitakin tällaisia riskejä ovat muun muassa: hitsaamisen tai metallileikkauksen aiheuttama korkea kuumuus; syövyttävät kemikaalit; merivesi; korkeajännitelinjat; räjähtävät tai myrkylliset kaasut; liikkuvat koneistot; terävät reunat.
- **KOMPONENTTIEN YHTEENSOPIVUUS:** SRL on suunniteltu käytettäväksi Capital Safetyn hyväksymien osien ja osajärjestelmien kanssa (ks. *Järjestelmävaatimukset*). Ei-hyväksytyjen osien ja osajärjestelmien käyttö voi vaarantaa laitteiden yhteensopivuutta ja voi vaikuttaa koko järjestelmän turvallisuuteen ja luotettavuuteen.

**TÄRKEÄÄ:** Sealed-Blok™ SRL:ää ei tule käyttää yhdessä toisen putoamisenestojärjestelmän tai -alijärjestelmän kanssa, paitsi Capital Safetyn luvalla.

- **LUKITUSNOPEUS:** Vältä tilanteita, joissa esteetön putoaminen ei ole mahdollista. Työskentely hyvin ahtaissa tai kapeissa paikoissa saattaa estää kehoa saavuttamasta riittävää putoamisnopeutta SRL:n laukeamiseksi putoamisen tapahtuessa. Hiekan tai viljan kaltaisten hitaasti liikkuvien materiaalien päällä työskentely ei ehkä salli riittävää nopeutta itsekelaatuvan turvaköyden lukittumiseksi. Itselukkiutuvat turvataljat vaativat lukkiutuakseen esteettömän reitin.

**LAITTEISTOVAATIMUKSET:** Suunnittele putoamissuojavälineistö ja miten sitä tullaan käyttämään, ennen kuin aloitat työn. Huomioi kaikki tekijät, jotka vaikuttavat turvallisuutesi ennen putoamista, sen aikana ja sen jälkeen. Huomioi seuraavat seikat, kun suunnittelet järjestelmää:

- **KEHOTUKI:** Sealed-Blok™ SRL:n kanssa on käytettävä kokovartalovaljaita. Valjaiden liitoskohdan on oltava käyttäjän

painopisteen yläpuolella. Vartalovyötä ei ole hyväksytty käytettäväksi SRL:n kanssa. Jos putoaminen tapahtuu kun käytetään vartalovyötä, se voi aiheuttaa tahattoman vapaaksi päästämisen ja mahdollisen tukehtumisen, joka johtuu virheellisestä vartalon kannatuksesta. Laitteita tai järjestelmän komponentteja ei saa vaihtaa toisiin ilman Capital Safetyn kirjallista lupaa.

- **KOMPONENTTIEN YHTEENSOPIVUUS:** Ellei toisin mainita, Capital Safetyn laitteistot on suunniteltu käytettäväksi ainoastaan Capital Safetyn hyväksymien osien ja alijärjestelmien kanssa. Muiden kuin hyväksytyjen osien ja alijärjestelmien vaihtaminen tai korvaaminen voi vaarantaa laitteiston yhteensopivuuden sekä vaikuttaa koko järjestelmän turvallisuuteen ja luotettavuuteen:
  - Vaakasuuntaiset järjestelmät – Kun SRL-turvataljaa käytetään yhdessä vaakasuuntaisen järjestelmän kanssa (esim. vaakasuuntaiset I-palkit ja tangot), turvataljan ja vaakasuuntaisen järjestelmän osien tulee olla yhteensopivia.
  - Nostojärjestelmät – Kun Capital Safety -SRL:ää käytetään valinnaisen nostojärjestelmän kanssa, varmista tukijärjestelmän (ts. kolmijalka, taavetti) yhteensopivuus SRL-liitännän kanssa sekä yhteensopivuus SRL:n käytön, vakauden ja vahvuuden kanssa.
- **PUTOAMISETÄISYYS:** Varmista, että putoamisreitillä on riittävästi tilaa estämään osuminen esineisiin putoamisen aikana. Vähintään 1,8 m etäisyys työtasolta alemmalle tasolle tai lähimpään esteeseen on suositeltavaa.

## ASENNUS

**Suunnittelu:** Suunnittele putoamisenestojärjestelmäsi ennen kuin ryhdyt työhön. Ota huomioon tekijät, jotka voivat vaikuttaa turvallisuuteen ennen putoamista, sen aikana ja sen jälkeen. Huomioi kaikki järjestelmävaatimukset ja -rajoitukset.

**Tuki:** Valitse kiinnityskohta, jossa vapaaseen pudotukseen ja heilahdusputoamiseen liittyvät vaarat ovat mahdollisimman vähäiset. Valitse jäykkä kiinnityspiste, joka pystyy kantamaan staattiset kuormitukset.

### Kuva 2 – Kiinnitys ja kytkennät

A	Ankkuri
B	Kytkentä
C	Ankkurin liitin
D	Kiinnityskannake (jos sovellettavissa)
E	Kolmijalka

## KÄYTTÖ

**VAROITUS:** Tämän laitteiston kokoonpanoa ei saa muuttaa tai tahallisesti käyttää väärin. Ota yhteyttä Capital Safetyn edustajaan, jos käytät tätä laitteistoa yhdessä muiden kuin tässä oppaassa kuvattujen komponenttien tai alijärjestelmien kanssa. Jotkut osat tai osien yhdistelmät voivat häiritä näiden varusteiden toimintaa. Noudata varovaisuutta käyttäessäsi tätä laitetta lähellä liikkuvia koneita, vaarallisia jännitteitä tai kemikaaleja tai teräviä reunoja. Älä kierrä turvaköyttä rakenteiden ympärille, joiden läpimitta on pieni.

**VAROITUS:** Ota yhteys lääkäriin, jos et usko fyysisen kuntosi kestäväen putoamisen pysäyttämistä syntyvää iskua. Iällä ja fyysisellä kunnolla on suuri merkitys työntekijän kykyyn kestää putoamisia. Raskaana olevat naiset tai alaikäiset henkilöt eivät saa käyttää Capital Safetyn itsekelautuvia turvaköysiä.

**Ennen jokaista käyttöä:** Ennen jokaista tämän putoamisenestovarusteen käyttöä tarkasta se taataksesi sen toimintakunnon. Tarkasta laite kuluneiden tai vaurioituneiden osien varalta. Varmista, että kaikki pultit ovat paikoillaan ja tiukasti kiinni. Tarkista, että turvaköysi kelautuu takaisin oikein vetämällä köydestä ja antamalla sen kelautua takaisin hitaasti. Jos palautuminen takeltelee, laite tulee palauttaa valtuutettuun huoltokeskukseen huollettavaksi. Tarkasta turvaköysi viiltojen, rispaantumisen, palojälkien, litistymisen ja korroosion varalta. Tarkasta lukitustoiminto nykyisellä nopeasti vaijerista. Varustetta ei saa käyttää, jos tarkastuksessa ilmenee turvallisuuden vaarantavia tekijöitä.

**Putoamisen jälkeen:** Kaikki varusteet, jotka ovat altistuneet putoamiseneston synnyttämille voimille tai joissa ilmenee pysäytysvoimiin liittyviä vaurioita, on välittömästi poistettava käytöstä ja lähetettävä valtuutettuun huoltokeskukseen korjattavaksi.

**Kehotuki:** Capital Safety SRL:ien kanssa on käytettävä kokovartalovaljaita. Yleisessä putoamisenestokäytössä kytke takana sijaitsevaan D renkaaseen. Tikapuita kiipeämisen kaltaisissa tilanteissa voi olla hyödyllistä käyttää valjaiden etupuolen kiinnitystä. Tämä on hyväksyttävää edellyttäen, että potentiaalinen vapaapudotus on hyvin lyhyt ja että jalansija on helposti saatavissa takaisin.

**TÄRKEÄÄ:** Älä käytä vartalovyötä vapaapudotussovelluksissa.

**Liitäntöjen teko:** Kun koukkua käytetään liitoksen tekoon, varmista, ettei se pääse avautumaan. Älä käytä koukkuja tai kiinnikkeitä, jotka eivät sulkeudu kunnolla kiinnitettävän osan yli. Älä käytä lukkiutumattomia säppihakoja. Kiinnityspinnan tulee täyttää ankkurointia koskevat vahvuusvaatimukset. Noudata valmistajan ohjeita, jotka on toimitettu kunkin järjestelmäkomponentin mukana.

### Kuva 3 – Käyttö

A	Ankkuri
B	Kytchentä
C	Ankkurin liitin
D	Itsekelautuva turvaköysi
E	Valjaat

**Toimenpide:** Tarkasta SRL kuvauksen mukaisesti. Liitä itsekelautuva turvaköysi sopivaan kiinnityskohtaan tai kiinnitysliittimeen, kuten edellä on kuvattu. Liitä itselukittuva säppihaka turvaköyden päässä putoamisenestoliitäntään (kokovartalovaljaat). Katso kuva 3. Varmista, että liittimet ovat yhteensopivia kooltaan, muodoltaan ja lujuudeltaan. Varmista, että koukku on täysin suljettu ja lukittu. Kun työntekijä on kiinni varusteissa, hän voi liikkua suositellulla työalueella normaalilla nopeudella. Putoamistapauksessa turvatalja lukittuu ja pysäyttää putoamisen. Pelastustoimen jälkeen turvaköysi tulee poistaa käytöstä. SRL:n kanssa työskennellessä turvaköyden on aina annettava kelausta takaisin hallittavaan laitteeseen. Lyhyt pidätysköysi voi olla tarpeen turvaköyden vetämiseksi ulos tai sisään liitännän ja irrottamisen aikana Pitkinä aikoina, jolloin SRL ei ole käytössä, pidätysköyden käyttö on suositeltavaa, jotta turvaköysi pääsee vetäytymään täysin koteloonsa. Työalueen ympäristöstä ja olosuhteista riippuen voi olla tarpeen pitää kiinni pidätysköyden vapaasta päästä estämään sen sotkeutumisen tai laitteistoon tai koneisiin.

**Nostaminen ja RSQ-hallittu laskeutuminen:** Sealed-Blok™ SRL voidaan ostaa valinnaisella nosto- ja RSQ-laskeutumisoimainisuuksilla, joiden ansiosta SRL:ää voidaan käyttää pelastautumiseen (RSQ), avustettuun pelastamiseen (nosto tai RSQ) sekä materiaalien nostamiseen ja laskemiseen (nosto). Erilliset SRL-nostokäyttöohjeet ja SRL RSQ -ohjatun laskeutumisen käyttöohjeet on sisällytetty näillä ominaisuuksilla varustettuihin Sealed-Blok™ Shuttle -laitteisiin.

**DBI-SALA FAST-Line™ -järjestelmä:** Tämä yksikkö on varustettu DBI-SALA FAST-Line™ -järjestelmällä, joka sallii turvaköyden nopean ja turvallisen vaihtamisen kenttäoloissa Capital Safety'n kouluttaman ja valtuuttaman pätevän henkilön toimesta. Älä yritä vaihtaa turvaköyttä, ellei ole saanut asianmukaista koulutusta. Ota yhteyttä Capital Safetyyn saadaksesi tietoja FAST-Line™ -järjestelmästä. Katso FAST-Line™ -opas 5903076 versio A.

**VAROITUS:** Useimmissa tapauksissa turvaköyden vaihtamista ei voida pitää täydellisenä huoltona. Yksikön huolellinen tarkastus tulee suorittaa pätevän henkilön toimesta. Jos säppihaan iskuvoiman ilmaisimessa on merkkejä aktivoinnista (katso kuva 4), yksikkö tulee poistaa käytöstä ja huoltaa perusteellisesti, mukaan lukien jarru ja muut sisäiset turvakomponentit. Jos tiedetään, että iskuvoiman osoitin on aktivoitunut mutta että yksikköä ei ole käytetty pysäyttämään pudotusta (esim. nostotilanteessa), on hyväksyttävää vaihtaa ainoastaan turvaköysi, kunhan muut yksikön osat läpäisevät tarkastuksen.

## TARKASTUS

**TARKASTUSVÄLI:** Turvallisen ja tehokkaan käytön varmistamiseksi laitteisto tulisi tarkastaa seuraavin välein:

- **Ennen jokaista käyttöä:** Ennen jokaista käyttöä tarkasta laitteisto mahdollisten vikojen varalta tämän ohjeen mukaisesti.
- **Vuositarkastus:** Muodollinen tarkastus on suoritettava vähintään kerran vuodessa pätevän henkilön<sup>1</sup> suorittamana, joka on muu kuin käyttäjä. Pätevän henkilön suorittamat tarkastukset voivat olla tarpeen useammin, riippuen laitteistoon vaikuttavien työpaikan olosuhteiden luonteesta ja ankaruudesta sekä varusteiden käyttötavoista ja altistumisajoista. Kirjaa tulokset ylös tarkastus- ja kunnossapitolokiin. Vuosittaiset huoltopäivämäärät löytyvät SRL:n tunnisteleevystä.

**TÄRKEÄÄ:** Äärimmäiset työolosuhteet (vaativat ympäristöt, pitkäaikainen käyttö jne.) saattavat vaatia tarkastusten suorittamista useammin.

- **Putoamisen jälkeen:** Tarkasta iskuvoiman ilmaisin kuvan 4 sekä koko SRL-ohjeen mukaisesti.

**Tarkastusohjeet:** Turvallisen ja tehokkaan käytön varmistamiseksi Sealed-Block™ SRL tulee tarkastaa osan Table 1 ohjeiden ja annettujen tarkastusvälien mukaisesti.

**TÄRKEÄÄ:** Kirjaa tarkastustulokset tarkastus- ja kunnossapitolokiin.

**TÄRKEÄÄ:** Äärimmäiset työolosuhteet (vaativat olosuhteet, pitkäaikainen käyttö jne.) voivat vaatia tarkastusten suorittamista useammin.

**TÄRKEÄÄ:** Vain Capital Safety tai kirjallisesti valtuutetut osapuolet voivat tehdä korjauksia tähän laitteeseen.

<sup>1</sup> Henkilö, joka pystyy tunnistamaan olemassa olevat ja ennustettavat vaaratekijät ympäristössä tai työolosuhteissa, jotka ovat vaarallisia, epähygieenisia tai vaarallisia työntekijöille, ja jolla on valtuudet ryhtyä toimiin niiden poistamiseksi.

**Table 1 – Tarkastusaikataulu**

Osa:	Tarkastus:	Ennen jokaista käyttöä	Joka vuosi	Putoamisen jälkeen
SRL (Kuva 1)	Tarkasta, ettei laitteessa ole löysiä pultteja tai taipuneita tai vaurioituneita osia.	X	X	X
	Tarkasta, ettei laitteen kotelossa ole vääntymiä, halkeamia tai muita vaurioita.	X	X	X
	Turvaköyden tulee liikkua täysin esteettä tai löystymättä ulos ja sisään.	X	X	X
	Varmista, että laite lukkiutuu, kun köydestä nykäistään nopeasti. Lukitus ei saa luistaa (RSQ-tila). *	X	X	X
	Tarrojen tulee olla kiinnitetty hyvin ja selvästi luettavissa.	X	X	X
	Tarkasta koko laite syöpymisen varalta.	X	X	X
Liituskoukku ja iskuvoiman osoitin (kuva 4)	Tarkasta, että liitöntäkoukut toimivat kunnolla ja ettei niissä ole vaurioita tai syöpyneitä kohtia. Leikarin tulee pyöriä vapaasti. Tarkasta iskuvoiman ilmaisin kuvan 4 mukaisesti.	X	X	X
Vaijeriköysi (kuva 5)	Tarkasta köysi viiltojen, kiertymien, katkenneiden säikeiden, sykkyröiden, hitsausroiskeiden, syöpymisen, kemikaalivahinkojen tai vakavien hankaumien varalta. Liu'uta vaijerin puskuri ylös ja tarkasta holkit halkeamien tai vaurioiden varalta ja tarkasta, ettei köydessä näy syöpymistä tai katkenneita säikeitä.	X	X	X
Nosto-osat	Jos laite kuuluu varustukseen, tarkasta SRL-nostokomponentit mukana toimitetun SRL - Nostokäyttöohjeet (5903079) menettelyn mukaisesti.	X	X	X
RSQ-hallitun laskeutumisen osat	Jos laite kuuluu varustukseen, tarkasta SRL RSQ -hallitun laskeutumisen komponentit mukana toimitetun SRL - RSQ-hallitun laskeutumisen käyttöohjeet (5903080) menettelyn mukaisesti.	X	X	X

\* Lukuun ottamatta laitteen oikean käytön kuvauksen mukaisesti, kun sitä käytetään RSQ-tilassa.

**Kuva 4 – Iskuvoiman ilmaisin**

**ISKUVOIMAN ILMAISIN:** Voit tarkastaa iskuvoiman ilmaisimen etsimällä koukusta kuvan 4 mukaista näkyvässä olevaa värinauhaa. Jos koukku on "osoitetussa tilassa", iskukuormitus on tapahtunut. Iskukuormitukselle altistuneet turvataljat on poistettava käytöstä tarkastusta varten. Älä yritä nollata iskuvoiman ilmaisinta. Palauta se nollausta varten valtuutettuun huoltoliikkeeseen.

**HUOMIO:** Leikari ei käänny vapaasti "osoitetussa tilassa".

A	Punainen nauha
B	Normaalitila
C	Osoitettu tila

**Kuva 5 – Turvaköyden vauriot**

**KÖYSI:** Tarkasta köysi viiltojen, kiertymien, katkenneiden säikeiden, sykkyröiden, hitsausroiskeiden, syöpymisen, kemikaalivahinkojen tai vakavien hankaumien varalta. Liu'uta vaijerin puskuri ylös ja tarkasta holkit halkeamien tai vaurioiden varalta ja tarkasta, ettei köydessä näy syöpymistä tai katkenneita säikeitä.

**HUOMIO:** Vaihda köysi, jos sen yhdessäkään punoskierröksessä on vähintään kuusi satunnaisesti katkennutta lankaa tai vähintään kolme katkennutta lankaa yhdessä punoksessa. Köyden "punoskierrös" on köyden punoksen täysi kierros tai palmikointi läpimitan ympäri. Vaihda köysi uuteen, jos siinä on katkenneita lankoja 25 mm sisällä holkeista.

A	Kiertynyt kaapeliköysi
B	Katkenneet säikeet
C	Sykkyrät
D	Hitsausroiskeet

**VAROITUS:** Turvaköyttä ei saa sitoa tai solmia. Turvaköyttä ei saa päästää koskettamaan teräviä reunoja tai hankaavia pintoja. Tarkasta turvaköysi säännöllisesti viiltojen, rispaantumisen, palovahinkojen ja kemikaalivahinkojen varalta. Lika, kontaminointi ja vesi voivat alentaa turvaköyden sähköneristysominaisuuksia. Noudata varovaisuutta voimalinjojen läheisyydessä.

Tarkasta jokainen järjestelmäkomponentti ja alijärjestelmä valmistajan ohjeiden mukaisesti.

Kirjaa tarkastustulokset tarkastuslokiin.

**Epäturvalliset tai vialliset tilat:** Jos valtuutetussa tarkastuksessa ilmenee vaarallinen tai viallinen tila, poista Sealed-Blok™ SRL käytöstä ja korjauta se huoltopisteessä.

**HUOMIO:** Vain Capital Safety tai kirjallisesti valtuutetut osapuolet voivat suorittaa korjauksia laitteelle. (Poislukien FAST-Line™-toimenpide).

### Kuva 6 – i-Safe™ RFID-merkintä

**I-SAFE RFID-MERKINTÄ:** Sealed-Blok™ SRL sisältää i-Safe™ radiotaajuustunnistus (RFID) -merkinnän. RFID-tarraa voidaan käyttää yhdessä käsikäyttöisen i-Safe-lukulaitteen ja verkkoportaalien kanssa yksinkertaistamaan tarkastusta ja varastokirjanpitoa sekä tukemaan putoamisenestolaitteita koskevaa kirjanpitoa. Jos käytät laitetta ensimmäistä kertaa, ota yhteys Capital Safety'n asiakaspalvelun edustajaan (katso takakansi); tai jos olet jo rekisteröitynyt, siirry sivulle [www.capitalsafety.com/isafe.html](http://www.capitalsafety.com/isafe.html). Siirrä tiedot verkkolokiin noudattamalla käsikäyttöisen i-Safe-lukulaitteen tai verkkoportaalien ohjeita.

### Kuva 7 - L x W x H / Kg (lbs)

Mallit	L x W x H / Kg (lbs)
3400950, 3400951	33.8 cm x 26.4 cm x 15.5 cm (13.3" x 10.4" x 6.1") / 12.2 Kg (27 lbs)
3400866, 3400867	38.6 cm x 30.5 cm x 17.8 cm (15.2" x 12.0" x 7.0") / 19.8 Kg (43.6 lbs)
3400971, 3400972	42.7 cm x 35.6 cm x 20.3 cm (16.8" x 14.0" x 8.0") / 26.6 Kg (58.7 lbs.)
3400656, 3400657, 3400658	42.7 cm x 35.6 cm x 31.2 cm (16.8" x 14.0" x 12.3") / 56.5 Kg (124.6 lbs.)

### HUOLTO, YLLÄPITO JA SÄILYTYS

- Puhdista aika ajoin turvaköyden ulkopuoliset osat vedellä ja miedolla pesuaineella. Aseta turvaköysi niin, että liika vesi valuu pois. Puhdista merkinnät tarpeen mukaan.
- Puhdista turvaköysi miedolla saippualla ja vedellä. Huuhtelee ja ilmaa kuivaa huolellisesti. Älä kuivaa kuumentamalla. Liiallinen lika- ja maalikeräytymä yms. voi estää pelastusköyden vetäytymisen takaisin koteloon, mikä voi aiheuttaa vapaan putoamisen riskin. Vaihda turvaköysi uuteen, jos siinä on liiallista keräytymää.
- Valtuutetun huoltokeskuksen tulee suorittaa muut kunnossapito- ja huoltotoimenpiteet. Älä yritä purkaa SRL:ää (poislukien FAST-Line™-toimenpide; katso FAST-Line™-opas 5903076). HUOMIO: Älä voitele mitään osia
- Säilytä SRL viileässä, kuivassa ympäristössä suojassa suoralta auringonvalolta. Vältä alueita, joissa saattaa olla kemiallisia höyryjä. Tarkasta turvatalja huolellisesti pitkäikäisen säilytysajan jälkeen.

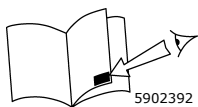
### Materiaalit

Turvaköysi (galvanoitu)	3/16 tuuman halk. 7x19 lentokonevaijeri, 16,68 kN minimivetolujuus
Turvaköysi (ruostumaton teräs)	3/16 tuuman halk. 7x19 lentokonevaijeri, 16,01 kN minimivetolujuus
Kaapelinohjain	Nylon
Suojus	Valettu alumiini
Kaapelipuskuri	Ureetaani
Kotelointi	Ruostumaton teräs
Ankkurin kahva	Ruostumaton teräs
Kiinnittimet	Ruostumaton teräs
Pääakseli	Ruostumaton teräs
Lukitusteljet	Ruostumaton teräs
Räikän keskiosa	Hiiliteräs
Moottorin jousi	Hiiliteräs
Viimeistelymaali	Poltettu polyesteriviimeistely
Liitoskoukku (sinkitetty teräs)	Takoterässeos
Liitoskoukku (ruostumaton teräs)	Ruostumaton teräs

**FORORD:** Denne instruksjonen beskriver installasjon og bruk av Sealed-Blok™ selvinntrekkene livline(SRL). Den skal brukes som del av et opplæringsprogram for ansatte, som pålagt av CE.

NO

**VIKTIG:** Før utstyret tas i bruk, må informasjon om produktidentifikasjon registreres. Informasjonen finnes på installasjons- og serviceetiketten på utstyrsidentifikasjonsarket på baksiden av "Generell instruksjon for bruk og vedlikehold" (5902392).



**GENERELLE BOKSER FOR ORDLISTEREFERANSER:** Hvite bokser for ordlistereferanser på omslaget av denne veiledningen henviser til *ordliste*-elementer i "Generelle instruksjoner for bruk og vedlikehold" (5902392).



**SPESIFIKKE BOKSER FOR ORDLISTEREFERANSER:** Svarte bokser for ordlistereferanser på omslaget til denne veiledningen henviser til følgende elementer:

**1:** Sealed-Blok™ SRL **2:** Forankringshåndtak **3:** Hus **4:** Livline **5:** Støtdemper  
**6:** RSQ velgerhjul **7:** Kabelguide **8:** ID-merke **9:** Selvlåsende karabinkrok

**OPPLÆRING:** Det er brukeren av utstyrets ansvar å forstå disse instruksjonene og være opplært til å installere, bruke og vedlikeholde utstyret. Brukeren må være klar over konsekvensene av feil installasjon eller bruk av utstyret. Denne brukerhåndboken er ikke en erstatning for et opplæringsprogram. Det må gis jevnlig opplæring for å sikre at brukerens kunnskaper vedlikeholdes.

**BESKRIVELSE:** Sealed-Blok™ SRLer sørger for fallsikring og brukermobilitet i en lukket innhegning som er laget for å holde viktige komponenter fri for skitt, fett, vann og kjemikalier.

**HENSIKT:** Sealed-Blok™ selvinntrekkende livliner er laget for å utgjøre en komponent i et personlig fallsikringsystem (PFAS). De kan brukes i situasjoner hvor arbeidermobilitet og fallbeskyttelse er påkrevd (inspeksjonsarbeid, generell konstruksjon, vedlikeholdsarbeid, oljeproduksjon, arbeid i plassbegrensede områder osv.). Noen Sealed-Blok™ SRL-modeller har en innebygd tilbaketrekkingsfunksjon. Disse modellene har de samme fallstoppevnene som beskrevet ovenfor når de brukes i ikke-tilbaketrekkingsmodus. I tilbaketrekkingsmodus kan disse modellene brukes for nøddberging (heving eller senking) av personell innen kapasitetsområdet oppgitt nedenfor. Det er også tillatt å bruke tilbaketrekkingsmodeller for heving og senking av materialer innen det oppgitte kapasitetsområdet. Andre Sealed-Blok™ SRL-modeller omfatter DBI-SALA RSQ kontrollert nedstigningsfunksjon for selvredning/nedstigning eller assistert redning. Se Capital Safety håndbok 5903079 (Sealed-Blok™ Selvinntrekkende livline med tilbaketrekking) og 5903078 (Sealed-Blok™ Selvinntrekkende livline).

**BEGRENSNINGER:** Ved montering og bruk av dette utstyret gjelder følgende begrensninger:

- **STRUKTUR:** Strukturen som Sealed-Blok™ SRL er installert i, må kunne tåle lasten i systemet ved et fall (se *Systemkrav*).
- **SYSTEMKAPASITET:** Sealed-Blok™ SRLer er laget for bruk av personer med en samlet vekt (inklusive vektøy, klær osv.) på 34 kg til 140,6 kg. Noen enheter har en kapasitet på 190,5 kg. Se typeskiltet for å finne kapasiteten til din enhet. For fallstoppbruk må aldri mer enn én person være koblet til en enkelt SRL.
- **MILJØFARER:** Bruk av dette utstyret i områder med miljøfarer kan kreve ekstra forholdsregler for å redusere muligheten for skade på brukeren eller utstyret. Farer kan inkludere, men er ikke begrenset til: stor varme fra sveising eller metallkutting, etsende kjemikalier, sjøvann, høyspentledninger, eksplosive eller giftige gasser, bevegelige maskiner, skarpe kanter.
- **KOMPONENTERS FORENLIGHET:** SRL er konstruert for å brukes med komponenter og delsystemer som er godkjent av Capital Safety (se *Systemkrav*). Bruk av ikke-godkjente komponenter og delsystemer kan påvirke utstyrets forenlighet, og kan gå ut over sikkerheten og påliteligheten til hele systemet.

**VIKTIG:** Sealed-Blok™ SRL bør ikke brukes sammen med andre fallsikringsystemer eller delsystemer, bortsett fra der dette autoriseres av Capital Safety.

- **LÅSEHASTIGHET:** Situasjoner som ikke muliggjør en fallbane uten hindringer bør unngås. Arbeid på svært snevre eller trange områder kan føre til at kroppen ikke oppnår tilstrekkelig hastighet til å få SRL til å låse seg hvis et fall skulle inntreffe. Arbeid på materialer som flytter seg sakte, for eksempel sand eller grus, kan føre til at hastigheten ikke bygger seg opp raskt nok til at SRL låser seg. For at SRL skal låses sikkert, trengs det en åpen bane for fallet.

**SYSTEMKRAV:** Planlegg fallsikringsystemet og hvordan det vil bli brukt før du begynner arbeidet. Vurder de faktorene som vil kunne påvirke din sikkerhet før, under og etter et fall. Ta med følgende vurderinger når du planlegger ditt system:

- **KROPPSSTØTTE:** Det må brukes en full kroppssele med Sealed-Blok™ SRL. Koblingspunktet på kroppsselen må være over brukerens tyngdepunkt. Støttebelter er ikke godkjent for bruk med SRL. Hvis det skjer et fall med

et støttebelte, kan dette føre til utilsiktet utløsning og muligens kvelning på grunn av feil kroppsstøtte. Utstyr og systemkomponenter må ikke erstattes med annet materiale uten skriftlig godkjenning fra Capital Safety.

- **KOMPONENTENES KOMPATIBILITET:** Utstyr fra Capital Safety er laget kun for bruk sammen med komponenter og undersystemer som er godkjent av Capital Safety. Utskifting eller erstatning med ikke-godkjente komponenter og delsystemer kan påvirke utstyrets kompatibilitet, og kan gå ut over sikkerheten og påliteligheten til hele systemet.
  - Horisontale systemer – Ved bruksområder hvor SRL brukes i forbindelse med et horisontalt system (dvs. horisontale I-bjelker og traller), må SRL og horisontale systemkomponenter være kompatible.
  - Tilbaketrekkingssystemer – Når SRL brukes med en støttestruktur (dvs. tripod, lastebom e.l.), påse at støttestrukturen er kompatibel med tilkoblingen, driften, stabiliteten og styrken til SRL.
- **FALLKLARING:** Sørg for at det er tilstrekkelig klaring i fallbanen, slik at du ikke treffer noe i fallet. Klaringen fra arbeidsnivået til det laveste nivået eller nærmeste hindring bør være minimum 1,8 m.

## MONTERING

**Planlegging:** Planlegg fallsikringssystemet før du begynner å arbeide. Vurder faktorer som kan påvirke sikkerheten din før, under og etter et fall. Vurder alle systemkrav og begrensninger.

**Forankring:** Velg forankringsstedet nøye for å minske frittfall- og svingfallfarer. Velg et solid forankringspunkt som tåler den statiske belastningen.

Figur 2 - Ankerfeste og tilkoblinger	
A	Forankring
B	Kobling
C	Forankringskobling
D	Monteringsbrakett (hvis det er relevant)
E	Tripodben

## BRUK

**ADVARSEL:** Utstyret må ikke endres eller misbrukes. Kontakt Capital Safety ved bruk av dette utstyret sammen med deler eller undersystemer som er forskjellige fra dem som beskrives i denne håndboken. Noen undersystemer og delekombinasjoner kan gripe inn i driften av dette utstyret. Vær forsiktig ved bruk av dette utstyret i nærheten av maskineri i bevegelse, elektriske farer, kjemiske farer og skarpe kanter. Ikke vikle forbindelseslinjen rundt små strukturelle ledd.

**ADVARSEL:** Ta kontakt med lege hvis du har grunn til å tro at du ikke har helse til å absorbere støtet fra en fallsikring. Alder og helse påvirker evnen til å tåle fall i stor grad. Gravide og mindreårige må ikke bruke Capital Safety sine selvinntrekkende livlinjer.

**Før hver bruk:** Før hver gangs bruk av dette utstyret, må det inspiseres nøye for å føre for at det er i god stand. Se etter slitte eller ødelagte deler. Sikre at alle boltene er tilstede og sikre. Se at livlinen trekker seg inn på riktig måte ved å dra ut linjen og la den trekkes sakte inn. Dersom inntrekkingen går sakte, bør enheten returneres til et autorisert verksted for service. Kontroller livlinen med tanke på kutt, frynser, brannskader, klemskader og korrosjon. Sjekk låsemekanismen ved å dra hardt i linjen. Ikke bruk dersom en inspeksjon avdekker en utrygg tilstand.

**Etter et fall:** Alt utstyr som er blitt utsatt for kreftene ved å stanse et fall eller er skadet som en følge av fallsikringen, må fjernes fra bruk umiddelbart og sendes til et autorisert verksted for reparasjon.

**Kroppsstøtte:** Ved bruk av SRLer må en komplett kroppssele brukes. For generell fallbeskyttelse bruk D-ringen på ryggen som tilkoblingspunkt. Under situasjoner som klatring i stige kan det være lurt å bruke tilkoblingen på forsiden av selen. Dette er akseptabelt forutsatt at den frie fallhøyden er meget kort, og at fotfeste enkelt kan gjenvinnes.

**VIKTIG:** Ikke bruk støttebelter til frifallbruk.

**Tilkobling:** Når det benyttes krok som tilkobling, må du sørge for at utrulling ikke kan finne sted. Ikke bruk kroker eller koblinger som ikke lukker seg helt over gjenstanden som skal festes. Ikke bruk karabinkroker som ikke kan låses. Monteringsoverflaten bør møte forankringsstyrkekravene. Følg alltid produsentens instruksjoner som følger med hver systemkomponent.



**Figur 3 - Bruk**

A	Forankring
B	Kobling
C	Forankringskobling
D	Selvinntrekkende livline
E	Sele

**Bruk:** Inspiser SRLen som beskrevet over. Koble SRL til en passende forankring eller forankringskobling som beskrevet over. Koble den selvlåsende karabinkroken på enden av livlinen til koblingen for stansing av fall (kroppssele). Se figur 3. Sørg for at koblingen er kompatibel hva gjelder størrelse, form og styrke. Sørg for at kroken er fullstendig lukket og låst. Når festet er sikret, er arbeideren fri til å bevege seg innen det anbefalte arbeidsområdet i normale hastigheter. Dersom et fall oppstår, vil SRLen låse og stoppe fallet. Etter at brukeren er reddet, må SRL tas ut av bruk. Når du arbeider med SRL, skal livlinen alltid returneres kontrollert inn i enheten. Det kan være nødvendig å trekke ut en kort del av linen under oppkobling og frigjøring. Hvis SRLen ikke brukes på lang tid, anbefaler vi å bruke en kort del av linen til å la livlinen trekkes helt tilbake i huset. Avhengig av arbeidsstedet og forholdene kan det være nødvendig å feste den fri enden av linen for å hindre at den vikler seg inn i utstyr og maskindeler.

**Tilbaketrekking og RSQ Kontrollert Nedstigning:** Sealed-Blok™ SRL kan kjøpes med valgfrie tilbaketrekking- og RSQ-kontrollerte nedstigningsfunksjoner til selvredning (RSQ), assistert redning (tilbaketrekking eller RSQ), og løfting og senking av materialer (tilbaketrekking). Separate instruksjoner for SRL tilbaketrekkingssoperatør og SRL RSQ kontrollert nedstigningsoperatør ligger ved Sealed-Blok™ Shuttle som er utstyrt med disse funksjonene.

**DBI-SALA FAST-Line™ System:** Denne enheten er utstyrt med DBI-SALA FAST-Line™-systemet, som gir en rask og enkelt felterstatning av livlinen av en kompetent person som er opplært og autorisert av Capital Safety. Ikke erstatt livlinen før du har fått spesifikke instruksjoner. Ta kontakt med Capital Safety hvis du vil ha mer informasjon om FAST-Line™. Se FAST-Line™-håndbok 5903076 Rev A.

**ADVARSEL:** I de fleste tilfeller kan ikke det å erstatte livlinen sies å utgjøre komplett service. Det må utføres en grundig inspeksjon av enheten av en kompetent person. Hvis støtindikatoren for karabinkroken viser tegn på aktivisering (se figur 4), skal enheten fjernes fra drift og utføres service på. Det gjelder også bremsen og de andre interne sikkerhetskomponentene. Hvis det er kjent at støtindikatoren er aktivert, men at enheten ikke er blitt brukt til å stanse et fall (for eksempel etter en tilbaketrekkingssituasjon), er det akseptabelt at bare livlinen erstattes så lenge resten av enheten består kontrollen.

## INSPEKSJON

**INSPEKSJONSINTERVALLER:** For å sikre trygg og effektiv drift skal den inspiseres ved følgende intervaller:

- **Før hver bruk:** Før hver bruk skal utstyret inspiseres med tanke på eventuelle feil i henhold til denne instruksjonen.
- **Årlig inspeksjon:** En formell inspeksjon av SRLen må utføres minst én gang om året av en kompetent person<sup>1</sup> som ikke er brukeren. Hyppigere inspeksjoner av en kompetent person kan være nødvendig med tanke på typen arbeidssted og forhold som kan påvirke utstyret og bruken av dem. Registrer inspeksjonsresultatene i inspeksjons- og vedlikeholdsloggen. En fortegnelse over årlige servicedatoer finnes på SRL-merkelappene.

**VIKTIG:** Ekstreme arbeidsforhold (vanskelige omgivelser, langvarig bruk, osv.), kan gjøre det nødvendig med hyppigere kontroller.

- **Etter et fall:** Inspiser lastindikatoren i henhold til figur 4 og hele SRL-instruksjonen.

**Retningslinjer for inspeksjon:** For å sørge for sikker og effektiv bruk, bør Sealed-Block™ SRL inspiseres i henhold til instruksene i Table 1 med angitt hyppighet.

**VIKTIG:** Registrer resultatene i inspeksjons- og vedlikeholdsloggen.

**VIKTIG:** Ekstreme arbeidsforhold (tøft miljø, langvarig bruk) kan kreve å øke hyppigheten på inspeksjoner.

**VIKTIG:** Bare Capital Safety eller virksomheter med skriftlig godkjennelse kan reparere dette utstyret.

<sup>1</sup> En som er i stand til å identifisere eksisterende og mulige farer i omgivelsene, og som har autoritet til å utbedre eller eliminere dem.

**Table 1 - Inspeksjonsplan**

Komponent:	Inspeksjon:	Før hver bruk	Hvert år	Etter et fall
SRL (figur 1)	Sjekk for løse bolter og bøyd eller ødelagte deler.	X	X	X
	Kontroller hylsen for fordreining, sprekker eller andre skader.	X	X	X
	Livlinen bør fire ut og trekkes inn uten nøling eller slakket.	X	X	X
	Sikre at apparatet låser når det blir rykket kraftig i livlinen. Blokkering skal være total med ingen glidende overgang (RSQ-modus). *	X	X	X
	Merkene må være tilstede og fullt lesbare.	X	X	X
	Se etter tegn på korrosjon på hele enheten.	X	X	X
Koble til krok og støtindikatoren (figur 4)	Sjekk sammenbindende kroker for tegn på skader, korrosjon og arbeidsforhold. Svingmekanisme skal rotere fritt. Sjekk støtindikatoren i henhold til figur 4.	X	X	X
Wirekabel (figur 5)	Sjekk ståltauet for kutt, kink, ødelagte ledninger, "fuglbut", sveising, korrosjon, kjemisk kontakt områder, eller sterkt slitte områder. Skyv opp kabel støtfangeren og sjekk messingringer for sprekker eller skader og sjekk ståltauet for korrosjon og ødelagte ledninger.	X	X	X
Tilbaketrekkingskomponenter	Hvis den er utstyrt med det, må SRLens tilbaketrekkingskomponenter inspiseres i henhold til prosedyrene som er beskrevet i den medfølgende brukerhåndboken for SRL-tilbaketrekking (5903079).	X	X	X
Komponenter i RSQ kontrollert nedstigning	Hvis den er utstyrt med det, må SRLens kontrollerte nedstigningskomponenter inspiseres i henhold til prosedyrene som er beskrevet i den medfølgende brukerhåndboken for SRL-kontrollert nedstigning (5903080).	X	X	X

\* Unntatt slik det er beskrevet i riktig drift av enheten når den brukes i RSQ-modus.

#### Figur 4 – Innvirkning indikatorer

**INNVIRKNING INDIKATORER:** For å kontrollere støtindikatoren, ser du etter fargebåndet på kroken (se figur 4). Hvis kroken er i "indikert modus", har det forekommet en støtbelastning. SRLer som har vært utsatt for støtbelastning, må fjernes fra tjeneste for inspeksjon. Ikke forsøk å nullstille innvirkning indikatoren. Gå til et autorisert servicesenter for tilbakestilling.

**MERK:** Svingmekanismen dreier ikke fritt i "indikert modus".

A	Rødt bånd
B	Normal modus
C	Indikert modus

#### Figur 5 – Skade på livline

**STÅLKABEL:** Sjekk stålkabelen for kutt, kink, ødelagte ledninger, sveisesprut, korrosjon, kjemiske kontaktområder, eller sterkt slitte områder. Skyv opp kabel støtfangeren og sjekk messingringer for sprekker eller skader og sjekk ståltauet for korrosjon og ødelagte ledninger.

**MERK:** Erstatt stålkabelopphenget hvis det er seks eller flere tilfeldige fordelt ødelagte ledninger i én bunt, eller tre eller flere ødelagte ledninger i en tråd i én bunt. En bunt på stålkabelen er kabellengden som trengs for en større gruppe av tråder for å fullføre en omdreining eller en vridning langs tauet. Erstatt stålkabelopphenget om det er noen ødelagte ledninger innenfor 25 mm på messingringene.

A	Krøll ståltau
B	Ødelagte ledninger
C	"Fuglbur" type
D	Sveisesprut

**ADVARSEL:** Ikke binde eller knute livlinen. Unngå kontakt med skarpe eller slipende overflater. Sjekk livlinen for kutt, slitasje, brannskade eller tegn på kjemisk skade. Smuss, forurensninger og vann kan redusere dielektriske egenskaper til livlinen. Vær forsiktig i nærheten av kraftledninger.

Kontroller alle systemkomponenter eller undersystemer i henhold til produsentens instruksjoner.

Registrer resultatene i inspeksjonsloggen.

**Utrygge eller Dfekte Forhold:** Hvis inspeksjonen avdekker et utrygt eller defekt forhold, må Sealed-Blok™ SRL fjernes fra tjeneste og du må ta kontakt med et autorisert servicesenter for å få den reparert.

**MERK:** Bare Capital Safety eller virksomheter med skriftlig godkjenning kan reparere dette utstyret. (Omfatter FAST-Line™ prosedyre).

### Figur 6 - i-Safe™ RFID-MERKE

**I-SAFE™ RFID-MERKE:** Sealed-Blok™ SRL omfatter et i-Safe™ merke for radiofrekvens (RFID). RFID-merket kan brukes sammen med den håndholdte i-Safe-avleseren og den nettbaserte portalen for å forenkle inspeksjon og lagerstyring og for å gjøre registreringer for fallsikringsutstyret. Hvis du er en førstegangsbruker, kontakt Capital Safetys kundeservice (se bakre omslag). Hvis du allerede er registrert, kan du gå til [www.capitalsafety.com/isafe.html](http://www.capitalsafety.com/isafe.html). Følg instruksjonene som følger med din håndholdte i-Safe-avleser eller les på nettsidene om hvordan du overfører data til nettloggen.

### Figur 7 - L x W x H / Kg (lbs)

Modeller	L x W x H / Kg (lbs)
3400950, 3400951	33.8 cm x 26.4 cm x 15.5 cm (13.3" x 10.4" x 6.1") / 12.2 Kg (27 lbs)
3400866, 3400867	38.6 cm x 30.5 cm x 17.8 cm (15.2" x 12.0" x 7.0") / 19.8 Kg (43.6 lbs)
3400971, 3400972	42.7 cm x 35.6 cm x 20.3 cm (16.8" x 14.0" x 8.0") / 26.6 Kg (58.7 lbs.)
3400656, 3400657, 3400658	42.7 cm x 35.6 cm x 31.2 cm (16.8" x 14.0" x 12.3") / 56.5 Kg (124.6 lbs.)

### VEDLIKEHOLD, SERVICE OG OPPBEVARING

- Rengjør SRL-en utvendig regelmessig med vann og mildt vaskemiddel. Plasser SRL slik at vannet kan renne ut. Rengjør etikettene etter behov.
- Rengjør livlinen med vann og et mildt vaskemiddel. Skyll og lufttørk fullstendig. Ikke bruk varme for å tørke livlinen. En overdreven opphoping av smuss, maling osv. kan forhindre at livlinen trekkes helt tilbake i huset og kan føre til en potensiell fare for fritt fall. Bytt ut livlinen dersom overdreven opphoping er tilstede.
- Ytterligere vedlikehold og service skal utføres av et autorisert servicesenter. Du må ikke demontere SRLen (omfatter ikke FAST-Line™-prosedyren. Se FAST-Line™ håndbok 5903076). MERK: Ikke smør noen del.
- Lagre SRL på et kjølig, tørt og rent sted, utenfor direkte sollys. Unngå områder der det kan finnes gasser fra kjemikalier. Inspiser SRLen nøye etter en lengre lagringsperiode.

### Materialer

Livline (galvanisert)	4,76 mm dia., 7x19 stålkabel, 16,68 kN minimum trekkstyrke
Livline (rustfritt stål)	4,76 mm dia., 7x19 stålkabel, 16,01 kN minimum trekkstyrke
Kabelguide	Nylon
Hus	Støpt aluminium
Kabelbuffer	Uretan
Husdeksel	Rustfritt stål
Forankringshåndtak	Rustfritt stål
Festemidler	Rustfritt stål
Hoveddrivaksel	Rustfritt stål
Sperrehaker	Rustfritt stål
Strammersenter	Galvanisert stål
Motorfjær	Galvanisert stål
Finishmaling	Ovnstørket polyester
Koblingskrok (belagt stål)	Forged Alloy Steel
Koblingskrok (rustfritt stål)	Rustfritt stål

**FORORD:** Denne vejledning beskriver installation og brug af Sealed-Blok™ selvoprullende livline (SRL). Den bør bruges som del af et medarbejdertræningsprogram som påkrævet af CE.

**VIGTIGT:** Før dette produkt tages i brug, skal produktidentifikationsoplysningerne fra Installations- og servicemærkaten på arket for udstyrsidentifikation bagest i denne "Generel brugs- og vedligeholdelsesvejledning" (5902392) registreres.



**GENERELLE HENVISNINGSFELTER TIL ORDLISTE:** De hvide henvisningsfelter til ordliste foran på denne anvisnings omslag henviser til "ordlisteemner" i "Generelle instruktioner vedrørende brug og vedligeholdelse" (5902392).



**KONKRETE HENVISNINGSFELTER TIL ORDLISTE:** Sorte Henvisningsfelter til ordliste foran på denne anvisnings omslag henviser til følgende ting:

**1:** Sealed-Blok™ SRL **2:** Forankringshåndtag **3:** Hus **4:** Livline **5:** Fanger  
**6:** RSQ-aktiveringsgreb **7:** Kabelskinne **8:** Id-mærkat **9:** Selvlåsende snapkrog

**UNDERVISNING:** Brugere af dette udstyr er ansvarlige for, at disse anvisninger er forstået, samt at de er uddannet i korrekt installation, brug og vedligeholdelse af dette udstyr. Brugere skal være klar over konsekvenserne ved forkert installation eller brug af udstyret. Denne brugsvejledning kan ikke bruges som erstatning for et undervisningsprogram. Undervisning skal gives med jævne mellemrum for at sikre, at brugere har de fornødne færdigheder.

**BESKRIVELSE:** Sealed-Blok™ SRL'er (selvoprullende livliner) leverer faldsikring og mobilitet for brugeren i et forsegleet indelukke, der er designet til at holde vigtige komponenter fri for snavs, fedt, vand og kemikalier.

**FORMÅL:** Sealed-Blok™ Selvoprullende livliner er designet til at være komponenter i et personligt faldsikringssystem (PFAS). De kan anvendes i de fleste situationer, hvor der er behov for en kombination af arbejdsmobilitet og faldsikring af arbejderne (inspektionsarbejde, alment konstruktionsarbejde, vedligeholdelsesarbejde, olieproduktion, arbejde i indsnævrede rum etc.). Visse Sealed-Blok™ SRL-modeller er udstyret med en indbygget hentningsfunktion. Disse modeller har de samme faldsikringsegenskaber, som de der er beskrevet ovenfor, når de anvendes i tilstanden uden hentningsfunktion. Ved brug af hentningsfunktionen kan disse modeller anvendes til nøddredning (hævning eller nedsenkning) af personale inden for kapacitetsområdet angivet nedenfor. Det er også tilladt at anvende hentningsmodeller til at hæve eller sænke materialer inden for det angivne kapacitetsområde. Andre Sealed-Blok™ SRL-modeller er udstyret med DBI-SALA RSQ-styret nedstigningsfunktion til selvredning/nedstigning eller assisteret undsætning. Se Capital Safety-vejledning 5903079 (Sealed-Blok™ Selvoprullende livline med hentning) og 5903078 (Sealed-Blok™ Selvoprullende livline).

**BEGRÆNSNINGER:** Installation og brug af udstyret er indskrænket af følgende begrænsninger:

- **STRUKTUR:** Den struktur, som Sealed-Blok™ SRL'en skal monteres på, skal kunne modstå de belastninger, som systemet påfører i tilfælde af fald (se *Systemkrav*).
- **SYSTEMKAPACITET:** Sealed-Blok™ SRL'er er konstrueret til at blive brugt af personer med en samlet vægt (person, tøj, redskaber osv.) mellem 34 kg og 140,6 kg. Visse enheder har en kapacitet på 190,5 kg. Der henvises til vejledningsmærkaten, hvor du kan se din enheds kapacitet. Der må aldrig kobles mere end én person til en enkelt SRL (selvoprullende livline) ved anvendelse til faldsikring.
- **MILJØMÆSSIGE FARER:** Når dette udstyr anvendes i miljøfarlige områder, kan det være nødvendigt at træffe yderligere forholdsregler for at undgå, at brugeren kan komme til skade, eller at udstyret beskadiges. Faremomenter kan omfatte, men er ikke begrænset til: stærk varme forårsaget af svejsning eller skæring af metal, ætsende kemikalier, havvand, højspændingsledninger, eksplosive eller giftige gasser, maskindele i bevægelse, skarpe kanter.
- **KOMPONENTKOMPATIBILITET:** SRL'en (den selvoprullende livline) er kun designet til brug sammen med Capital Safety-godkendte komponenter og delsystemer (se *Systemkrav*). Brugen af ikke-godkendte komponenter og delsystemer kan bringe udstyrets kompatibilitet i fare, og kan påvirke det komplette systems sikkerhed og pålidelighed.

**VIGTIGT:** Sealed-Blok™ SRL'en (Den selvoprullende livline) bør ikke anvendes sammen med et andet faldsikringssystem eller delsystem, med mindre det er godkendt af Capital Safety.

- **LÅSNINGSHASTIGHED:** Situationer, som ikke muliggør en uhindret faldvej, bør undgås. Arbejde i snævre eller trange områder vil muligvis ikke lade kroppen nå en tilstrækkelig hastighed til, at SRL'en (den selvoprullende livline) låser i tilfælde af et fald. Arbejde på langsomt rykkende materialer såsom sand eller korn giver muligvis ikke tilstrækkelig hastighed til, at SRL'en (den selvoprullende livline) låser. En uhindret vej er påkrævet, for at sikre at SRL'en (den selvoprullende livline) låser.

**SYSTEMKRAV:** Planlæg dit faldsikringssystem og hvordan det anvendes, inden du påbegynder arbejdet. Tag hensyn til alle faktorer der påvirker din sikkerhed før, under og efter et fald. Inkluder følgende overvejelser, når du planlægger dit system:

- **KROPSSTØTTE:** Der skal anvendes en helkropssele sammen med Sealed-Blok™ SRL'en (den selvoprullende livline). Selens samlingspunkt skal være over brugerens tyngdepunkt. Det er forbudt at anvende et kropsbælte sammen med SRL'en (den selvoprullende livline). Hvis der sker et fald, mens der bruges et kropsbælte, kan det medføre utilsigtet udløsning og mulig kvælning på grund af ukorrekt kropsstøtte. Udskiftning af udstyr eller systemkomponenter må ikke ske uden forudgående skriftlig tilladelse fra Capital Safety.
- **KOMPONENTERNES KOMPATIBILITET:** Med mindre andet er anført, må Capital Safety-udstyr kun bruges sammen med Capital Safety-godkendte komponenter og delsystemer. Udskiftning eller reparation af dele med ikke-godkendte komponenter eller delsystemer kan bringe udstyrets kompatibilitet i fare, og kan påvirke det komplette systems sikkerhed og pålidelighed:
  - Horisontale systemer - I applikationer hvor en SRL (selvoprullende livline) anvendes sammen med et horisontalt system (dvs. horisontale I-bjælker og trolley), skal SRL'en (den selvoprullende livline) og de horisontale systemkomponenter være kompatible.
  - Hentningssystemer - Når man anvender Capital Safetys SRL'er (selvoprullende livliner) med valgfrit hentningssystem, skal man sikre, at støttestrukturen (eksempelvis trefod, davit-arm) er kompatibel med SRL'ens (den selvoprullende livlines) sammenkobling, og at den er kompatibel med SRL'ens (den selvoprullende livlines) funktion, stabilitet og styrke.
- **FALDEAFSTAND:** Sørg for, at der er en uhindret faldsti, så du undgår at ramme et objekt ved et fald. Der anbefales en afstand på minimum 1,8 m fra arbejdsniveauet til niveauet nedeunder, eller til den nærmeste forhindring.

## INSTALLATION

**Planlægning:** Planlæg dit faldsikringsystem, inden du starter dit arbejde. Tag højde for alle faktorer, der påvirker din sikkerhed, inden, under og efter et fald. Overvej alle systemkrav og -begrænsninger.

**Forankring:** Vælg et forankringssted med minimale farer for frie fald og svingfald. Vælg et fast forankringspunkt der er i stand til at modstå de statiske belastninger.

**Figur 2 - Forankring og tilslutninger**

A	Forankring
B	Konnektor
C	Forankringskonnektor
D	Monteringsbeslag (hvis relevant)
E	Ben på trefod

## DRIFT

**ADVARSEL:** Dette udstyr må ikke ændres, eller bruges forkert med vilje. Rådspørg Capital Safety, hvis dette udstyr skal bruges i kombination med komponenter eller andre delsystemer end dem, der er beskrevet i denne vejledning. Visse kombinationer af delsystemer og komponenter kan forstyrre driften af dette udstyr. Udvis forsigtighed når dette udstyr bruges i nærheden af kørende maskineri, farlige strømførende ledninger, kemiske farer og skarpe kanter. Vikl ikke livlinen rundt om små strukturelle dele.

**ADVARSEL:** Kontakt din læge, hvis du har grund til at tvivle på, at du vil kunne klare stødet fra faldsikringen. Alder og fysisk form påvirker i høj grad en arbejders evne til at kunne modstå fald. Gravide kvinder og mindreårige må ikke anvende Capital Safetys selvoprullende livliner.

**Før hver anvendelse:** Inspicer omhyggeligt dette faldsikringsudstyr hver gang inden det anvendes for at sikre, at det er i god arbejdsmæssig stand. Se efter, om der er slidte eller beskadigede dele. Sørg for at alle bolte er til stede og er sikre. Kontrollér at livlinen ruller sig korrekt sammen ved at trække linen ud og langsomt lade den rulle sig ind. Hvis der er nogen tøven ved oprulningen, skal enheden returneres til et autoriseret servicecenter for et serviceeftersyn. Inspicér livlinen for flænger, flosser, brændemærker, sammentrykninger og tæring. Kontrollér låsemekanismen ved at trække hårdt i linen. Må ikke bruges, hvis inspektionen afslører en usikker tilstand.

**Efter et fald:** Alt udstyr, der har været udsat for kraftpåvirkningen ved at stoppe et fald, eller som udviser skader, der svarer til dem, der opstår ved en sådan kraftpåvirkning, skal øjeblikkeligt tages ud af brug, og sendes til et autoriseret servicecenter for serviceeftersyn.

**Kropsstøtte:** Der skal bæres fuld kropssele når Capital Safetys SRL'er (selvoprullende livliner) anvendes. Til generel faldsikringsbrug kobles den til den bageste D-ring (ryggen). Til situationer såsom klatren på stiger kan det være en god ide, at koble den fast forrest på selen. Dette er acceptabelt, såfremt det potentielle frie fald er meget kort og du nemt kan få fodfæste igen.

**VIGTIGT:** Brug ikke et kropsbælte til applikationer, der involverer frit fald.

**Oprettelse af sammenkoblinger:** Foretages sammenkoblingen med en krog, skal du sørge for, at linen ikke kan rulle ud. Undlad at bruge kroge eller konnektorer, der ikke lukker fuldstændigt over det tilkoblede emne. Brug ikke ikke-selvlåsende snapkrog. Monteringsoverfladen skal leve op til kravene til forankringsstyrke. Følg altid de vejledninger, som fabrikanten har leveret med hver systemkomponent.

**Figur 3- Brug**

A	Forankring
B	Konnektor
C	Forankringskonnektor
D	Selvopruddende livline
E	Faldsele

**Anvendelse:** Inspicér SRL'en (den selvopruddende livline) som påkrævet. Kobl SRL'en (den selvopruddende livline) til en passende forankring eller en forankringskonnektor, som tidligere beskrevet. Kobl den selvlåsende karabinhage i enden af livlinen til faldsikringsfastgørelsen (den fulde kropssæle). Se figur 3. Konnektorer skal være kompatible med hensyn til størrelse, form og styrke. Sørg for at karabinhagen er helt lukket og låst. Når først arbejderen er fastgjort, kan denne frit bevæge sig omkring inden for det anbefalede arbejdsområde ved normal hastighed. Hvis der skulle forekomme et fald, vil SRL'en (den selvopruddende livline) låse og stoppe faldet. Efter redning skal SRL'en (den selvopruddende livline) tages ud af brug. Under arbejde med en SRL (selvopruddende livline) skal du altid lade livlinen rulle tilbage i anordningen, mens du holder øje med den. Det kan være nødvendigt med en kort holdewire for at trække livlinen ud eller tilbage under forbindelses- eller frakoblingshandlinger. Hvis SRL'en (den selvopruddende livline) ikke har været brugt i længere tid, anbefaler vi, at du bruger en holdewire for at gøre det muligt for livlinen, at trække sig helt tilbage i kabinettet. Afhængig af arbejdsstedets miljø og forhold kan det være nødvendigt at fastgøre den frie ende af holdewiren for at forhindre, at den forårsager forstyrrelser eller vikler sig ind i udstyr eller maskineri.

**Hentning og RSQ-kontrolleret Nedstigning:** Sealed-Blok™ SRL'en (den selvopruddende livline) kan købes med valgfrie Hentnings- og RSQ-kontrollerede nedstigningsfunktioner, som tillader brug af SRL (selvopruddende livliner) til selvredning (RSQ), assisteret redning (hentning eller RSQ), og løftning og nedstigning af materialer (Hentning). Separate versioner af SRL-hentningsbetjeningsvejledning og SRL RSQ-Kontrolleret nedstigningsvejledning er inkluderet med de Sealed-Blok™ Shuttleer, der er udstyret med disse funktioner.

**DBI-SALA FAST-Line™-System:** Denne enhed er udstyret med DBI-SALA FAST-Line™-system, der tillader en hurtig og nem feltudskiftning af livlinen af en kompetent person, der er blevet korrekt oplært, og er autoriseret af Capital Safety. Forsøg ikke at udskifte livlinen uden først at have modtaget specifikke instruktioner. Kontakt Capital Safety for yderligere oplysninger om FAST-Line™. Der henvises til FAST-Line™-vejledningen 5903076 Rev A.

**ADVARSEL:** I de fleste tilfælde kan en udskiftning af livlinen ikke anses som værende et komplet serviceeftersyn. Der skal udføres en grundig inspektion af enheden af en kompetent person. Hvis snapkrogens belastningsindikator viser tegn på aktivering (se figur 4), skal enheden tages ud af service og gennemgå et komplet serviceeftersyn, herunder eftersyn af bremsen og de andre interne sikkerhedskomponenter. Hvis der er kendskab til, at belastningsindikatoren er aktiveret, men at enheden ikke har været brugt til faldsikring (eksempelvis hentningssituation), er det acceptabelt, at kun livlinen udskiftes, så længe resten af enheden viser sig fejlfri ved inspektionen.

## INSPEKTION

**INSPEKTIONSHYPPIGHED:** For at sikre tryk, effektiv anvendelse skal enheden inspiceres med følgende intervaller:

- **Før hver ibrugtagning:** Før hver ibrugtagning efterses udstyret for fejl i henhold til denne vejledning.
- **Årligt eftersyn:** Der skal gennemføres en formel inspektion af SRL'en (den selvopruddende livline) af en anden kompetent person<sup>1</sup> end brugeren. Det kan muligvis anbefales, at en kompetent person foretager mere hyppige inspektioner afhængig af arbejdspladsbetingelsernes natur og strenghed, idet disse kan påvirke udstyret, brugstilstandene og udstyrets eksponeringstid. Notér inspektionsresultaterne i inspektionsloggen. En optegnelse over årlige datoer for serviceeftersyn findes på SRL'ens (den selvopruddende livlines) identifikationsplade.

**VIGTIGT:** Ekstreme arbejdsforhold (barsk miljø, langvarig brug osv.) kan gøre det nødvendigt at øge inspektionshyppigheden.

- **Efter et fald:** Efterse belastningsindikatoren i overensstemmelse med figur 4 og hele SRL-vejledningen.

**Retningslinjer for eftersyn:** For at sikre tryk, effektiv drift skal Sealed-Block™ SRL'en (den selvopruddende livline) inspiceres ud fra vejledningerne i Table 1 med den angivne hyppighed.

**VIGTIGT:** Noter inspektionsresultaterne i Inspektions- og vedligeholdelsesloggen.

**VIGTIGT:** Ekstreme arbejdsforhold (barsk miljø, langvarig brug) kan gøre det nødvendigt at øge inspektionshyppigheden.

<sup>1</sup> En der er i stand til at identificere eksisterende og forudsigelige farer i omgivelserne, eller arbejdsforhold der er uhygiejniske, skadelige eller farlige for medarbejderne, og som har bemyndigelse til at tage øjeblikkelige, korrigerende forholdsregler i brug for at eliminere disse.

**VIGTIGT:** Kun Capital Safety eller parter, der er skriftligt bemyndiget, må foretage reparationer på udstyret.

**Table 1 - Inspektionsplan**

Komponent:	Inspektion:	Før hvert brug	Hvert år	Efter et fald
SRL (selvopruddende livline) (figur 1)	Efterse anordningen for løse bolte og bøjedede eller beskadigede dele.	X	X	X
	Efterse anordningens hus for forvridning, revner eller anden beskadigelse.	X	X	X
	Livlinen skal kunne trækkes helt ud og trækkes helt tilbage uden tøven, og uden at linen bliver slap.	X	X	X
	Sørg for at anordningen låser, når der pludseligt trækkes hårdt i livlinen. Låsning skal være fast uden slip (RSQ-tilstand). *	X	X	X
	Mærkaterne skal være til stede og helt læselige.	X	X	X
	Efterse hele enheden for tegn på korrosion.	X	X	X
Tilkoblingskrog og belastningsindikator (figur 4)	Efterse tilkoblingskroge, hvis relevant, for tegn på beskadigelse, korrosion og funktionstilstand. Drejeleddet skal dreje frit. Undersøg belastningsindikatoren i overensstemmelse med figur 4.	X	X	X
Stålkabel (figur 5)	Efterse livline for snit, kinker, brudte kabler, sammenpressede ydre kabellag (såkaldt fuglebure), korrosion, svejseprøjt, områder med kemikaliekontakt eller alvorligt slidte områder. Skub kabelfangeren op og efterse ferruler for revner og beskadigelse, og efterse stålkablet for korrosion og ødelagte tråde.	X	X	X
Hentningskomponenter	Inspicer SRL'en (den selvopruddende livlines) hentningskomponenter, hvis disse er på anordningen, ud fra de procedurer, der er defineret i den medfølgende SRL-hentningsbetjeningsvejledning (5903079).	X	X	X
RSQ-Kontrollerede nedstigningskomponenter	Inspicer SRL RSQ-Kontrollerede nedstigningskomponenter, hvis disse er på anordningen, ud fra de procedurer, der er defineret i den medfølgende SRL-Betjeningsvejledning for RSQ-Kontrolleret nedstigning (5903080).	X	X	X

\* Med mindre det er beskrevet i udstyrets relevante vejledning, når det anvendes i RSQ-tilstand.

**Figur 4 - Belastningsindikator**

**BELASTNINGSINDIKATOR:** For at inspicere belastningsindikatoren skal du se efter det eksponerede farvebånd som vist i 4. Hvis kroge er i "indikeret tilstand", har anordningen været udsat for fuld belastning. De SRL'er (selvopruddende livliner) der har været udsat for overbelastning skal tages ud af service med henblik på inspektion. Forsøg ikke at nulstille belastningsindikatoren. Få den nulstillet hos et autoriseret servicecenter.

**BEMÆRK:** Drejeleddet vil ikke dreje frit i "indikeret tilstand."

A	Rødt bånd
B	Normal tilstand
C	Indikeret tilstand

**Figur 5 - Skade på livline**

**KABELREB:** Efterse livline for snit, kinker, brudte kabler, sammenpressede ydre kabellag (såkaldt fuglebure), korrosion, svejseprøjt, områder med kemikaliekontakt eller alvorligt slidte områder. Skub kabelfangeren op og efterse ferruler for revner og beskadigelse, og efterse stålkablet for korrosion og ødelagte tråde.

**BEMÆRK:** Udskift stålkabelsamlingen, hvis der er seks eller flere tilfældigt fordelte ødelagte tråde i et lag, eller tre eller flere ødelagte tråde i en streng i et lag. Et "lag" stålkabel er den længde stålkabel, der skal til, for at en streng (de større grupper af tråde) kan nå en omgang eller snoning langs rebet. Udskift stålkabelsamlingen, hvis der er nogle ødelagte tråde inden for 25 mm (1 tomme) af ferrulerne.

A	Kinket linekabel
B	Brudte kabler
C	Fuglebur
D	Svejseprøjt

**ADVARSEL:** Undgå at binde livlinen sammen eller at binde knuder på den. Undgå at livlinen får kontakt med skarpe eller slibende overflader. Efterse hyppigt livlinen for snit, flossede kanter, forbrænding, eller tegn på kemikaliebeskadigelse. Snavs, urenheder og vand kan reducere livlinens dielektriske egenskaber. Udvis forsigtighed nær højspændingsledning.

Efterse alle systemkomponenter og delsystemer i overensstemmelse med fabrikantens anvisninger.

Noter inspektionsresultaterne i Inspektionsloggen.

**Usikre eller Defekte Tilstande:** Hvis eftersynet afslører usikre eller defekte tilstande, skal Sealed-Blok™ SRL'en (den selvoprullende livline) tages ud af drift øjeblikkeligt, og et autoriseret servicecenter kontaktes med henblik en reparation.

**BEMÆRK:** Kun Capital Safety, eller parter med en skriftlig tilladelse, må foretage reparationer på dette udstyr. (Udelukker FAST-Line™-procedure).

### Figur 6 - i-Safe™ RFID-mærkat

**I-SAFE™ RFID-MÆRKAT:** Sealed-Blok™ SRL'en (den selvoprullende livline) inkluderer et i-Safe™ Radio trådløst identifikationsmærkat (RFID). RFID-mærkatet kan bruges sammen med det håndholdte i-Safe aflæsningsapparat og en web-baseret portal til at gøre inspektion og lagerstyring nemmere, og give relevant dokumentation for faldsikringsudstyret. Hvis du er førstegangsbriker, skal du kontakte en Capital Safety-kundeservicerepræsentant (se bagsiden), eller gå til [www.capitalsafety.com/isafe.html](http://www.capitalsafety.com/isafe.html), hvis du allerede har registreret dig. Følg de anvisninger som fulgte med den i-Safe håndholdte aflæser, eller som er at finde på webportalen, for at overføre data til web-loggen.

### Figur 7 - L x W x H / Kg (lbs)

Modeller	L x W x H / Kg (lbs)
3400950, 3400951	33.8 cm x 26.4 cm x 15.5 cm (13.3" x 10.4" x 6.1") / 12.2 Kg (27 lbs)
3400866, 3400867	38.6 cm x 30.5 cm x 17.8 cm (15.2" x 12.0" x 7.0") / 19.8 Kg (43.6 lbs)
3400971, 3400972	42.7 cm x 35.6 cm x 20.3 cm (16.8" x 14.0" x 8.0") / 26.6 Kg (58.7 lbs.)
3400656, 3400657, 3400658	42.7 cm x 35.6 cm x 31.2 cm (16.8" x 14.0" x 12.3") / 56.5 Kg (124.6 lbs.)

### VEDLIGEHOLDELSE, SERVICE OG OPBEVARING

- Rengør regelmæssigt SRL'en (den selvoprullende livline) udvendigt med vand og en mild sæbeopløsning. Placer SRL'en (den selvoprullende livline) sådan at overskydende vand kan løbe fra. Rengør mærkaterne efter behov.
- Rengør livlinen med vand og en mild sæbeopløsning. Skyl og lufttør grundigt. Undlad hurtig tørring med varme. Overdreven ophobning af snavs, maling etc. kan forhindre livlinen i at trække sig helt tilbage i huset, hvilket muligvis kan udgøre en risiko ved frit fald. Udskift livlinen, hvis der er opstået overdreven ophobning.
- Yderligere vedligeholdelses- og serviceprocedurer skal foretages af et autoriseret servicecenter. Forsøg ikke at skille SRL'en (den selvoprullende livline) ad (gælder ikke ved FAST-Line™-procedure. Vi henviser til FAST-Line™-manualen 5903076). BEMÆRK: Smør ikke delene.
- Opbevar SRL'en (den selvoprullende livline) på et køligt, tørt og rent sted væk fra direkte sollys. Undgå steder hvor der kan være kemikaliedampe. Efterse altid SRL'en (den selvoprullende livline) grundigt efter længere opbevaring.

### Materialer

Livline (Galvaniseret)	4,76 mm dia., 7x19 stålkabel 16,68 kN minimum brudstyrke
Livline (rustfrit stål)	4,76 mm dia., 7x19 stålkabel 16,01 kN minimum brudstyrke
Kabelskinne	Nylon
Hus	Støbealuminium
Kabelfanger	Urethan
Husdækken	Rustfrit stål
Forankringshåndtag	Rustfrit stål
Fastgørelseselementer	Rustfrit stål
Hovedaksel	Rustfrit stål
Spærrehager	Rustfrit stål
Palcenter	Kulstofstål
Motorfjeder	Kulstofstål
Lakmaling	Polyesterbagt lak
Tilkoblingskrog (zinkbeklædt stål)	Smedet stållegering
Tilkoblingskrog (rustfrit stål)	Rustfrit stål







EN

**LIMITED LIFETIME WARRANTY**

**Warranty to End User:** CAPITAL SAFETY warrants to the original end user ("End User") that its products are free from defects in materials and workmanship under normal use and service. This warranty extends for the lifetime of the product from the date the product is purchased by the End User, in new and unused condition, from a CAPITAL SAFETY authorised distributor. CAPITAL SAFETY'S entire liability to End User and End User's exclusive remedy under this warranty is limited to the repair or replacement in kind of any defective product within its lifetime (as CAPITAL SAFETY in its sole discretion determines and deems appropriate). No oral or written information or advice given by CAPITAL SAFETY, its distributors, directors, officers, agents or employees shall create any different or additional warranties or in any way increase the scope of this warranty. CAPITAL SAFETY will not accept liability for defects that are the result of product abuse, misuse, alteration or modification, or for defects that are due to a failure to install, maintain, or use the product in accordance with the manufacturer's instructions. THIS WARRANTY IS THE ONLY WARRANTY APPLICABLE TO OUR PRODUCTS AND IS IN LIEU OF ALL OTHER WARRANTIES AND LIABILITIES, EXPRESSED OR IMPLIED.

**Garantie limitée à vie**

**Garantie de l'utilisateur final :** CAPITAL SAFETY garantit à l'utilisateur final d'origine (« Utilisateur final ») que ses produits sont exempts de défauts de matériaux et de fabrication dans des conditions d'utilisation et d'entretien normales. Cette garantie s'étend pendant toute la durée de vie du produit à compter de la date d'achat du produit par l'utilisateur final, comme produit neuf et inutilisé, auprès d'un distributeur agréé. L'entière responsabilité de CAPITAL SAFETY envers l'utilisateur final et le recours exclusif de l'utilisateur final dans le cadre de cette garantie se limite à la réparation ou au remplacement en nature de tout produit défectueux pendant sa durée de vie (si CAPITAL SAFETY, à sa seule discrétion, le juge nécessaire). Aucune information ni aucun conseil, qu'ils soient oraux ou écrits, donnés par CAPITAL SAFETY, ses distributeurs, directeurs, responsables, agents ou employés ne créera de garanties différentes ou supplémentaires ni n'augmentera l'étendue de cette garantie. CAPITAL SAFETY n'assurera en aucun cas la responsabilité de défauts résultant d'une utilisation abusive du produit, de sa mauvaise utilisation, de son altération ou de sa modification, ou de défauts découlant du non-respect des instructions du fabricant en matière d'installation, d'entretien ou de conditions d'utilisation. CETTE GARANTIE EST LA SEULE GARANTIE APPLICABLE À NOS PRODUITS ET ELLE REMPLACE TOUTES LES AUTRES GARANTIES ET RESPONSABILITÉS EXPRIMÉES OU IMPLICITES.

FR

IT

**Garanzia di durata limitata**

**Garanzia dell'utente finale:** CAPITAL SAFETY garantisce all'utente finale originale (di seguito "Utente finale") che i suoi prodotti sono privi di difetti dei materiali e di fabbricazione se utilizzati nelle normali condizioni d'uso e di servizio. La garanzia copre l'intera durata del prodotto dalla data di acquisto del prodotto da parte dell'Utente finale come prodotto nuovo e mai usato da un distributore autorizzato CAPITAL SAFETY. La responsabilità complessiva di CAPITAL SAFETY nei confronti dell'Utente finale e il ricorso esclusivo dell'Utente finale ai sensi della presente garanzia sono limitati alla riparazione o alla sostituzione in natura dei prodotti difettati entro la durata (così come stabilita a propria esclusiva discrezione da CAPITAL SAFETY). Eventuali informazioni orali o scritte o consigli forniti da CAPITAL SAFETY, dai suoi distributori, direttori, funzionari, agenti o dipendenti non potranno in alcun modo dare origine a garanzie diverse o aggiuntive né potranno ampliare l'ambito della presente garanzia. CAPITAL SAFETY non potrà essere ritenuta responsabile dei difetti derivati da un cattivo o errato utilizzo del prodotto, da alterazioni o modifiche o da difetti dovuti ai mancati installazione, manutenzione o uso del prodotto in conformità alle istruzioni del produttore. LA PRESENTE GARANZIA È L'UNICA GARANZIA APPLICABILE AI NOSTRI PRODOTTI E SOSTITUISCE QUALSIASI ALTRA GARANZIA E RESPONSABILITÀ, ESPRESSE O IMPLICITE.

**Lebenslange Garantie mit Einschränkung**

**Endbenutzer-Garantie:** CAPITAL SAFETY garantiert dem ursprünglichen Endbenutzer („Endbenutzer“), dass seine Produkte unter normalem Gebrauch und Betrieb frei von Material- und Herstellungsfehlern sind. Diese Garantie erstreckt sich auf die Lebensdauer des Produkts ab dem Datum, an dem der Endbenutzer das Produkt neu und ungebraucht von einem durch CAPITAL SAFETY autorisierten Händler gekauft hat. Die gesamte Haftung von CAPITAL SAFETY dem Endbenutzer gegenüber und der einzige Anspruch des Endbenutzers ist gemäß dieser Garantie beschränkt auf die Reparatur oder den Ersatz von defekten Produkten innerhalb ihrer Lebensdauer (eine Einschätzung diesbezüglich wird von CAPITAL SAFETY nach eigenem Ermessen durchgeführt). Keine von CAPITAL SAFETY schriftlich oder mündlich an Händler, Vorstandsmitglieder, Führungskräfte, Agenten oder Angestellte übergebenen Informationen oder Hinweise ergeben jegliche andere oder zusätzliche Gewährleistungen, noch erhöhen sie den Umfang dieser Garantie. CAPITAL SAFETY schließt eine Haftung für Defekte aufgrund von unsachgemäßem Gebrauch, Änderungen oder Modifikationen am Produkt sowie für Defekte, die darauf zurückzuführen sind, dass das Produkt nicht gemäß der Anweisungen des Herstellers montiert, gewartet und verwendet wurde, aus. DIESE GARANTIE IST DIE EINZIG GÜLTIGE GARANTIE FÜR UNSERE PRODUKTE UND GILT ANSTELLE VON ALLEN ANDEREN GARANTIEEN UND HAFTUNGSBEDINGUNGEN, SEI ES AUSDRÜCKLICH ODER STILLSCHWEIGEND.

DE

ES

**Garantía limitada de por vida**

**Garantía para el Usuario final:** CAPITAL SAFETY garantiza al usuario final original ("Usuario final") que sus productos están libres de defectos en materiales y mano de obra bajo condiciones normales de uso y servicio. Esta garantía abarca toda la vida útil del producto, desde la fecha de compra del producto por parte del Usuario final, en estado nuevo y sin uso, a un distribuidor autorizado de CAPITAL SAFETY. Toda la responsabilidad de CAPITAL SAFETY para con el Usuario final y el recurso exclusivo del Usuario final en virtud de esta garantía, se limita a la reparación o sustitución en especie de cualquier producto defectuoso dentro de su vida útil (como CAPITAL SAFETY lo determine y estime conveniente a su sola discreción). Ninguna información oral o escrita, o información dada por CAPITAL SAFETY, sus distribuidores, directores, técnicos, agentes o empleados, creará ninguna garantía distinta o adicional, ni de alguna manera ampliará el alcance de esta garantía. CAPITAL SAFETY no acepta responsabilidad por defectos que sean resultado del abuso, mal uso, alteración o modificación del producto, ni por los defectos que se deban a una instalación, mantenimiento o utilización que no esté de acuerdo con las instrucciones del fabricante. ESTA GARANTÍA ES LA ÚNICA GARANTÍA APLICABLE A NUESTROS PRODUCTOS Y SUSTITUYE A CUALQUIER OTRA GARANTÍA O RESPONSABILIDAD, EXPRESA O IMPLÍCITA.

**Garantia vitalícia limitada**

**Garantia de utilizador final:** a CAPITAL SAFETY garante ao utilizador final original ("Utilizador Final") que os seus produtos estão isentos de defeitos de materiais e de fabrico ao abrigo de uma utilização e serviço normal. Esta garantia prolonga-se pela duração da vida útil do produto desde a data de aquisição do produto pelo Utilizador Final, em condição nova e não usada, junto de um distribuidor autorizado da CAPITAL SAFETY. A responsabilidade integral da CAPITAL SAFETY perante o Utilizador Final e o recurso exclusivo do Utilizador Final ao abrigo desta garantia está limitado à reparação ou substituição de qualquer produto defeituoso no decorrer da sua vida útil (consoante apropriado e determinado exclusivamente segundo o critério exclusivo da CAPITAL SAFETY). Nenhuma informação escrita ou oral ou conselho fornecido pela CAPITAL SAFETY, seus distribuidores, directores, representantes, agentes ou funcionários irá criar garantias diferentes ou adicionais ou de qualquer forma aumentará o âmbito desta garantia. A CAPITAL SAFETY não aceitará responsabilidade por defeitos resultantes de abuso, utilização incorreta, alteração ou modificação, ou por defeitos do produto que resultem de um incumprimento de instalação, manutenção ou utilização do produto de acordo com as instruções do fabricante. ESTA GARANTIA É A ÚNICA GARANTIA APLICÁVEL AOS NOSSOS PRODUTOS E EXISTE EM DETRIMENTO DE QUAISQUER OUTRAS GARANTIAS E RESPONSABILIDADES, EXPRESSAS OU IMPLÍCITAS.

PT

SW

**Begränsad livstidsgaranti**

**Garanti för slutanvändare:** CAPITAL SAFETY garanterar den ursprungliga slutanvändaren (slutanvändaren) att produkterna inte har några material- eller produktionsfel vid normal användning och service. Garantin omfattar produktens livslängd från det datum då produkten köps av slutanvändaren i nytt och oanvänt skick från en auktoriserad återförsäljare för CAPITAL SAFETY. CAPITAL SAFETY'S hela ansvarsskyldighet gentemot slutanvändaren och slutanvändarens enda gottgörelse inom ramen för denna garanti begränsas till reparation eller byte av trasiga produkter under deras livslängd (enligt vad CAPITAL SAFETY bestämmer och bedömer som lämpligt efter eget gottfinnande). Inga muntliga eller skriftliga uppgifter eller råd från CAPITAL SAFETY, dess återförsäljare, chefer, tjänstemän, företrädare eller anställda får upprätta några andra eller ytterligare garantier eller på något sätt ändra garantins omfattning. CAPITAL SAFETY tar inget ansvar för fel som uppstår på grund av felaktig användning, missbruk, ändring eller modifiering av produkten eller fel som uppstår på grund av att produkten inte har monterats, underhållits eller använts i enlighet med tillverkarens anvisningar. DENNA GARANTI ÄR DEN ENDA GARANTIN SOM GÄLLER FÖR VÅRA PRODUKTER OCH DEN ERSÄTTER ALLA ANDRA GARANTIER OCH ANSVAR, BÅDE UTTRYKTLIGA OCH UNDERFÖRSTÅDA.

**Rajotettu käyttöiän aikainen takuu**

**Takuu loppukäyttäjälle:** CAPITAL SAFETY takaa alkuperäiselle loppukäyttäjälle ("loppukäyttäjä"), ettei sen tuotteissa esiinny materiaali- tai valmistusvirheitä normaalissa käytössä ja normaalisti huollettuna. Tämä takuu kattaa tuotteen normaalin käyttöiän siitä päivästä alkaen, kun loppukäyttäjä ostaa tuotteen uutena ja käyttämättömänä valtuutetulta CAPITAL SAFETY -jälleenmyyjältä. CAPITAL SAFETY:n ainoa korvausvelvollisuus loppukäyttäjää kohtaan ja loppukäyttäjän ainoa hyvitys tämän takuun puitteissa vaillians tuotteen korjaukseen tai vastaavaan tuotteen vaihtoon tuotteen käyttöiän aikana (CAPITAL SAFETY:n harkintansa mukaan määrättävällä ja sopivaksi katsomalla tavalla). Mitkään CAPITAL SAFETY:n sen jälleenmyyjien, johtajien, toimihenkilöiden, edustajien tai työntekijöiden antamat suulliset tai kirjalliset tiedot tai ohjeet eivät muuta tämän takuan sisältöä eivätkä millään tavalla laajenna sitä. CAPITAL SAFETY ei vastaa vioista, jotka johtuvat tuotteen väärinkäytöstä tai muuttamisesta, eikä vioista, jotka johtuvat tuotteen asennusta, kunnossapitoa ja käyttöä koskevien valmistajan ohjeiden laiminlyönnistä. TÄMÄ TAKUU ON AINOA TUOTTEISIINME SOVELLETTAVA TAKUU, JA SE KORVAA KAIKKI MUUT NIMENOMAISET JA OLETETUT TAKUUT JA KORVAUSVELVOLLISUUDET.

FI

NO

**Begrenset livstidsgaranti**

**Garanti for sluttbruker:** CAPITAL SAFETY garanterer den opprinnelige sluttbrukeren ("Sluttbrukeren") at materialene og håndverket som gikk med i tilvirkningen av produktene er uten defekter i sammenheng med vanlig bruk. Garantien gjelder for produktets livstid fra datoen Sluttbrukeren kjøper produktet i ny og ubrukt stand fra en autorisert leverandør av CAPITAL SAFETY. CAPITAL SAFETY'S fulle og hele ansvar overfor Sluttbrukeren og Sluttbrukerens eneste rettighet under denne garantien er begrenset til reparasjon og erstatning i natura for alle defekte produkter innen sin livstid (som CAPITAL SAFETY anslår og anser som passende etter sitt eget forgodtbefinnende). Verken muntlig eller skriftlig rådgivning fra CAPITAL SAFETY eller dets leverandører, styremedlemmer, ledere, agenter eller ansatte skal opprette ulike eller ytterligere garantier, eller på noen måte utvide omfanget til denne garantien. CAPITAL SAFETY tar ikke ansvar for defekter som er resultatet av produktmisbruk, misbruk, endring eller modifikasjon, eller defekter som skyldes montering, vedlikehold eller bruk som ikke samsvarer med produsentens anvisninger. DENNE GARANTIE ER DEN ENESTE GARANTIE SOM GJELDER FOR VÅRE PRODUKTER. DEN GJELDER I STEDET FOR ALLE ANDRE GARANTIER OG ALT ANNET ANSVAR, BÅDE UTTRYKT OG UNDERFORSTÅTT.

**Begrænset levetidsgaranti**

**Slutbrugergaranti:** CAPITAL SAFETY garanterer over for sluttbrukeren ("Slutbruger"), at virksomhedens produkter er fri for defekter i materialer og udførelse, når de anvendes under normale forhold. Denne garanti gælder i produktets levetid fra den dato, Slutbruger køber produktet i ny og ubruget stand fra en af CAPITAL SAFETY autoriseret distributør. CAPITAL SAFETY'S fulde ansvar over for Slutbruger samt Slutbrugers eksklusive retsmiddel begrænses sig i henhold til nærværende garanti til reparation eller erstatning af defekte produkter inden for deres levetid (udelukkende efter CAPITAL SAFETY'S skøn og vurdering). Ingen muntlige eller skriftlige oplysninger eller råd fra CAPITAL SAFETY, virksomhedens distributører, direktører, funktionærer, repræsentanter eller medarbejdere kan udgøre en anden eller yderligere garanti, eller på nogen måde udvide nærværende garanti. CAPITAL SAFETY påtager sig intet ansvar for defekter, der er forårsaget af misbrug, forkert brug, ændringer eller modifikation af produktet, eller for defekter, der skyldes installation, vedligeholdelse eller brug af produktet, der er i modstrid med producentens anvisninger. DENNE GARANTI ER DEN ENESTE GARANTI, DER ER GÆLDENDE FOR VORES PRODUKTER, OG DEN TRÆDER I STEDET FOR ALLE ANDRE GARANTIER, UDTRYKKELEGE ELLER UNDERFORSTÅEDE.

DA

SK

**Obmedzená doživotná záruka**

**Záruka pre koncového používateľa:** Spoločnosť CAPITAL SAFETY zaručuje pôvodnému koncovému používateľovi (ďalej len „Koncový používateľ“), že jej výrobky sú bez chýb materiálu a vyhotovenia pri bežnom používaní a servise. Táto záruka platí po celú dobu životnosti výrobku, od dátumu, kedy bol výrobok zakúpený Koncovým používateľom, v novom a nepoužívanom stave, od autorizovaného distribútora spoločnosti CAPITAL SAFETY. Celkové ručenie spoločnosťou CAPITAL SAFETY voči Koncovému používateľovi a výhradný nápravny prostriedok podľa tejto záruky sa obmedzuje na fyzickú opravu alebo výmenu každého chybného výrobku po dobu jeho životnosti (ako spoločnosť CAPITAL SAFETY určí podľa svojho vlastného uváženia a aké považuje za primerané). Žiadne ústne alebo písomné informácie ani rady poskytnuté spoločnosťou CAPITAL SAFETY, jej distribútormi, štatutárnymi predstaviteľmi, riaditeľmi, zástupcami alebo zamestnancami nezadávajú žiadne iné ani ďalšie záruky, ani akýmkoľvek spôsobom nerozširujú rozsah tejto záruky. Spoločnosť CAPITAL SAFETY neručí za chyby spôsobené nevhodným, neodborným používaním výrobku, jeho úpravami alebo zmenami, ani za chyby, spôsobené nesprávnou inštaláciou, údržbou alebo používaním výrobku v rozpore s pokynmi výrobcu. TÁTO ZÁRUKA JE JEDINÁ ZÁRUKA NA NAŠE VÝROBKY A NAHRÁDZA VŠETKY OSTATNÉ ZÁRUKY A ZODPOVEDNOSTI, ČI UŽ POTVRDENÉ SLOVNE ALEBO IMPLÍCITNE.

**BEPERKTE LEVENSLANGE GARANTIE**

**Garantie voor eindgebruiker:** CAPITAL SAFETY garandeert de oorspronkelijke eindgebruiker ("eindgebruiker") dat zijn producten bij normaal gebruik en service vrij zijn van defecten in materialen en vakmanschap. Deze garantie strekt zich uit tot de levensduur van het product vanaf de datum waarop het product in nieuwstaat en in ongebruikte toestand door de eindgebruiker wordt aangeschaft bij een door CAPITAL SAFETY geautoriseerde distributeur. De gehele aansprakelijkheid van CAPITAL SAFETY jegens de eindgebruiker en de enige remedie die de eindgebruiker ter beschikking staat onder deze garantie, is beperkt tot het repareren of vervangen van het defecte product binnen zijn levensduur (uitsluitend zoals CAPITAL SAFETY naar eigen goeddunken bepaalt en van toepassing acht). Geen enkele informatie of geen enkel advies, mondeling of schriftelijk, verstrekt door CAPITAL SAFETY, diens distributeurs, directeurs, functionarissen, agenten of medewerkers creëert andere of aanvullende garanties en vergroot in geen enkel geval de reikwijdte van deze garantie. CAPITAL SAFETY neemt geen aansprakelijkheid voor defecten die het gevolg zijn van misbruik, verkeerd gebruik, verandering of aanpassing van het product, of voor defecten die het gevolg zijn van het niet opvolgen van de instructies van de fabrikant bij het installeren, onderhouden of gebruiken van het product. DEZE GARANTIE IS DE ENIGE GARANTIE DIE VAN TOEPASSING IS OP ONZE PRODUCTEN EN TREEDT NIET IN DE PLAATS VAN ANDERE UITDRUKKELEKE OF STILZWIGENDE GARANTIES EN AANSPRAKELIJKHEDEN.

NL



The Ultimate in Fall Protection

**CSG USA & Latin America**

3833 SALA Way  
Red Wing, MN 55066-5005  
Toll Free: 800.328.6146  
Phone: 651.388.8282  
Fax: 651.388.5065  
solutions@capitalsafety.com

**CSG Canada**

260 Export Boulevard  
Mississauga, ON L5S 1Y9  
Phone: 905.795.9333  
Toll-Free: 800.387.7484  
Fax: 888.387.7484  
info.ca@capitalsafety.com

**CSG Northern Europe**

5a Merse Road  
North Moons, Moat  
Reditch, Worcestershire, UK  
B98 9HL  
Phone: + 44 (0)1527 548 000  
Fax: + 44 (0)1527 591 000  
csgne@capitalsafety.com

**CSG EMEA  
(Europe, Middle East, Africa)**

Le Broc Center  
Z.I. 1ère Avenue  
5600 M B.P. 15 06511  
Carros  
Le Broc Cedex  
France  
Phone: + 33 4 97 10 00 10  
Fax: + 33 4 93 08 79 70  
information@capitalsafety.com

**CSG Australia & New Zealand**

95 Derby Street  
Silverwater  
Sydney NSW 2128  
AUSTRALIA  
Phone: +(61) 2 8753 7600  
Toll-Free : 1 800 245 002 (AUS)  
Toll-Free : 0800 212 505 (NZ)  
Fax: +(61) 2 87853 7603  
sales@capitalsafety.com.au

**CSG Asia**

*Singapore:*  
16S, Enterprise Road  
Singapore 627666  
Phone: +65 - 65587758  
Fax: +65 - 65587058  
inquiry@capitalsafety.com

*Shanghai:*

Rm 1406, China Venturetech Plaza  
819 Nan Jing Xi Rd,  
Shanghai 200041, P R China  
Phone: +86 21 62539050  
Fax: +86 21 62539060

[www.capitalsafety.com](http://www.capitalsafety.com)

