



The Ultimate in Fall Protection

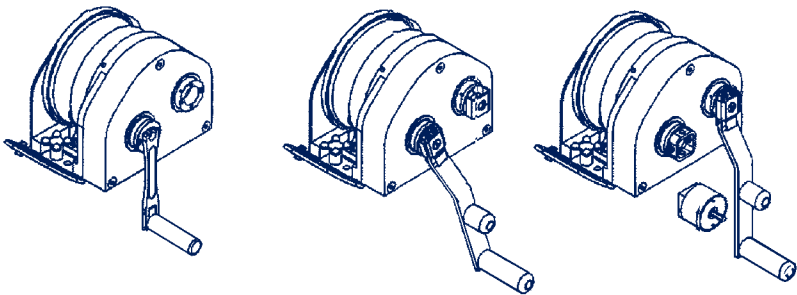
Instructions for the following series products:

Digital Winch

See the back pages for specific model numbers

**USER INSTRUCTION MANUAL
DBI-SALA ADVANCED DIGITAL WINCH**

This manual is intended to meet industry standards, including OSHA 1910.146 and ANSI Z117.1, and should be used as part of an employee training program as required by OSHA.

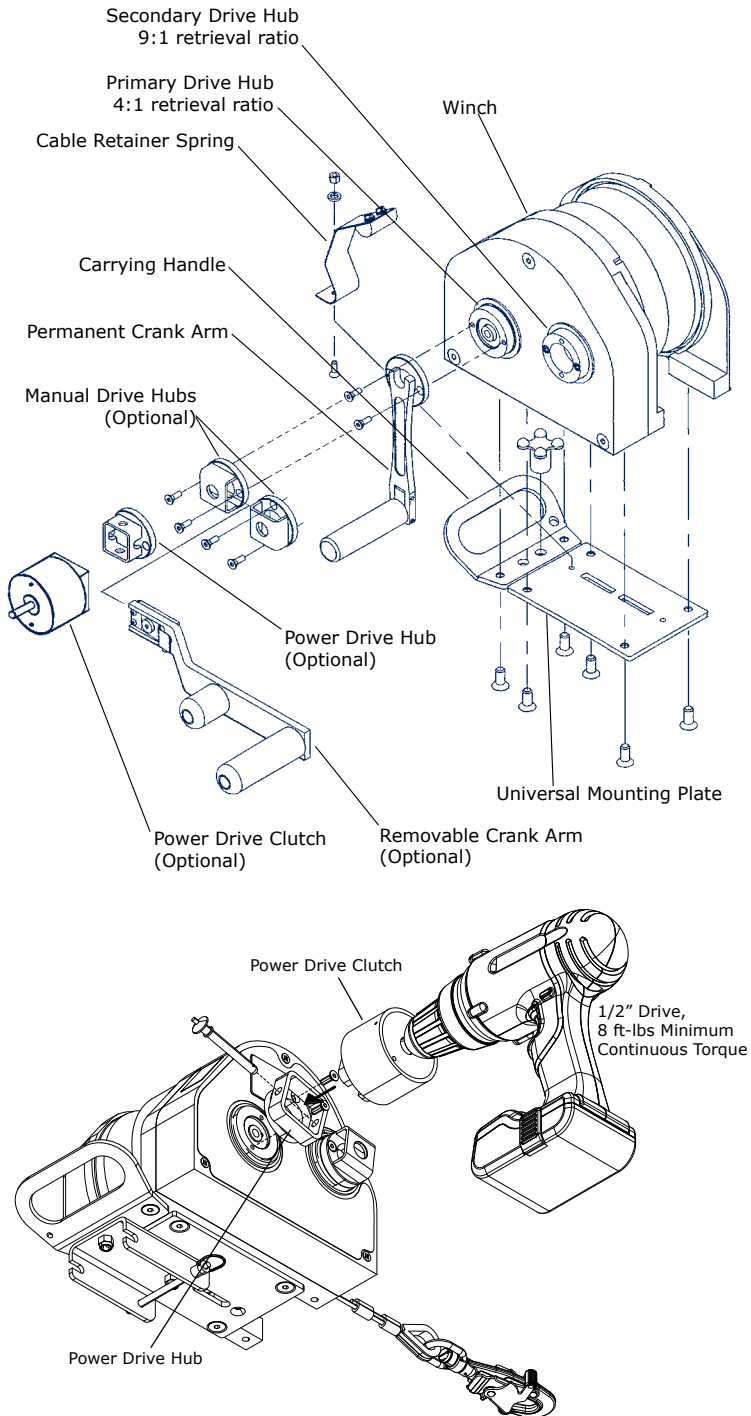


WARNING: *This product is to be used as part of a complete system. These instructions must be provided to the user of this equipment. The user must read and understand these instructions before using this equipment. The user must follow the manufacturer's instructions for each component of the complete system. Manufacturer's instructions must be followed for proper use and maintenance of this product. Alterations or misuse of this product, or failure to follow instructions may result in serious injury or death.*

IMPORTANT: *If you have questions on the use, care, application, or suitability for use of this safety equipment, contact DBI-SALA.*

IMPORTANT: *Before using this equipment record the product identification information from the ID label on the winch in the inspection and maintenance log in section 9.0 of this manual.*

Figure 1 - Parts Identifications



DESCRIPTIONS

Digital Winches:

100 Series Winch: 100 feet (30 m) of 3/16 inch (5 mm) wire rope.

200 Series Winch: 200 feet (61 m) of 3/16 inch (5 mm) wire rope.

300 Series Winch: 300 feet (91 m) of 3/16 inch (5 mm) wire rope.

1.0 APPLICATIONS

1.1 PURPOSE: DBI-SALA Digital Series Winches are to be used for work positioning, personnel riding, material handling, climbing protection, or rescue and evacuation. These winch models are to be used with a DBI-SALA tripod, davit arm, or other support structure, and may be used in situations where personnel or materials need to be raised or lowered up to 300 feet (91.4 m).

1.2 WINCH APPLICATION TYPES:

A. WORK POSITIONING: The Digital Winch is used to suspend the worker in a work position, acting as the primary means of support. Applications include suspending a worker in a work seat or harness. A back-up personal fall arrest system (PFAS) must be attached to the suspended employee.

NOTE: OSHA requires that manual or powered winches be independently evaluated and classified for use as a single point suspension system. See OSHA regulation 29 CFR 1926.451, and 29 CFR 1910.28.

B. PERSONNEL RIDING: The Digital Winch is used to raise or lower a worker to a work level. At the work level the worker is no longer supported by the winch. A back-up PFAS must be attached to the employee while riding the winch.

C. RESCUE AND EVACUATION: The Digital Winch is used to raise or lower an endangered or injured worker, or rescue personnel. Applications include permit and non-permit confined space entry work. When possible, in emergency rescue or evacuation situations, use a back-up PFAS.

D. CLIMBING PROTECTION: The Digital Winch is used to protect a worker ascending or descending a fixed ladder or similar structure. It is recommended that this use of the winch be restricted to structures where other means of climbing protection; such as permanently installed ladder safety systems or personal fall arrest systems are infeasible. For this application, the following conditions must be met:

- Ladder or steps are in good condition and allow for a straight, continuous climb.

- The worker climbing the ladder is wearing a full body harness and the winch line is connected to the dorsal (back) D-ring of the harness.
- The winch operator is trained and competent in the operation of the winch.
- No slack line is allowed to develop when the worker moves up or down the ladder.
- DBI-SALA recommends, for the series winches only, that an energy absorbing lanyard be connected between the harness dorsal D-ring and the winch line.

1.3 LIMITATIONS: The following application limitations must be considered before using this product. Failure to observe product limitations could result in serious injury or death.

A. INSTALLATION: The winch must be installed in accordance with the requirements stated in section 3.4 of this manual.

B. CAPACITY: The maximum working load for this product is one person with a combined maximum weight (including tools, clothes, and equipment) of 450 lbs. (204 kg).

C. PERSONAL FALL ARREST SYSTEMS: Personal fall arrest systems used with the Digital Winch must meet applicable state and federal regulations and the requirements stated in section 3.3.

D. PHYSICAL AND ENVIRONMENTAL HAZARDS: Use of this equipment in areas with physical or environmental hazards may require that additional precautions be taken to reduce the possibility of damage to this equipment or injury to the user. Hazards may include, but are not limited to: high heat (welding or metal cutting), acid or caustic chemicals, corrosive environments such as exposure to seawater, high voltage power lines, explosive or toxic gases, moving machinery or sharp edges. Contact DBI-SALA if you have questions about the application of this equipment in areas where physical or environmental hazards are present.

E. TRAINING: This equipment is to be installed and used by persons who have been trained in its correct application and use.

1.4 Refer to national standards, including; ANSI Z117.1, local, state, and OSHA requirements (26 CFR 1910.146), for more information on the application of this and associated equipment.

2.0 SYSTEM REQUIREMENTS

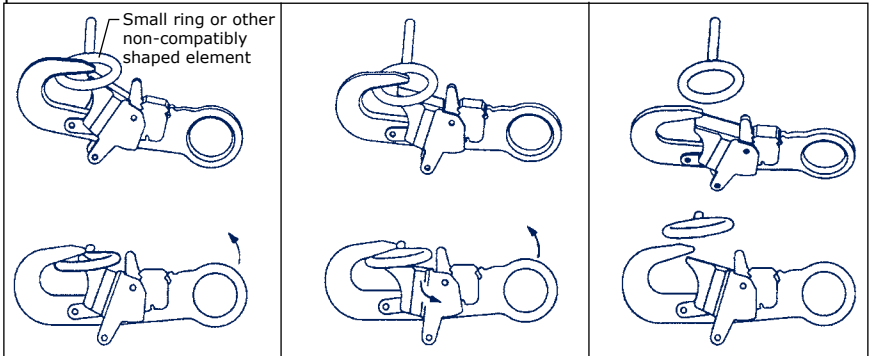
2.1 COMPATIBILITY OF COMPONENTS: DBI-SALA equipment is designed for use with DBI-SALA approved components and subsystems only. Substitutions or replacements made with non-approved components or subsystems may jeopardize compatibility of equipment and may effect the safety and reliability of the complete system.

2.2 COMPATIBILITY OF CONNECTORS: Connectors are considered to be compatible with connecting elements when they have been designed to work together in such a way that their sizes and shapes do not cause their gate mechanisms to inadvertently open regardless of how they become oriented. Contact DBI-SALA if you have any questions about compatibility.

Connectors (hooks, carabiners, and D-rings) must be capable of supporting at least 5,000 lbs. (22.2kN). Connectors must be compatible with the anchorage or other system components. Do not use equipment that is not compatible. Non-compatible connectors may unintentionally disengage (see Figure 2). Connectors must be compatible in size, shape, and strength. Self-locking snap hooks and carabiners are required by ANSI Z359.1 and OSHA.

Figure 2 - Unintentional Disengagement (Roll-out)

If the connecting element that a snap hook (shown) or carabiner attaches to is undersized or irregular in shape, a situation could occur where the connecting element applies a force to the gate of the snap hook or carabiner. This force may cause the gate (of either a self-locking or a non-locking snap hook) to open, allowing the snap hook or carabiner to disengage from the connecting point.



1. Force is applied to the snap hook.

2. The gate presses against the connecting ring.

3. The gate opens allowing the snap hook to slip off.

2.3 MAKING CONNECTIONS: Only use self-locking snap hooks and carabiners with this equipment. Only use connectors that are suitable to each application. Ensure all connections are compatible in size, shape and strength. Do not use equipment that is not compatible. Ensure all connectors are fully closed and locked.

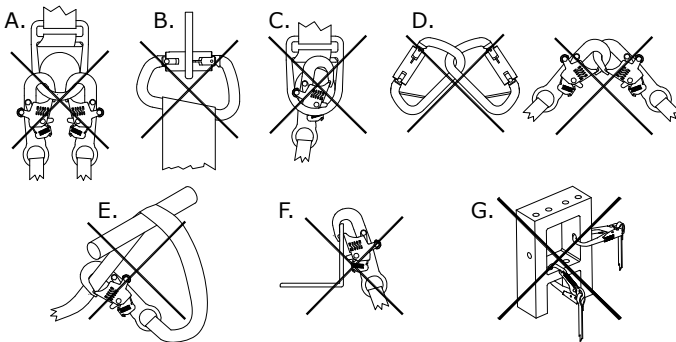
DBI-SALA connectors (snap hooks and carabiners) are designed to be used only as specified in each product's user instructions. See Figure 3 for inappropriate connections. DBI-SALA snap hooks and carabiners should not be connected:

- A. To a D-ring to which another connector is attached.
- B. In a manner that would result in a load on the gate.

NOTE: Large throat opening snap hooks should not be connected to standard size D-rings or similar objects which will result in a load on the gate if the hook or D-ring twists or rotates. Large throat snap hooks are designed for use on fixed structural elements such as rebar or cross members that are not shaped in a way that can capture the gate of the hook.

- C. In a false engagement, where features that protrude from the snap hook or carabiner catch on the anchor, and without visual confirmation seems to be fully engaged to the anchor point.
- D. To each other.
- E. Directly to webbing or rope lanyard or tie-back (unless the manufacturer's instructions for both the lanyard and connector specifically allows such a connection).
- F. To any object which is shaped or dimensioned such that the snap hook or carabiner will not close and lock, or that roll-out could occur.
- G. In a manner that does not allow the connector to align properly while under load.

Figure 3 - Inappropriate Connections



2.4 SUPPORT STRUCTURE STRENGTH: The support structure to which the winch is installed must meet minimum strength requirements stated in section 3.4

3.0 OPERATION AND USE

WARNING: Do not alter or intentionally misuse this equipment. Consult DBI-SALA when using this equipment in combination with components or subsystems other than those described in this manual. Some subsystem and component combinations may interfere with the operation of this equipment. Use caution when using this equipment around moving machinery, electrical hazards, chemical hazards, and sharp edges.

WARNING: Consult your doctor if there is reason to doubt your fitness to safely absorb the shock from a fall arrest. Age and fitness seriously affect a worker's ability to withstand falls. Pregnant women or minors must not use a DBI-SALA winch, unless for unavoidable emergency use situations.

- 3.1 BEFORE EACH USE:** Inspect this equipment carefully to ensure it is in good working condition. Check for worn or damaged parts. Ensure all parts are present and secure. Check operation of the winch; ensure that it will lift, lower, and hold the load under normal operation. Check the winch and entire system for damage and corrosion. See section 5.0 for further inspection details. Do not use if inspection reveals an unsafe condition.
- 3.2 PLANNING:** Plan your system and how it will function before starting your work. Consider all factors that affect your safety during use. Some important points to consider when planning your system are:
- A. HAZARD EVALUATION:** Evaluate job site hazards prior to starting work. Consult applicable OSHA and industry standards for guidelines and regulatory requirements on issues such as confined space entry, personal fall arrest systems (PFAS), and single point adjustable suspended scaffolds.
 - B. WORK SITE GEOMETRY:** The installation and use of the support structure (tripod, davit arm and base) must be consistent with the geometric requirements stated in the associated manufacturer's instruction manuals. When suspending working lines from the support structure, check for obstructions or sharp edges in the work path. Avoid working where the user may swing and hit an object, or where lines may cross or tangle with that of another worker.
 - C. SECONDARY OR BACK-UP FALL ARREST SYSTEM:** When using the Digital Winch as a support for work positioning or for personnel riding, a secondary or back-up fall arrest system is required. See OSHA 29 CFR 1910.28 and 1926.451. The DBI-SALA tripod and davit arm have provisions for connection of a secondary or back-up PFAS. See sections 3.3 and 3.5 (A).
 - D. RESCUE:** A means of dealing with an accident or emergency must be planned in advance. Response time can play an important role in the survival of an injured worker. Users of this equipment must be trained in emergency procedures.

3.3 REQUIREMENTS FOR PERSONAL FALL ARREST SYSTEMS (PFAS):

PFAS used with the Digital Winch and support structure must meet applicable OSHA requirements.

- The PFAS should be rigged to minimize any potential free fall and never allow a free fall greater than 6 ft. (1.8 m). The PFAS used with this equipment are required to include a full body harness as the body support component. PFASs that incorporate full body harnesses must maintain fall arrest forces below 1,800 lbs. (8.0 kN) and arrest the fall within 42 in. (1.1 m). Body belts, unless incorporated into a full body harness, are not recommended for use with this equipment. A typical PFAS includes a full body harness, connecting subsystem or component (self retracting lifeline or lifeline and rope grab), and the necessary connectors to couple the system together.
- Anchorages selected for PFAS must sustain static loads, applied in the directions permitted by the PFAS, of at least; (A) 3,600 lbs. (16.0 kN) when certification exists (see ANSI Z359.1 for certification definition), or (B) 5,000 lbs. (22.2kN) in the absence of certification. When more than one PFAS is attached to an anchorage, the anchorage strengths set forth in (A) and (B) must be multiplied by the number of PFAS attached to the anchorage.

Per OSHA 1926.500 and 1910.66: Anchorages used for attachment of a PFAS shall be independent of any anchorage being used to support or suspend platforms, and must support at least 5,000 lbs. (22.2kN) per user attached, or be designed, and used as part of a complete PFAS which maintains a safety factor of at least two, and is supervised by a qualified person.

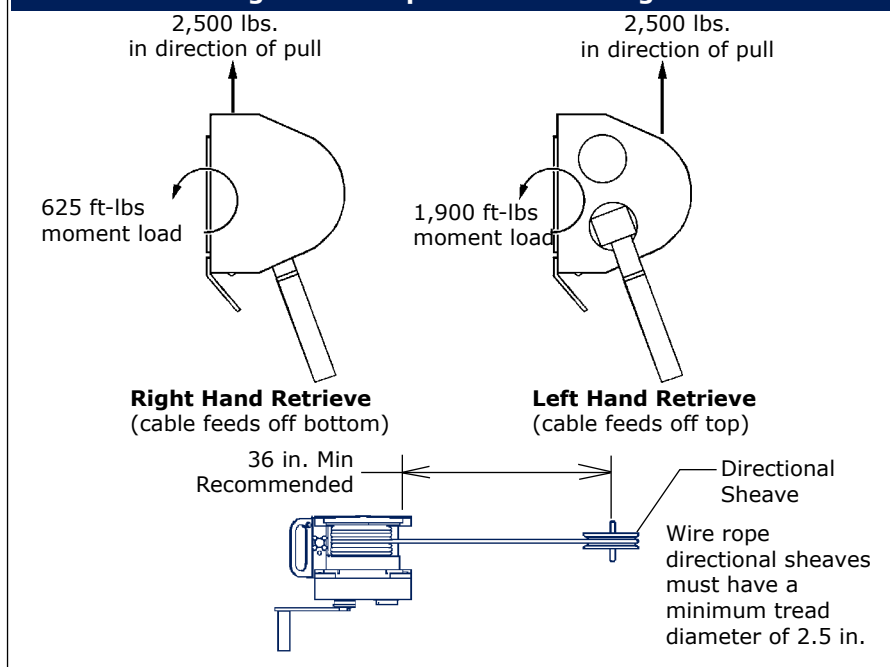
WARNING: Read and follow manufacturer's instructions for the personal fall arrest equipment selected for use with the winch and support structure.

IMPORTANT: Body belts are not allowed for free fall situations. Body belts increase the risk of injury during fall arrest in comparison to a full body harness. Limited suspension time and the potential for improperly wearing a body belt may result in added danger to the user's health.

3.4 INSTALLATION OF WINCH TO DAVIT ARM OR TRIPOD:

- A. LOAD REQUIREMENTS:** Figure 4 illustrates the winch mounted to the support structure and the load requirements. The mounting bracket must support the loads specified.
- B. GEOMETRIC REQUIREMENTS:** Refer to the support structure manufacturer's instructions for geometric requirements. Installations of the winch to support structures other than those

Figure 4 - Required Load Strength



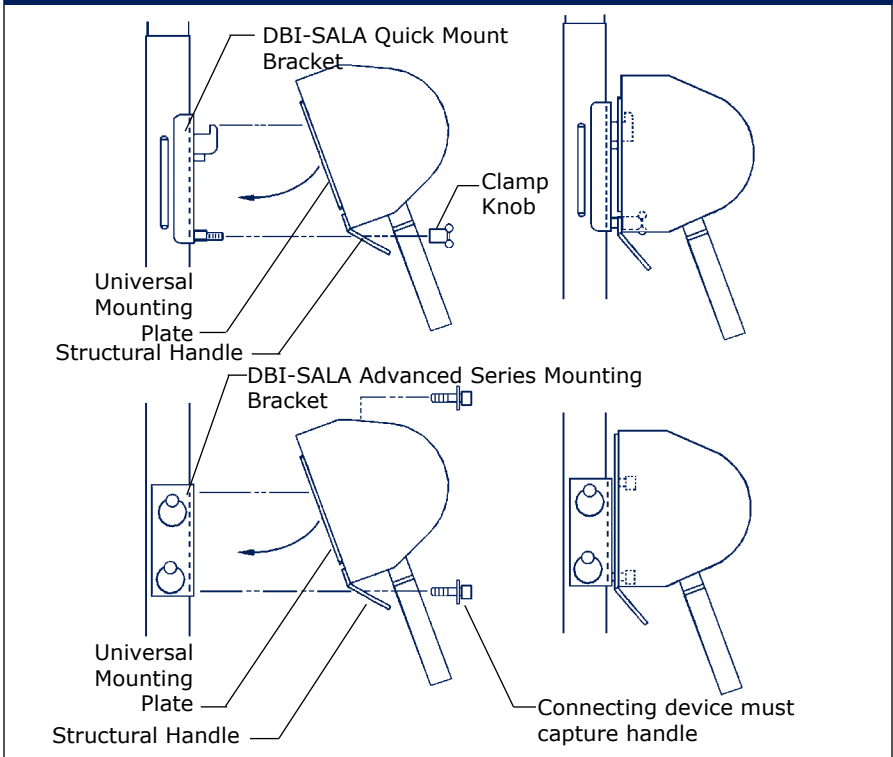
provided by DBI-SALA must meet the geometric requirements shown in Figure 4. Position the support structure so the load and the lifeline of the winch can be directed over the work area when installed. For personnel use, do not position the support structure where the worker will have to swing under the support structure to reach the work area. Avoid positioning the support structure where the working line may abrade against sharp edges.

IMPORTANT: Position the winch and support structure in a location which allows the operator to safely use the winch.

C. MOUNTING PLATE: The Digital Winch is equipped with a universal mounting plate. The universal mounting plate is designed to attach to the quick mount bracket and the advanced series winch mount bracket (see Figure 5) and will accommodate most other support structures which meet the requirements specified in section 3.3. See the support system user manual for mounting information or contact DBI-SALA for optional mounting kits. When attaching the winch to the support, one of the attachment features (i.e., bolt or stud) must capture the structural carrying handle.

D. WELDED INSTALLATIONS: If welding the mounting bracket to a support structure it is recommended that the welding be done by a certified welder. Portions of the mounting bracket that have been exposed due to welding should be painted or otherwise protected from corrosion.

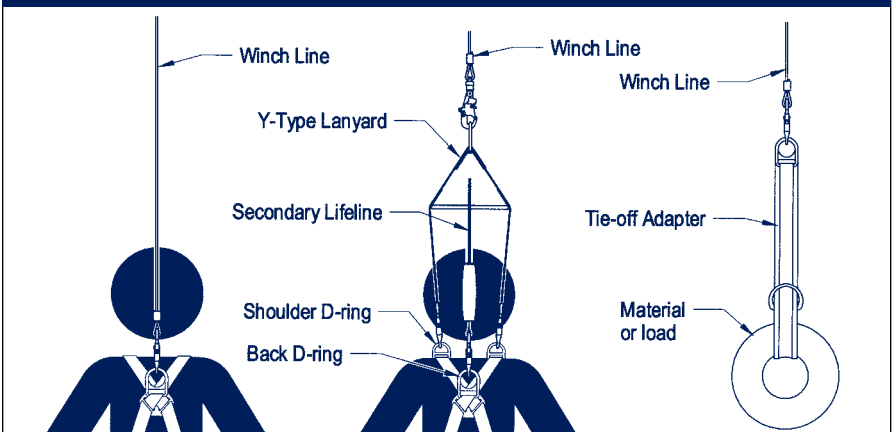
Figure 5 - Mounting Bracket



3.5 OPERATION OF WINCH:

- A. CONNECTING THE WINCH LINE TO A LOAD:** See Figure 6. For applications that do not require a secondary PFAS, the winch line should be connected to the worker's harness back D-ring. For applications requiring a secondary PFAS, the winch line should be connected to a Y-type lanyard and this lanyard

Figure 6 - Connecting to Winch Line



should be attached to the worker's harness shoulder D-rings. The secondary lifeline should be connected to the worker's harness back D-ring. For material handling applications, connect the winch line to the load using a tie-off adapter or other anchoring device.

- B. OPERATING THE DIGITAL WINCH:** Attach the winch to the support structure as described in section 3.4. Install the winch crank handle into the 9:1 or 4:1 drive hub and push firmly inward until the spring loaded tab on the handle snaps in place (the grip on the handle should face outward).

NOTE: The 4:1 drive is used under normal working conditions for raising and lowering workers

To remove the crank handle from the hub, push down on the spring loaded tab and pull the handle out of the hub.

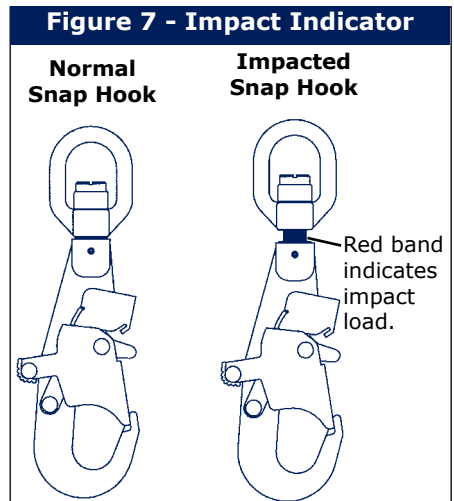
Feed the line off the winch drum by rotating the crank handle in the lowering direction (counterclockwise). Apply about 10 lbs. (4.5 kg) of tension to the line while feeding it off the drum. Route the line over the support structure pulley system. Refer to the support structure user instructions for cable routing.

TO RAISE A LOAD: Rotate the winch crank handle in the raise direction (clockwise). To hold or momentarily suspend the load, stop cranking. The automatic clutch/brake will hold the load if handle is released. Do not exceed the rated capacity of 450 lbs. (204 kg)

TO LOWER A LOAD: Rotate the winch crank handle in the lower direction (counterclockwise). When lowering line without a load, maintain about 10 lbs. (4.5 kg) of tension on the line to aid payout and prevent cable entanglement.

C. IMPACT INDICATOR:

The Digital Winch is supplied with a connecting swiveling hook that incorporates an impact indicator. This indicator functions if the winch is severely impact loaded or if the lifting capacity is exceeded by a preset amount. A hook that has been subjected to an impact load will display a red band in the swivel area (see Figure 7.) See section 5.0 for inspection of impact indicator.



D. WINCH REMOVAL: Disconnect the lifeline from the worker's harness or from the material load. Maintain at least a 10 lb. (4.5 kg) load on the lifeline winding the lifeline onto the drum. Retract the lifeline through the support structure. See the support structure user instructions. Continue to wind the lifeline onto the drum until the copper ferrules and thimble contact the drum. Disconnect the winch from the support structure. Refer to the support structure user instructions for details.

3.6 LOAD ATTACHMENT: Pull on the snap hook while cranking the handle counterclockwise to extend lifeline until there is sufficient line to comfortably attach to the worker or load. Perform the attachment away from the entrance so there is no danger that the worker or load will fall. Use two hands when attaching the lifeline; one hand maintaining tension on the lifeline, the other to depress the lock and open the gate on the snap hook. Insert the hook into the harness D-ring. Release the gate and ensure the snap hook is securely locked onto the D-ring.

3.7 SYSTEM INTEGRITY: Verify the integrity of the attachment and support system as follows:

- A.** Crank the winch handle in the raise direction until the line is snug. The worker should slowly transfer their weight to the harness and lifeline until they are able to lift both feet off the ground.
- B.** Make sure the winch holds the worker in a stationary position. Also adjust the fit of the harness at this time so that it does not pinch, chafe or bind.

IMPORTANT: Do not use winch for lifting or lowering of more than one person, except for emergency situations. The maximum lifting force is 450 lbs. (2.0 Kn)

3.8 LOWERING A WORKER: The attendant should turn the winch handle counterclockwise to pay out the lifeline. The attendant should keep a gloved hand on the lifeline as it extends to keep a slight tension on the lifeline.

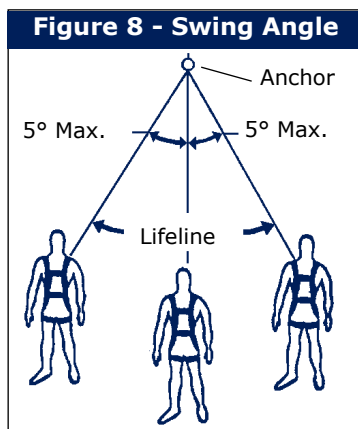
If the line becomes tight or slack during use, communicate with the suspended worker to determine whether there is a problem. Correct any problems before proceeding.

WARNING: If the cranking tension eases during lowering, the person or material being lowered has reached a work level or obstruction. Do not continue cranking without communicating with the person or checking the material being lowered. Always keep the cable tension firm. Slack cable could cause a free fall.

While a worker is suspended maintain the swing angle at less than 5°. The worker can be seriously injured in a swing fall at more than 5° (see Figure 8).

If the worker is not suspended and there is no chance of a fall. The attendant may pay out sufficient line [2 ft. max. (.6 m)] so the worker can work comfortably. The attendant should hold the line so there is always a slight tension on it.

Maintain constant communication between the worker and the attendant.



WARNING: The last 10 ft (3 m) of the lifeline has a red marker and should not be unwound from the drum. This length provides the required wrap on the drum to properly anchor the lifeline and insures that the lifeline wrap direction is correct. Stop extending the lifeline when you see the red marker. The lifeline must wind onto the drum by turning the crank handle in the "raise" (counterclockwise) direction only. Check periodically to see that the lifeline is winding evenly on the drum. Use gloves when handling the lifeline.

3.9 RETRIEVING A WORKER: Communicate with the worker when preparing to retrieve them and maintain communication throughout the procedure. Place the crank handle in the 4:1 or 9:1 drive hub as appropriate to keep the turning force in a comfortable range. Retract the lifeline and retrieve the worker. Maintain an even retrieval rate.

If the winch handle turning load suddenly increases, stop and investigate. Determine the cause and correct the problem before continuing.

Upon retrieval, support the load or worker and disconnect the lifeline.

3.10 INERTIAL BRAKE: The Digital Winch is designed with a constantly engaged brake that will hold a suspended load whenever the crank handle is released. The brake is composed of three independent pawls. All three pawls would have to become inoperable for the primary brake to fail. The winch has a secondary inertia brake in case the primary brake should fail. If the primary brake failed, the winch would free-wheel until the inertia brake engaged and stopped the cable. No more than 3 ft. (1 m) of cable deploys before the inertia brake engages.

If the inertia brake engages, the operator can still extend or retract the lifeline from its stopped position by turning the crank arm. However, if the crank arm is released, the winch would free-wheel until the inertial brake engages again. Use the crank arm to retrieve the entrant or load without releasing the handle. After the entrant is removed from the confined space, release the lifeline and promptly remove the winch from service and return it to DBI-SALA or an approved repair facility for repair.

3.11 LEFT HAND RETRIEVE: The Digital Winch can be adjusted to work as a left hand retrieve. To make this adjustment, remove the cable retention spring and attach it to the hole on the other end of the mounting plate using the same hardware. Remove the carrying handle by removing the two screws attaching it to the winch and replace it on the other end of the winch. Use a removable thread lock such as Loctite 242 to secure all fasteners. The winch will now mount on mounting brackets with the handle on the left side of the winch.

IMPORTANT: *The cable will feed off the top of the drum in this configuration, changing the moment load requirements as specified in Figure 4.*

4.0 TRAINING

4.1 It is the responsibility of the user to assure they are familiar with these instructions, and are trained in the correct care and use of this equipment. User must also be aware of the operating characteristics, application limits, and the consequences of improper use of this equipment.

IMPORTANT: *Training must be conducted without exposing the trainee to a fall hazard. Training should be repeated on a periodic basis.*

5.0 INSPECTION

5.1 FREQUENCY:

- **Before Each Use:** Visually inspect per steps listed in sections 5.2 and 5.3.
- **Annually:** A formal inspection of the winch should be done by a competent person other than the user. See sections 5.2 and 5.3 for guidelines. Record results in the inspection and maintenance log in section 9.0.
- **Every 10,000 cycles or 5 years (whichever comes first):** It is recommended that the winch be serviced by a factory authorized service center or the manufacturer. Extreme working conditions may require increasing the frequency of inspections. Annual servicing shall include, but not be limited to, an intensive inspection and cleaning of all internal and

external components. Failure to provide proper service may shorten product life and could endanger performance.

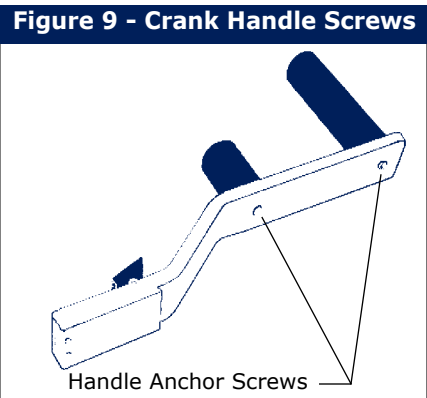
- **After An Impact:** Inspect entire winch according to section 5.2.

WARNING: *If the winch has been subjected to impact forces, it must be immediately removed from service and inspected. If the winch fails to pass the inspection, do not use. The equipment must be sent to an authorized service center for repair.*

IMPORTANT: *Extreme working conditions (harsh environment, prolonged use, etc.) may require increasing the frequency of inspections.*

5.2 GENERAL INSPECTION:

- Inspect all screws, bolts and nuts. Ensure they are securely attached and tight. Check to see if any bolts, nuts or other parts are missing, or have been substituted or altered in any way. Inspect covers and housings. Ensure they are free of cracks, dents, corrosion or other damage.
- Permanent crank arm (if present) must be free of cracks, dents, corrosion and excessive wear. The handle must not be bent or distorted and must rotate freely. The locking pin must lock and hold the handle perpendicular to the arm.
- Removable crank arm (if present) must lock positively into each of the drive hubs and be free of cracks, bends, or other damage. Check that each handle on the crank arm is tight (see Figure 9). Use Loctite262 or equivalent thread lock on the anchor screws if required to keep them tight. Do not use unless the crank arm is fully functional.
- Connecting hook must not be damaged, broken, distorted, or have any sharp edges, burrs, cracks, worn parts, or corrosion. Ensure the connecting hook works properly. Hook gate must move freely and lock upon closing. Hook must swivel freely.
- Inspect the brake wear indicator (see Figure 10). This is located in the center of the 4:1 drive hub. If the indicator is in the red section, remove the winch from service and return to DBI-SALA or an approved repair center for repair.
- Inspect all identification and warning labels, ensuring that they are legible and securely attached (see section 8.0).



- Check the digital counter, (see Figure 11) if it exceeds 10,000 cycles from the last factory service recorded in the inspection log in Section 9, return the winch to DBI-SALA or an authorized repair center for service.
- Check operation of the winch in high and low speed positions; it must crank up and down freely. Stiff or rough operation may indicate a worn gear or bearing.
- Inspect the Cable Retaining Spring (see Figure 1) assuring that it applies pressure against the line. If the plastic wear pad needs to be replaced, return the winch to an authorized service center.
- Inspect each system component (support structure, back-up fall arrest system, body support, connectors, etc.) according to manufacturer's instructions.

Figure 10 - Brake Wear Indicator

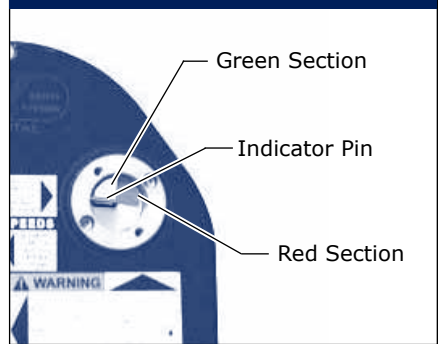
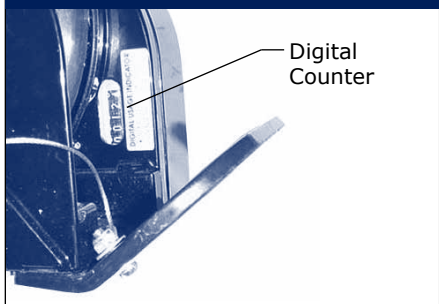


Figure 11 - Digital Counter

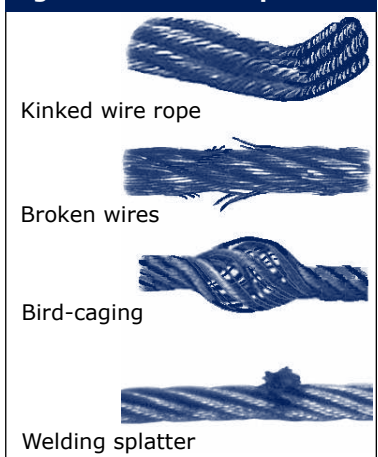


5.3 LIFELINE INSPECTION

WIRE ROPE: Inspect entire length of wire rope assembly starting at the hook. Always wear protective gloves when inspecting wire rope.

- A.** Inspect for broken wires by passing the wire rope through gloved hands, flexing it every few inches to expose breaks. Broken wires can be removed by bending the wire back and forth parallel to the rope length. Do not attempt to pull wires out of rope. Inspect for kinks, cuts, crushed burned areas, or other damage (see Figure 12). Wire rope with serious damage must be removed from service.

Figure 12 - Wire Rope Flaws



- B. The wire rope assembly must be replaced by an authorized service center if there are six (6) or more randomly distributed broken wires in one lay, or three (3) or more broken wires in one strand in one lay. Note: A "lay" of wire rope is the length of wire rope that it takes for a strand (the larger groups of wires) to complete one revolution or twist along the rope.
- C. The wire rope assembly must be replaced by an authorized service center if there are any broken wires within one inch of the metal compression sleeves at either end of the assembly.
- D. Inspect entire length of wire rope for signs of corrosion. Severely corroded wire rope must be replaced.

SYNTHETIC ROPE: Inspect for the following if the winch uses synthetic rope:

- A. Inspect for concentrated wear, frayed strands, broken yarns, cuts, and abrasions. The line must be free of knots, excessive soiling, heavy paint buildup, and rust staining throughout its length.
- B. The line must be free of chemical or heat damage, indicated by brown, discolored, or brittle areas.
- C. The line must be free of ultraviolet damage, indicated by discoloration and the presence of splinters and slivers on the rope surface.
- D. All of the above factors are known to reduce rope strength. As a rule of thumb, rope strength is reduced proportional to the cross sectional area of the rope damaged. Damaged or questionable rope must be replaced by an authorized service center.

- 5.4** If inspection or operation reveals a defective condition, remove the winch from service immediately and contact an authorized service center for repair.

NOTE: Only DBI-SALA or parties authorized in writing may make repairs to this equipment.

6.0 MAINTENANCE, SERVICING, STORAGE

- 6.1** Periodically clean the exterior of the winch using water and a mild detergent solution. Clean labels as required. At least twice a year, clean and lubricate the wire rope. Do not use solvents to clean the wire rope as they will remove internal lubrication. Lubricate wire rope using a cloth (wearing gloves) and a light machine oil.

- 6.2** Lubrication of brake pads is no longer required or allowed.
- 6.3** Replacement parts, as well as additional maintenance and servicing procedures, must be completed by a factory authorized service center. An authorization and a return number must be issued by DBI-SALA.
- 6.4** Store this equipment in a cool, dry, clean environment out of direct sunlight. Avoid areas where chemical vapors exist. Inspect after any period of extended storage.
- 6.5** Clean and store body support, support structure, and associated system components according to separate instructions provided with that equipment.

7.0 SPECIFICATIONS

7.1 MATERIALS:

Housing: Cast Aluminum with powder coat paint finish.

Lifeline:

- 3/16 in. (5 mm) Stainless Steel
- 1/4 in. (6 mm) Stainless Steel
- 3/8 in. (10 mm) Stainless Steel
- 5/8 in. (16 mm) Stainless Steel

- 3/16 in. (5 mm) Non-rotating Stainless Steel

- 3/16 in. (5 mm) Galvanized Steel

- 3/16 in. (5 mm) Technora Cord
- 1/4 in. (6 mm) Technora Rope

- 5/16 in. (8 mm) Kernmantle Rope
- 3/8 in. (10 mm) Kernmantle Rope
- 1/2 in. (12 mm) Kernmantle Rope
- 5/8 in. (16 mm) Kernmantle Rope

7.2 WEIGHT

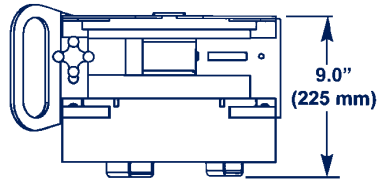
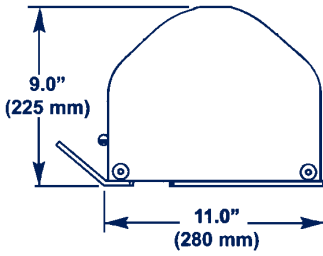
100 Series Advanced Digital Winch: 26.5 lbs (12 kg) plus lifeline.
200 Series Advanced Digital Winch: 27 lbs (12.2 kg) plus lifeline.
300 Series Advanced Digital Winch: 27.5 lbs (12.4 kg) plus lifeline.

7.3 LOADS:

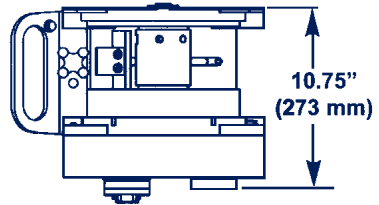
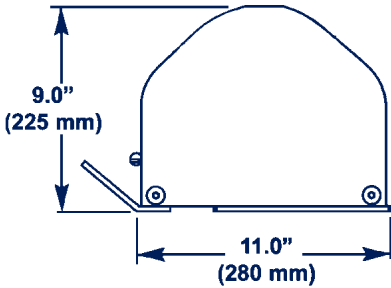
Maximum Working Load: 450 lbs (204 kg)
Winch Mechanism Proof Load 5000 lbs (22.2 kN)

7.4 DIMENSIONS:

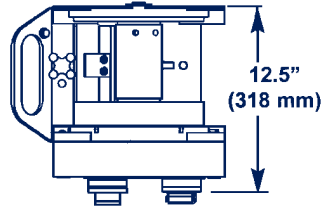
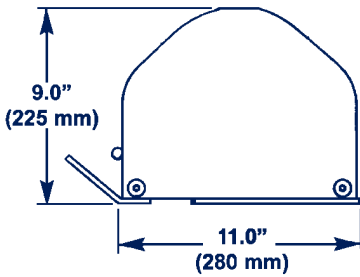
A. 100 SERIES:



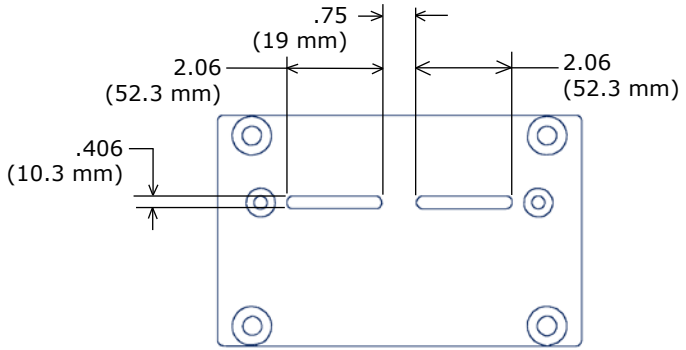
B. 200 SERIES:



C. 300 SERIES:

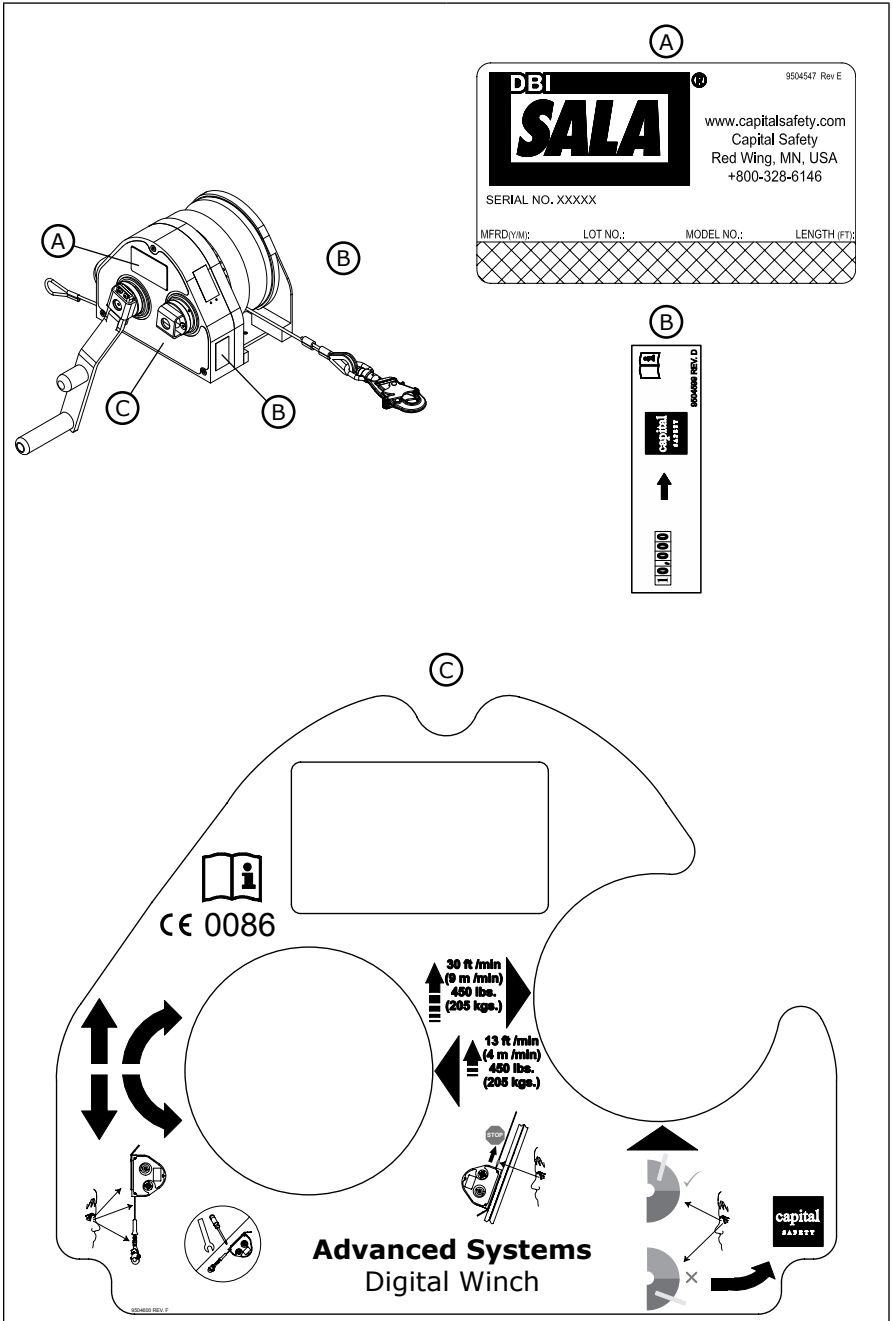


D. UNIVERSAL MOUNTING PLATE:



8.0 LABELING

8.1 The following labels must be present and fully legible. For ordering purposes, the part number is listed near the lower right hand corner of each label.



9.0 INSPECTION AND MAINTENANCE LOG

SERIAL NUMBER: _____

MODEL NUMBER: _____

DATE PURCHASED: _____ **DATE FIRST USED:** _____

INSPECTION DATE	INSPECTION ITEMS NOTED	CORRECTIVE ACTION	MAINTENANCE PERFORMED
Approved By: _____			
Approved By: _____			
Approved By: _____			
Approved By: _____			
Approved By: _____			
Approved By: _____			
Approved By: _____			
Approved By: _____			
Approved By: _____			
Approved By: _____			
Approved By: _____			
Approved By: _____			
Approved By: _____			
Approved By: _____			

This instruction applies to the following models:

8513448	8518562	8518582	8518605	8518628	8530178
8514602	8518563	8518583	8518606	8518630	8530207
8518016	8518564	8518584	8518607	8518646	8530346
8518017	8518565	8518585	8518608	8518651	8530407
8518018	8518566	8518586	8518609	8518656	8530462
8518021	8518567	8518587	8518610	8518658	8530463
8518551	8518568	8518588	8518611	8518706	8530503
8518552	8518569	8518589	8518612	8524868	8541416
8518553	8518570	8518590	8518613	8526404	8541547
8518554	8518571	8518591	8518614	8526534	8543261
8518557	8518572	8518592	8518615	8530010	8543340
8518558	8518573	8518601	8518616	8530011	8544440
8518559	8518579	8518602	8518617	8530012	8545614
8518560	8518580	8518603	8518623	8530058	
8518561	8518581	8518604	8518627	8530116	

Additional model numbers may appear on the next printing of these instructions.

LIMITED LIFETIME WARRANTY

Warranty to End User: D B Industries, LLC dba CAPITAL SAFETY USA ("CAPITAL SAFETY") warrants to the original end user ("End User") that its products are free from defects in materials and workmanship under normal use and service. This warranty extends for the lifetime of the product from the date the product is purchased by the End User, in new and unused condition, from a CAPITAL SAFETY authorized distributor. CAPITAL SAFETY'S entire liability to End User and End User's exclusive remedy under this warranty is limited to the repair or replacement in kind of any defective product within its lifetime (as CAPITAL SAFETY in its sole discretion determines and deems appropriate). No oral or written information or advice given by CAPITAL SAFETY, its distributors, directors, officers, agents or employees shall create any different or additional warranties or in any way increase the scope of this warranty. CAPITAL SAFETY will not accept liability for defects that are the result of product abuse, misuse, alteration or modification, or for defects that are due to a failure to install, maintain, or use the product in accordance with the manufacturer's instructions.

CAPITAL SAFETY'S WARRANTY APPLIES ONLY TO THE END USER. THIS WARRANTY IS THE ONLY WARRANTY APPLICABLE TO OUR PRODUCTS AND IS IN LIEU OF ALL OTHER WARRANTIES AND LIABILITIES, EXPRESSED OR IMPLIED. CAPITAL SAFETY EXPRESSLY EXCLUDES AND DISCLAIMS ANY IMPLIED WARRANTIES OF MERCHANTABILITY OR FITNESS FOR A PARTICULAR PURPOSE, AND SHALL NOT BE LIABLE FOR INCIDENTAL, PUNITIVE OR CONSEQUENTIAL DAMAGES OF ANY NATURE, INCLUDING WITHOUT LIMITATION, LOST PROFITS, REVENUES, OR PRODUCTIVITY, OR FOR BODILY INJURY OR DEATH OR LOSS OR DAMAGE TO PROPERTY, UNDER ANY THEORY OF LIABILITY, INCLUDING WITHOUT LIMITATION, CONTRACT, WARRANTY, STRICT LIABILITY, TORT (INCLUDING NEGLIGENCE) OR OTHER LEGAL OR EQUITABLE THEORY.

capital
S A F E T Y

Global Leader in Fall Protection

USA

3833 SALA Way
Red Wing, MN 55066-5005
Toll Free: 800.328.6146
Phone: 651.388.8282
Fax: 651.388.5065
solutions@capitalsafety.com

Brazil

Rua Anne Frank, 2621
Boqueirão Curitiba PR
81650-020
Brazil
Phone: 0800-942-2300
brasil@capitalsafety.com

Mexico

Calle Norte 35, 895-E
Col. Industrial Vallejo
C.P. 02300 Azcapotzalco
Mexico D.F.
Phone: (55) 57194820
mexico@capitalsafety.com

Colombia

Compañía Latinoamericana de Seguridad S.A.S.
Carrera 106 #15-25 Interior 105 Manzana 15
Zona Franca - Bogotá, Colombia
Phone: 57 1 6014777
servicioalcliente@capitalsafety.com

Canada

260 Export Boulevard
Mississauga, ON L5S 1Y9
Phone: 905.795.9333
Toll-Free: 800.387.7484
Fax: 888.387.7484
info.ca@capitalsafety.com

EMEA (Europe, Middle East, Africa)

EMEA Headquarters:
5a Merse Road
North Moons Moat
Redditch, Worcestershire
B98 9HL UK
Phone: + 44 (0)1527 548 000
Fax: + 44 (0)1527 591 000
csgne@capitalsafety.com

France:

Le Broc Center
Z.I. 1re Avenue - BP15
06511 Carros Le Broc Cedex
France
Phone: + 33 04 97 10 00 10
Fax: + 33 04 93 08 79 70
information@capitalsafety.com

Australia & New Zealand

95 Derby Street
Silverwater
Sydney NSW 2128
Australia
Phone: +(61) 2 8753 7600
Toll-Free : 1800 245 002 (AUS)
Toll-Free : 0800 212 505 (NZ)
Fax: +(61) 2 8753 7603
sales@capitalsafety.com.au

Asia

Singapore:
69, Ubi Road 1, #05-20
Oxley Bizhub
Singapore 408731
Phone: +65 - 65587758
Fax: +65 - 65587058
inquiry@capitalsafety.com

Shanghai:

Rm 1406, China Venturetech Plaza
819 Nan Jing Xi Rd,
Shanghai 200041, P R China
Phone: +86 21 62539050
Fax: +86 21 62539060
inquiry@capitalsafety.cn

www.capitalsafety.com

