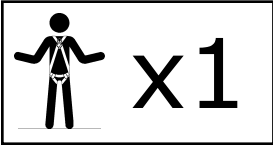




USER INSTRUCTIONS 1

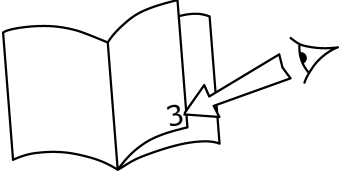


LAD-SAF®

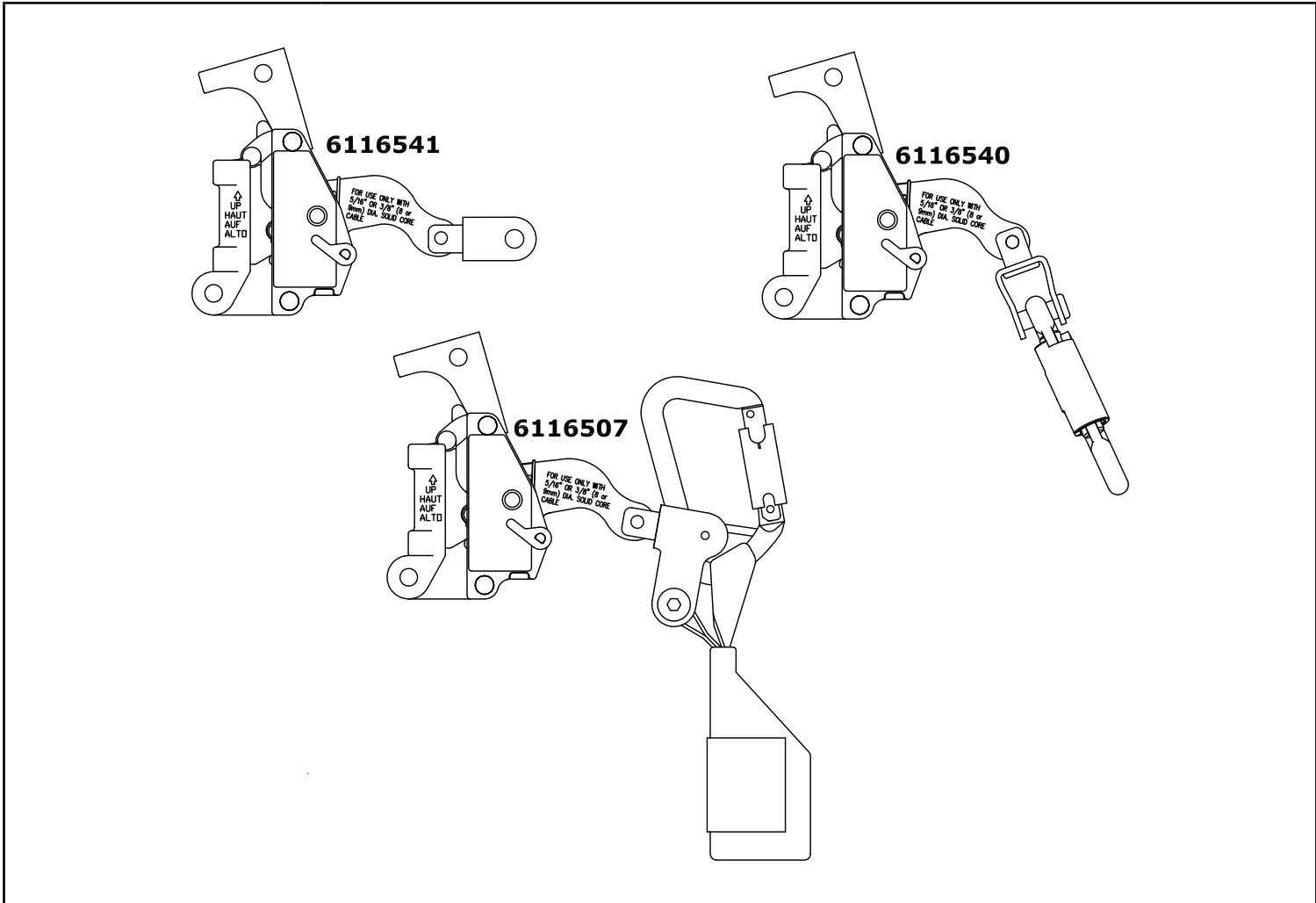
Detachable Cable Sleeve

2 Model Number: 6116507, 6116540, 6116541

CE TYPE TEST	No. 0320 TUV NEL East Kilbride, Glasgow G75 0QU UK 10
CE PRODUCTION QUALITY CONTROL	No. 0086 BSI Product Services Kitemark House Mayland Ave. Hemel Hempstead HP2 4SQ UK 11



4	
 Certificate No. FM 39709	ANSI Z359 ANSI A14.3
	EN 353-1:2002
	CSA Z259.2.1



ANSI, CSA	CE	DESCRIPTION
6116541 (ANSI A14.3, CSA Z259.2.1)		Flex Sleeve, 8.0 mm or 9.5 mm (5/16" or 3/8"), Sleeve Only
6116540 (ANSI A14.3, CSA Z259.2.1)		Flex Sleeve, 8.0 mm or 9.5 mm (5/16" or 3/8"), w/Carabiner
6116507 (CSA Z259.2.1)	6116507 (EN353-1:2002)	Flex Sleeve, 8.0 mm or 9.5 mm (5/16" or 3/8"), w/Shock Pack & Carabiner

FORWARD

This instruction describes installation and use of Lad-Saf® Flexible Detachable Cable Sleeve. It should be used as part of an employee training program as required by OSHA, ANSI, CSA, CE, and AS/NZS.

WARNING: *These instructions must be provided to all users and rescuers¹. The user and installer of this equipment must read and understand these instructions before use of this equipment. Follow the manufacturer's instructions for safety equipment used with this system. Follow these instructions for proper use, inspection, and maintenance of this equipment. This equipment is intended to be used as part of a complete LAD-SAF® ladder safety system. Alterations, substitutions, or misuse of this equipment, or failure to follow instructions, may result in serious injury or death*

IMPORTANT: *If you have questions on the installation, use, maintenance, or suitability of this equipment for your application, contact DBI-SALA.*

IMPORTANT: *Before using this equipment, record the product identification information from the installation and service label in the Inspection & Maintenance Log in Section 9 of this manual.*



GLOSSARY REFERENCE BOXES

Numbered *Glossary Reference Boxes* on the front cover of this instruction reference the following items:

1: User Instructions **2**: Lad-Saf Detachable Cable Sleeve **3**: Model Number(s) **4**: Standards
5: Top Bracket **6**: Cable **7**: Cable Guide **8**: System Label with i-Safe™ RFID Tag **9**: Bottom Bracket **10**: EC Test Performed **11**: Number of body checking the manufacture of this PPE

¹ RESCUER: Person or persons other than the rescue subject acting to perform an assisted rescue by operation or a rescue system.

1.0 APPLICATIONS

1.1 PURPOSE: The LAD-SAF Detachable Cable Sleeve (Figure 1) arrests the fall of personnel while climbing a fixed ladder. The Detachable Cable Sleeve is not intended to be used for material handling.

NOTE: The installer and user must ensure the ladder meets all applicable local, state, and federal standards, including ANSI A14.3.

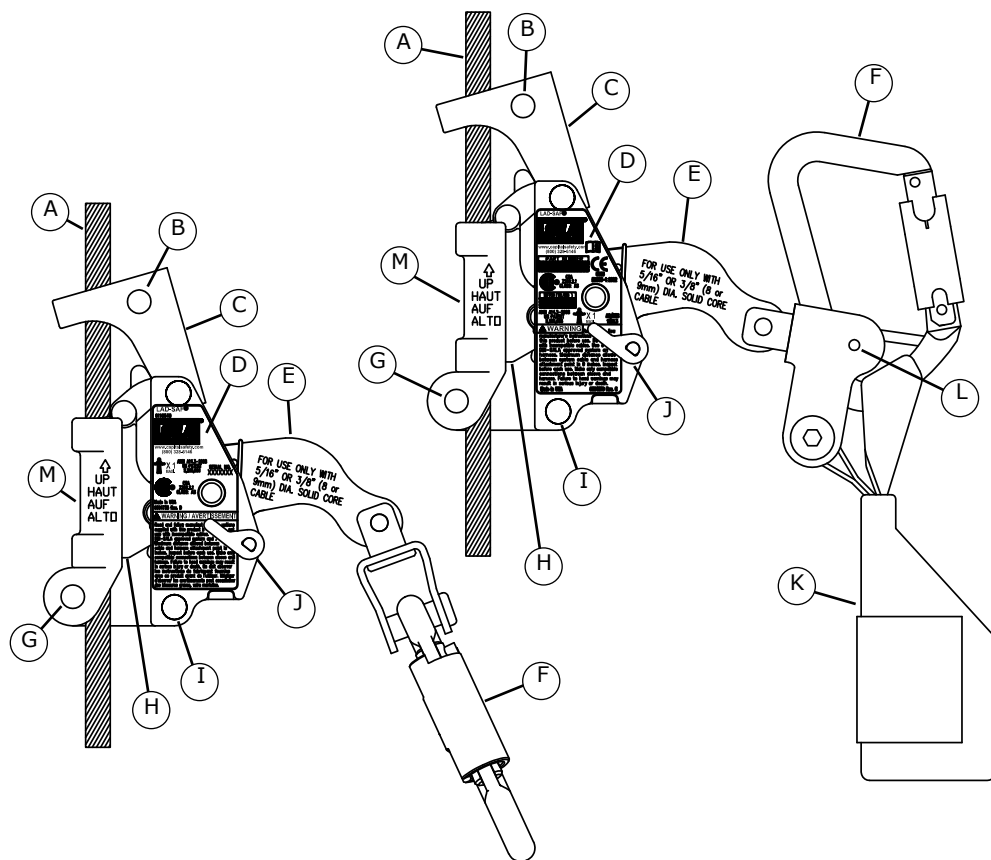
1.2 LIMITATIONS: The LAD-SAF Detachable Cable Sleeves must be used with a DBI-SALA approved ladder safety system. Use only 5/16 inch (8 mm) or 3/8 inch (9.5 mm) diameter solid core cable with the Detachable Cable Sleeve.

The Detachable Cable Sleeve must be directly connected to an approved full body harness or body belt with the attached Carabiner (Figure 1, Item F). Do not use connection devices other than the carabiner that is part of the Detachable Cable Sleeve

NOTE: ANSI A14.3 and OSHA 1926.1053 states that the length of connection between the carrier and attachment point must not exceed 9 inches (23 cm).

Figure 1 - Components

A	Cable
B	Upper Roller
C	Upper Roller Extension
D	Label
E	Handle
F	Carabiner
G	Lower Roller
H	Cable Shoe
I	Gravity Stop
J	Locking Lever
K	Energy Absorber
L	Impact Indicator Pin
M	Sleeve Body



2.0 SYSTEM REQUIREMENTS

2.1 COMPATIBILITY OF COMPONENTS AND SUBSYSTEMS: This equipment is designed for use with DBI-SALA approved components and subsystems. The use of non-approved components and subsystems may jeopardize compatibility of equipment and could affect the safety and reliability of the complete system. Contact DBI-SALA if you have questions about compatibility of equipment.

3.0 OPERATION AND USE

3.1 CONNECTING THE DETACHABLE CABLE SLEEVE TO THE CARRIER CABLE: See Figure 1 for identification of components referenced in the following steps:

WARNING: *In situations where a fall hazard exists, use a back-up fall arrest system, such as a lanyard, to protect against a fall.*

Step 1. Ensure the sleeve is correctly positioned relative to the carrier cable (Figure 2). The “up” arrow on the sleeve must be pointing to the ascending direction. The detachable safety sleeve includes a gravity stop (1I) to reduce the possibility of installing the sleeve upside-down.

Step 2. Rotate the locking lever (1J) and pivot handle (1E) to its full upright position (Figure 2). This will draw back the cable shoe (1H) to allow insertion of the carrier cable (1A) into the sleeve housing (1M). The locking lever is on both sides of the Detachable Cable Sleeve for right or left hand operation.

Step 3. Hold the sleeve upright and place the upper roller (1B) onto the cable. See Figure 3.

Step 4. Push back the upper roller extension (1C) and insert the cable through the slot on the side of the sleeve. Position the cable in the sleeve recess. Release the handle (1E) to lock the sleeve on the cable (see Figure 4). Ensure the locking lever (1J) is in the locked position before use. Figure 1 shows the locking lever in the locked position.

3.2 CONNECTING THE DETACHABLE CABLE SLEEVE TO THE HARNESS OR BODY BELT: Connect the carabiner on the sleeve to the full body harness attachment point designated for ladder climbing. Always use the carabiner supplied on the sleeve. Do not substitute with other connectors. Do not use other connecting devices such as a short lanyard, chain, link, or clevis. Connection between the sleeve and full body harness or body belt may be done before or after the sleeve has been installed onto the carrier cable. When connecting, ensure the carabiner gate is fully closed and locked.

ASCENDING: To ascend the ladder climb up normally. The Detachable Cable Sleeve will follow the climber. The cable is snapped out of the cable guides as they are encountered. Reconnect cable into cable guides after passing each cable guide. Do not remove the climbing sleeve from the cable to pass the cable guides.

DESCENDING: To descend the ladder, climb down smoothly in a normal position. Allow the sleeve to “lead” the climber down. Climbing down out of position (leaning back excessively) will cause the sleeve to lock on the cable. If the sleeve locks, move upward slightly to release the sleeve and continue to descend the ladder.

When climbing is completed remove the sleeve from the cable by rotating the locking lever and pivoting handle to its full upright position. The sleeve can now be removed from cable and properly stored.

Figure 2



Figure 3

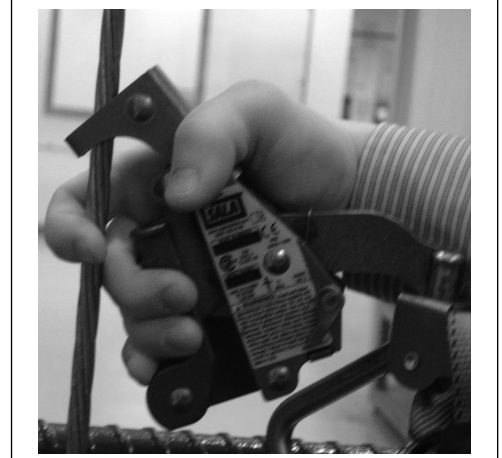


Figure 4



Ensure all hazards are addressed to provide climber safety. Hazardous environments or conditions include, but are not limited to; power lines, heat or flame, explosive gases, physical obstructions, and climbers ability and health. If a fall occurs the employer must have a rescue plan and the ability to implement it. After a fall the Detachable Cable Sleeve must be inspected by a competent person other than the user. See section 5.0 of this manual for inspection steps.

4.0 TRAINING

4.1 TRAINING: It is the responsibility of the user and purchaser of this equipment to assure they are familiar with these instructions, operating characteristics, application limits, and the consequences of improper use of this equipment. Users and purchasers of this equipment must be trained in the correct care and use of this equipment.

IMPORTANT: *Training must be conducted without exposing the user to a fall hazard. Training should be repeated on a periodic basis.*

Step 1. Don a full body harness or body belt and attach to Detachable Cable Sleeve.

Step 2. Ascend the ladder to approximately three feet. With both hands and feet on the climbing structure flex knees in a quick sitting motion to simulate a fall. This will activate the sleeve.

Step 3. Repeat Step 2. After the sleeve locks, move upward to unlock the sleeve.

Step 4. Descend the ladder and detach from the sleeve.

5.0 INSPECTION

5.1 FREQUENCY:

- **Before Each Use** inspect the Detachable Cable Sleeve according to sections 5.2 and 5.3.
- **Formal Inspection:** A formal inspection of the Detachable Cable Sleeve must be performed at least annually by a competent person other than the user. The frequency of formal inspections should be based on conditions of use or exposure. See sections 5.2 and 5.3. Record the inspection results in the inspection and maintenance log in Section 9.
- **After a Fall** a formal inspection of the Detachable Cable Sleeve must be performed by a competent person other than the user. Record the inspection results in the inspection and maintenance log in Section 9.

5.2 INSPECTION GUIDELINES: See Figure 1 for identification of the components described in the following guidelines:

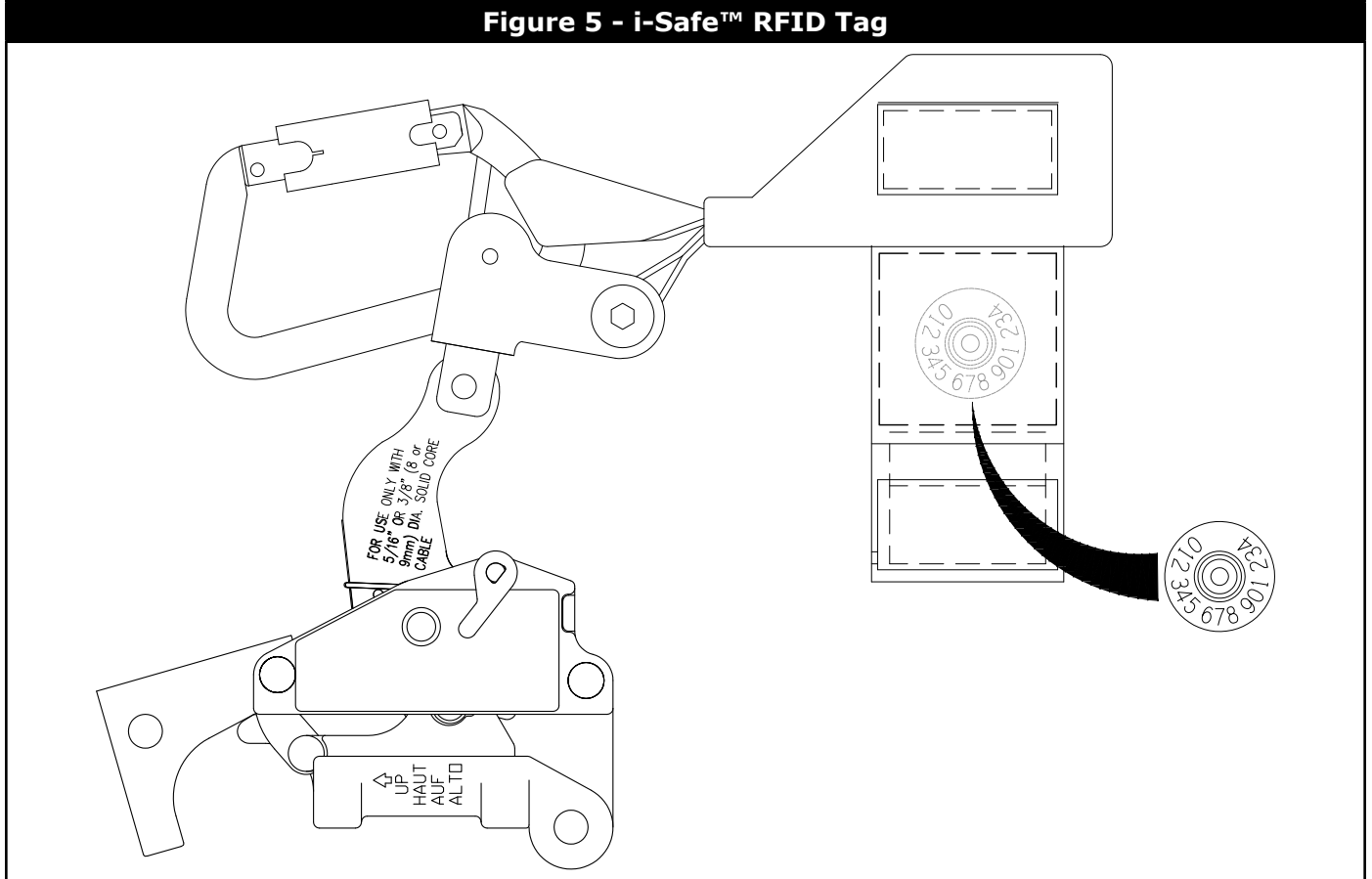
1. Inspect the handle (1E) and cable shoe (1H) for bends, cracks, and deformities. All fasteners must be securely attached. Operation of handle and cable shoe must be free and smooth. Springs must be secure and of sufficient strength to pull handle down.
2. Inspect the locking lever (1J) for smooth operation, ensuring it springs back into its locked position when released.
3. Inspect the sleeve body (1M) for wear on the inside where the cable passes through.
4. Inspect the impact indicator pin (1L). If the indicator pin is missing or damaged, the sleeve should not be used until the pin is replaced.
5. Inspect the energy absorber(1K) to determine it has not been activated. The energy absorber cover should be secure and free of tears or damage.

5.3 If inspection reveals an unsafe or defective condition remove the Detachable Cable Sleeve from service and destroy or contact an authorized service center for repair. Record the results in the Inspection and Maintenance Log in Section 9 of this manual or use the i-Safe™ inspection web portal to maintain your inspection records (see Section 6).

6.0 I-SAFE™ RFID

6.1 I-SAFE™ RFID TAG: The Detachable Cable Sleeve has an i-Safe™ Radio Frequency Identification (RFID) tag in the inside pocket on the energy absorber flap (see Figure 5). The i-Safe™ RFID tag can be used in conjunction with the i-Safe handheld reading device and web based portal to simplify inspection and inventory control and provide records for your fall protection equipment. If you are a first-time user, contact a Capital Safety Customer Service representative (see back cover); or if you have already registered, go to www.capitalsafety.com/isafe.html. Follow the instructions provided with your i-Safe handheld reader or on the web portal to transfer your data to your web log.

Figure 5 - i-Safe™ RFID Tag



7.0 MAINTENANCE, SERVICING, STORAGE

The LAD-SAF sleeve may be cleaned using commercial parts cleaning solvents and rinsed with warm, soapy water. Light machine oil may be applied to moving parts if required. Do not use excessive oil, or allow oil to contact cable clamping surfaces.

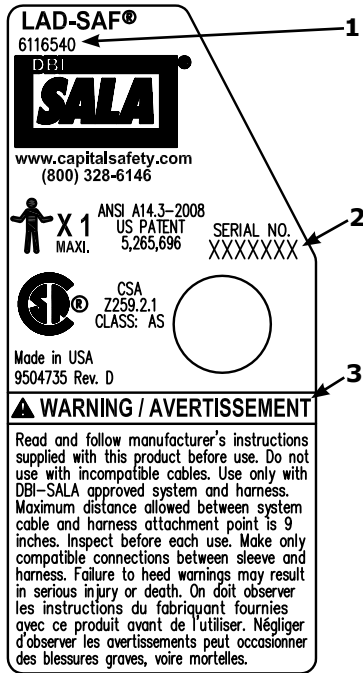
Clean the energy absorber with water and a mild detergent solution. Wipe off the hardware with a clean, dry cloth and hang to air dry. Do not force dry with heat. An excessive build-up of dirt, paint, etc. may prevent the energy absorber from working properly, and in severe cases, weaken the webbing.

Additional maintenance and servicing procedures must be completed by an authorized service center. Authorization must be in writing.

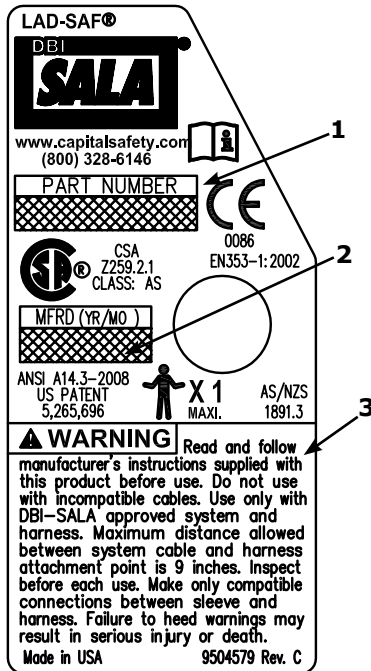
Store the Detachable Cable Sleeve in a cool, dry, clean environment, out of direct sunlight. Avoid areas where chemicals vapors exist. Thoroughly inspect the sleeve after extended storage.

8.0 LABELING

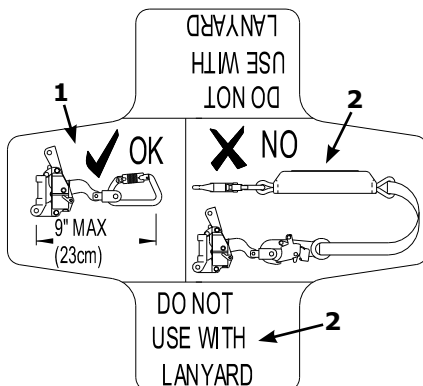
8.1 Labels must be securely attached and fully legible:



1. Part Number
2. Serial Number
3. **WARNING:** Read and follow manufacturer's instructions supplied with this product before use. Do not use with incompatible cables. Use only with DBI-SALA approved system and harness. Maximum distance allowed between system cable and harness attachment point is 9 inches. Inspect before each use. Make only compatible connections between sleeve and harness. Failure to heed warnings may result in serious injury or death.



1. Part Number
2. Date Manufactured (Year/Month)
3. **WARNING:** Read and follow manufacturer's instructions supplied with this product before use. Do not use with incompatible cables. Use only with DBI-SALA approved system and harness. Maximum distance allowed between system cable and harness attachment point is 9 inches. Inspect before each use. Make only compatible connections between sleeve and harness. Failure to heed warnings may result in serious injury or death.



1. Maximum distance allowed between system cable and harness attachment point is 9 inches (23 cm).
2. Do not use with Lanyard.

9.0 INSPECTION AND MAINTENANCE LOG

SERIAL NUMBER:			
MODEL NUMBER:			
DATE PURCHASED:			DATE OF FIRST USE:

INSPECTION DATE	INSPECTION ITEMS NOTED	CORRECTIVE ACTION	MAINTENANCE PERFORMED
Approved By:			
Approved By:			
Approved By:			
Approved By:			
Approved By:			
Approved By:			
Approved By:			
Approved By:			
Approved By:			
Approved By:			
Approved By:			
Approved By:			
Approved By:			
Approved By:			
Approved By:			

9.0 INSPECTION AND MAINTENANCE LOG

SERIAL NUMBER:			
MODEL NUMBER:			
DATE PURCHASED:			DATE OF FIRST USE:

INSPECTION DATE	INSPECTION ITEMS NOTED	CORRECTIVE ACTION	MAINTENANCE PERFORMED
Approved By:			
Approved By:			
Approved By:			
Approved By:			
Approved By:			
Approved By:			
Approved By:			
Approved By:			
Approved By:			
Approved By:			
Approved By:			
Approved By:			
Approved By:			
Approved By:			
Approved By:			
Approved By:			
Approved By:			
Approved By:			
Approved By:			
Approved By:			

LIMITED LIFETIME WARRANTY

Warranty to End User: D B Industries, Inc., dba CAPITAL SAFETY USA ("CAPITAL SAFETY") warrants to the original end user ("End User") that its products are free from defects in materials and workmanship under normal use and service. This warranty extends for the lifetime of the product from the date the product is purchased by the End User, in new and unused condition, from a CAPITAL SAFETY authorized distributor. CAPITAL SAFETY'S entire liability to End User and End User's exclusive remedy under this warranty is limited to the repair or replacement in kind of any defective product within its lifetime (as CAPITAL SAFETY in its sole discretion determines and deems appropriate). No oral or written information or advice given by CAPITAL SAFETY, its distributors, directors, officers, agents or employees shall create any different or additional warranties or in any way increase the scope of this warranty. CAPITAL SAFETY will not accept liability for defects that are the result of product abuse, misuse, alteration or modification, or for defects that are due to a failure to install, maintain, or use the product in accordance with the manufacturer's instructions.

CAPITAL SAFETY'S WARRANTY APPLIES ONLY TO THE END USER. THIS WARRANTY IS THE ONLY WARRANTY APPLICABLE TO OUR PRODUCTS AND IS IN LIEU OF ALL OTHER WARRANTIES AND LIABILITIES, EXPRESSED OR IMPLIED. CAPITAL SAFETY EXPRESSLY EXCLUDES AND DISCLAIMS ANY IMPLIED WARRANTIES OF MERCHANTABILITY OR FITNESS FOR A PARTICULAR PURPOSE, AND SHALL NOT BE LIABLE FOR INCIDENTAL, PUNITIVE OR CONSEQUENTIAL DAMAGES OF ANY NATURE, INCLUDING WITHOUT LIMITATION, LOST PROFITS, REVENUES, OR PRODUCTIVITY, OR FOR BODILY INJURY OR DEATH OR LOSS OR DAMAGE TO PROPERTY, UNDER ANY THEORY OF LIABILITY, INCLUDING WITHOUT LIMITATION, CONTRACT, WARRANTY, STRICT LIABILITY, TORT (INCLUDING NEGLIGENCE) OR OTHER LEGAL OR EQUITABLE THEORY.

GARANTÍA LIMITADA DE POR VIDA

Garantía para el usuario final: D B Industries, Inc., que opera bajo el nombre de CAPITAL SAFETY USA ("CAPITAL SAFETY") garantiza al usuario final original ("Usuario final") que sus productos están libres de defectos de materiales y de mano de obra en condiciones normales de uso y mantenimiento. Esta garantía se extiende durante la vida útil del producto a partir de la fecha en que el Usuario final adquiere el producto, nuevo y sin uso, a un distribuidor autorizado de CAPITAL SAFETY. La entera responsabilidad de CAPITAL SAFETY hacia el Usuario final y el remedio exclusivo para el Usuario final bajo esta garantía están limitados a la reparación o el reemplazo por materiales de todo producto defectuoso dentro de su vida útil (según CAPITAL SAFETY lo determine y considere apropiado a su solo criterio). Ninguna información o asesoramiento, oral o escrito, proporcionado por CAPITAL SAFETY, sus distribuidores, directores, funcionarios, agentes o empleados creará una garantía diferente o adicional ni aumentará de ninguna manera el alcance de esta garantía. CAPITAL SAFETY no aceptará responsabilidad por defectos resultantes del abuso, el uso incorrecto, la alteración o la modificación del producto, ni por defectos resultantes de no respetar las instrucciones del fabricante durante la instalación, el mantenimiento o el uso del producto.

LA GARANTÍA DE CAPITAL SAFETY SE APLICA ÚNICAMENTE AL USUARIO FINAL. ESTA GARANTÍA ES LA ÚNICA GARANTÍA QUE SE APLICA A NUESTROS PRODUCTOS Y REEMPLAZA A TODAS LAS OTRAS GARANTÍAS Y RESPONSABILIDADES, EXPRESAS O IMPLÍCITAS. CAPITAL SAFETY EXPRESAMENTE EXCLUYE Y RENUNCIA A TODAS LAS GARANTÍAS IMPLÍCITAS DE COMERCIABILIDAD O APTITUD PARA UN PROPÓSITO PARTICULAR, Y NO SERÁ RESPONSABLE POR DAÑOS INCIDENTALES, PUNITIVOS O EMERGENTES DE NINGUNA NATURALEZA, INCLUYENDO SIN LIMITACIÓN PÉRDIDAS DE INGRESOS, GANANCIAS O PRODUCTIVIDAD; NI POR LESIONES CORPORALES O MUERTE, O PÉRDIDA DE O DAÑO A LA PROPIEDAD, BAJO CUALQUIER TEORÍA DE RESPONSABILIDAD, INCLUYENDO SIN LIMITACIÓN CONTRATO, GARANTÍA, RESPONSABILIDAD ESTRUCTA, AGRAVIO (INCLUIDA NEGLIGENCIA) O CUALQUIER OTRA TEORÍA LEGAL O EQUITATIVA.

GARANTIE LIMITÉE SUR LA DURÉE DE VIE

Garantie offerte à l'utilisateur final : D B Industries, Inc., dba CAPITAL SAFETY USA (« CAPITAL SAFETY ») garantit à l'utilisateur final d'origine (« Utilisateur final ») que les produits sont libres de tout défaut matériel et de fabrication dans des conditions normales d'utilisation et de service. Cette garantie couvre toute la durée de vie du produit, de sa date d'achat à l'état neuf et inutilisé par l'utilisateur auprès d'un distributeur agréé CAPITAL SAFETY. La responsabilité intégrale de Capital Safety et le seul recours du Client dans le cadre de cette garantie se limitent à la réparation ou le remplacement en nature des produits défectueux pendant leur durée de vie (à la seule discrétion de Capital Safety et selon ce qu'elle juge approprié). Aucun renseignement ou avis oral ou écrit fourni par CAPITAL SAFETY, ses détaillants, administrateurs, cadres, distributeurs, mandataires ou employés ne représentera une garantie ou n'augmentera de quelque manière la portée de la présente garantie limitée. CAPITAL SAFETY n'accepte aucune responsabilité pour les défauts causés par un abus, une utilisation abusive, une altération ou une modification, ou pour les défauts causés par le non-respect des instructions du fabricant relatives à l'installation, à l'entretien ou à l'utilisation du produit.

CETTE GARANTIE CAPITAL SAFETY S'APPLIQUE UNIQUEMENT À L'UTILISATEUR FINAL. ELLE EST LA SEULE GARANTIE APPLICABLE À NOS PRODUITS. ELLE EXCLUT TOUTE AUTRE GARANTIE EXPRESSE OU IMPLICITE. CAPITAL SAFETY EXCLUT EXPLICITEMENT ET DÉCLINE TOUTE GARANTIE IMPLICITE DE MISE EN MARCHÉ ET D'ADAPTATION À DES FINS PARTICULIÈRES, ET NE SERA RESPONSABLE POUR AUCUN DOMMAGE-INTÉRÊT DIRECT OU INDIRECT, CORRÉLATIF OU ACCESSOIRE DE TOUTE NATURE Y COMPRIS ET DE MANIÈRE NON LIMITATIVE, LES PERTES DE PROFITS, LES REVENUS OU LA PRODUCTIVITÉ, LES BLESSURES CORPORELLES, VOIRE LA MORT OU DOMMAGES À LA PROPRIÉTÉ, DANS LE CADRE DE TOUTE THÉORIE DE RESPONSABILITÉ, Y COMPRIS ET DE MANIÈRE NON LIMITATIVE UN CONTRAT, UNE GARANTIE, UNE RESPONSABILITÉ (Y COMPRIS LA NÉGLIGENCE) OU TOUTE AUTRE THÉORIE LÉGALE OU ÉQUITABLE.



The Ultimate in Fall Protection

CSG USA & Latin America

3833 SALA Way
Red Wing, MN 55066-5005
Toll Free: 800.328.6146
Phone: 651.388.8282
Fax: 651.388.5065
solutions@capitalsafety.com

CSG Canada

260 Export Boulevard
Mississauga, ON L5S 1Y9
Phone: 905.795.9333
Toll-Free: 800.387.7484
Fax: 888.387.7484
info.ca@capitalsafety.com

CSG Northern Europe

5a Merse Road
North Moons, Moat
Reditch, Worcestershire, UK
B98 9HL
Phone: + 44 (0)1527 548 000
Fax: + 44 (0)1527 591 000
csgne@capitalsafety.com

**CSG EMEA
(Europe, Middle East, Africa)**

Le Broc Center
Z.I. 1ère Avenue
5600 M B.P. 15 06511
Carros
Le Broc Cedex
France
Phone: + 33 4 97 10 00 10
Fax: + 33 4 93 08 79 70
information@capitalsafety.com

CSG Australia & New Zealand

95 Derby Street
Silverwater
Sydney NSW 2128
AUSTRALIA
Phone: +(61) 2 8753 7600
Toll-Free : 1 800 245 002 (AUS)
Toll-Free : 0800 212 505 (NZ)
Fax: +(61) 2 87853 7603
sales@capitalsafety.com.au

CSG Asia

Singapore:
16S, Enterprise Road
Singapore 627666
Phone: +65 - 65587758
Fax: +65 - 65587058
inquiry@capitalsafety.com

Shanghai:

Rm 1406, China Venturetech Plaza
819 Nan Jing Xi Rd,
Shanghai 200041, P R China
Phone: +86 21 62539050
Fax: +86 21 62539060

www.capitalsafety.com

