



The Ultimate in Fall Protection

AS/NZS 5532:2013
Please read this User Manual carefully before using the associated products.

**USER INSTRUCTION
MANUAL**

**ANCHOR ON THE GO™ WITH ZORBA™ TECH
2100191**

Figure 1 – Anchor on the Go™ with ZORBA™Tech

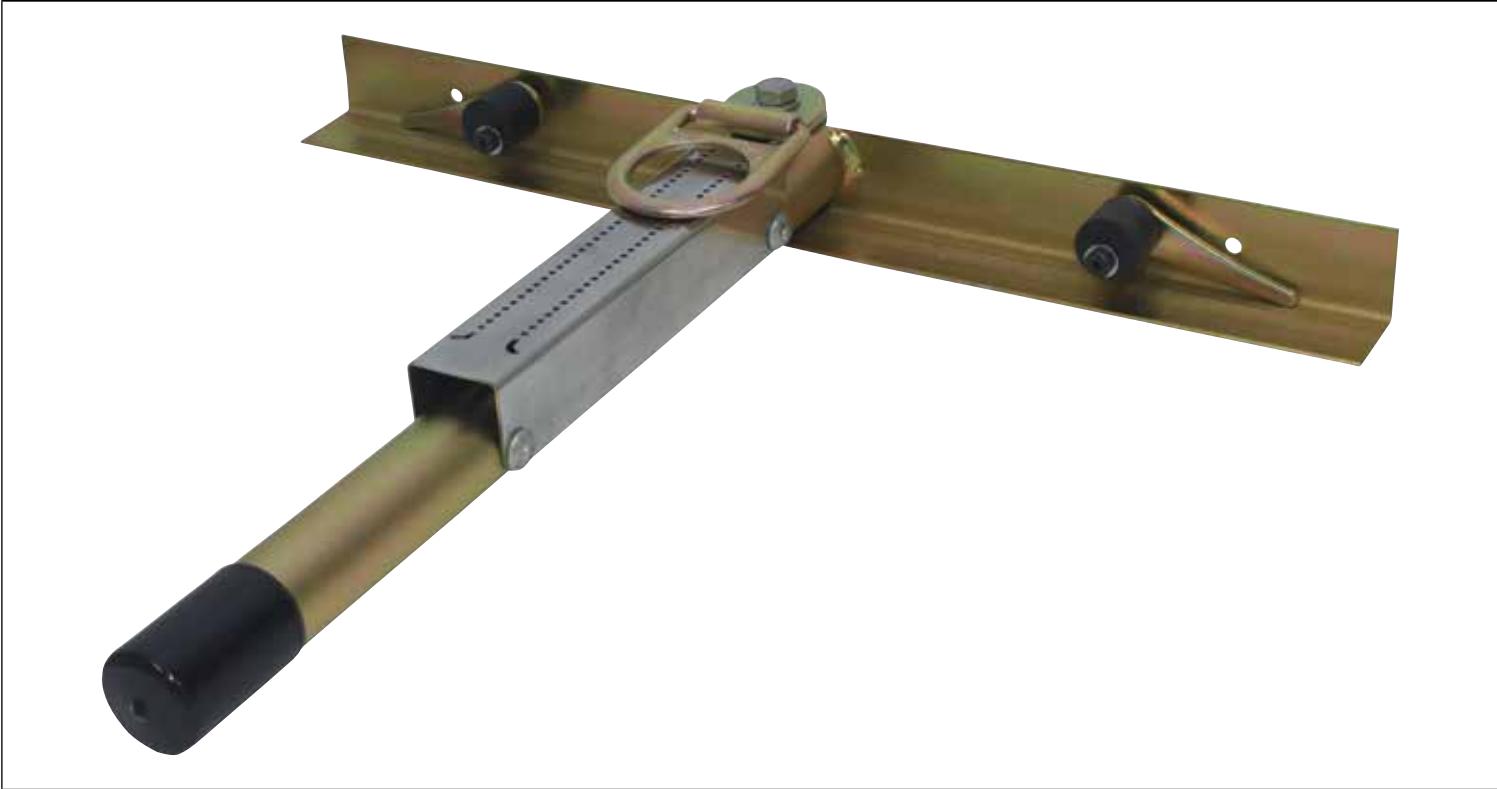
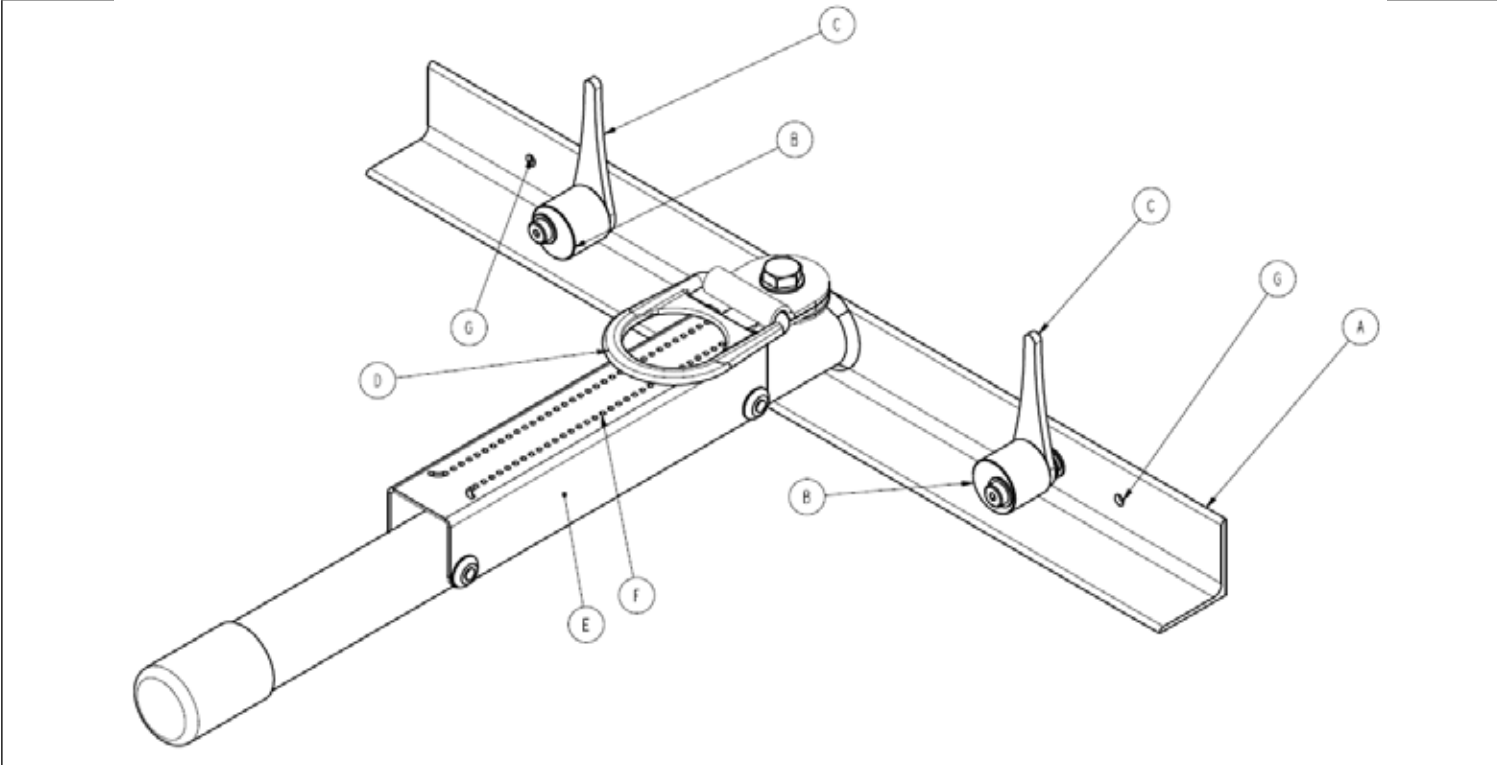


Figure 2 – Anchor on the Go™ with ZORBA™Tech Components



IMPORTANT: If you have questions on the use, care, or suitability of this equipment for your application, contact Capital Safety.

1.0 APPLICATIONS

1.1 PURPOSE: The Anchor on the Go™ with ZORBA™Tech is a temporary anchor for use on metal, pitched roofs. The user must read and follow the manufacturer's instruction for each component or part of the complete system. These instructions must be provided to the user of this equipment. The user must read and understand these instructions or have them explained to them before using this equipment. Manufacturer's instructions must be followed for proper use and maintenance of this product. Alterations or misuse of this product or failure to follow instructions may result in serious injury or death. The Anchor on the Go™ with ZORBA™Tech is not suitable for abseiling (rope access).

Figure 2 illustrates key components of the Anchor on the Go™ with ZORBA™Tech:

- A. Body - Steel Zinc Chromate
- B. Locking Cam - Nylon
- C. Lever - Steel Zinc Chromate
- D. Connection Point - Forged Steel Zinc Chromate
- E. ZORBA™Tech Shock Absorber - Stainless Steel
- F. Tear Elements
- G. Addition Locking Cam Mounting Position

1.2 STANDARDS: The Anchor on the Go™ with ZORBA™Tech is certified for use under AS/NZS 5532 and is rated for use with 1 person, 15kN.

IMPORTANT: Certification to AS/NZS 5532 has been conducted on roof sheeting and construction approved by Capital Safety. For a list of approved roof sheeting and construction see section 2.5.

1.3 RESCUE PLAN: When using this equipment and connecting subsystem(s), the employer must have a rescue plan and the means at hand to implement and communicate that plan to users, authorised persons, and rescuers.

1.4 TRAINING: This equipment is intended to be used by persons trained in its correct application and use. It is the responsibility of the user to ensure they are familiar with these instructions and are trained in the correct care and use of this equipment. Users must also be aware of the operating characteristics, application limits, and the consequences of improper use. Consideration should be given to the user's age, fitness and physical or mental limitations that could have a detrimental effect on the safe use of this equipment.

1.5 INSPECTION FREQUENCY: See Section 5 of this manual for inspection frequency and procedures.

WARNING: Once the ZORBA™Tech shock absorber has been deployed a sharp edge is created. Precautions should be taken when handling the product such as, gloves, long sleeves, etc.

2.0 EQUIPMENT LIMITATIONS & REQUIREMENTS

Always consider the following limitations and requirements when installing or using this equipment.

2.1 ENVIRONMENTAL HAZARDS: Use of the Anchor on the Go™ with ZORBA™Tech in areas with environmental hazards may require additional precautions to prevent injury to the user or damage to the equipment. Hazards may include, but are not limited to; heat, chemicals, corrosive environments, high voltage power lines, gases, moving machinery, and sharp edges.

IMPORTANT: When working with tools, materials, or in high temperature environments, ensure that associated work and rescue equipment can withstand high temperatures, or provide protection for those items.

2.2 COMPATIBILITY OF COMPONENTS: Capital Safety equipment is designed for use with Capital Safety approved components and subsystems only. Substitutions or replacements made with non-approved components or subsystems may jeopardize compatibility of equipment and may affect the safety and reliability of the complete system.

2.3 COMPATIBILITY OF CONNECTORS: Connectors are considered to be compatible with connecting elements when they have been designed to work together in such a way that their sizes and shapes do not cause their gate mechanisms to inadvertently open regardless of how they become oriented. Contact Capital Safety if you have any questions about compatibility. Connectors (hooks, karabiners, and D-rings) must be capable of supporting at least 22.2 kN (5,000 lb.). Connectors must be compatible with the anchorage or other system components. Do not use equipment that is not compatible. Non-compatible connectors may unintentionally disengage (see Figure 4). Connectors must be compatible in size, shape, and strength.

2.4 MAKING CONNECTIONS: Use only connectors that are suitable to each application. Ensure all connections are compatible in size, shape and hook strength. Do not use equipment that is not compatible. Ensure all connectors are fully closed and locked.

Capital Safety connectors (snap hooks and karabiners) are designed to be used only as specified in each product's user's instructions. See Figure 3 for inappropriate connections. Capital Safety snap hooks and karabiners **should not be** connected:

A. To a D-ring to which another connector is attached

IMPORTANT: Large throat snap hooks should not be connected to standard size D-rings or similar objects which will result in a load on the gate if the hook or D-ring twists or rotates.

B. In a manner that would result in a load on the gate

C. In a false engagement, where features that protrude from the snap hook or karabiner catch on the anchor, and without visual confirmation seems to be fully engaged to the anchor point

D. To each other

E. Directly to webbing or rope lanyard or tie-back (unless the manufacturer's instructions for both the lanyard and connector specifically allows such a connection)

F. To any object which is shaped or dimensioned such that the snap hook or karabiner will not close and lock, or that roll-out could occur

G. In a manner that does not allow the connector to align properly while under load

Figure 3 - Roll-out

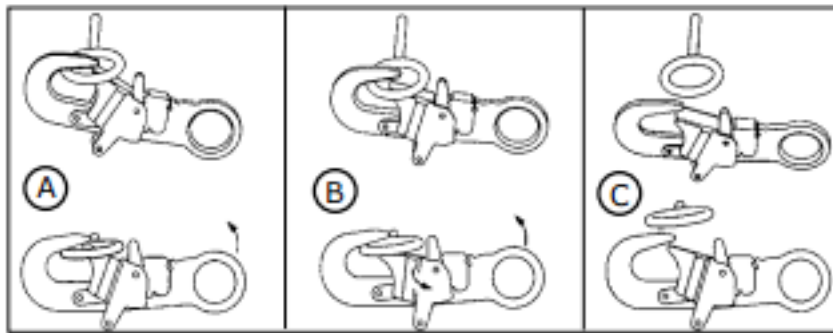
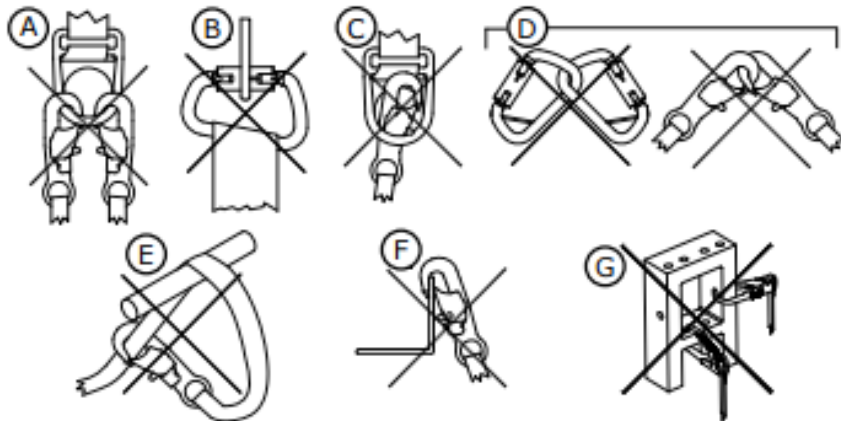


Figure 4 - Compatibility



WARNING: Failure to create a proper connection to the Anchor on the Go™ with ZORBA™Tech may cause the equipment to function in an improper manner, resulting in serious injury or death.

2.5 COMPATIBILITY OF ROOF STRUCTURE: The Anchor on the Go™ with ZORBA™Tech is compatible and approved for use with the following types of roof sheeting Custom Orb, Spandek, Trimdek and Klip-Lok 700HS. Klip-Lok is only suitable for use in applications where one end of the sheeting is terminated with screws and capping as per the manufacturer's guidelines. For all sheets, along the edge where the Anchor on the Go™ with ZORBA™Tech is to be attached there must be a row of fasteners, screws or clips, within 100mm of the edge, in the configuration specified by the manufacturer. The minimum allowable thickness for all approved roof sheets is 0.42mm. Use of the Anchor on the Go™ with ZORBA™Tech on non-approved roof sheeting may result in serious injury or death.

3.0 INSTALLATION AND USE

- 3.1 PLANNING:** Plan your work or rescue system before starting your work. Account for all factors that may affect your safety before, during, and after a fall. Consider all requirements and limitations defined in Section 2.
- 3.2 INSPECTION BEFORE USE:** See Section 5 of this manual for inspection frequency and procedures.
- 3.3 INSPECTION STRUCTURE BEFORE USE:** Before use, inspect the structure on which the equipment is to be mounted. If there is any doubt that the structure compatible, as per section 2.5, or capable of supporting 15kN, consult an engineer prior to starting work.
- 3.4 INSTALLING THE ANCHOR ON THE GO™ WITH ZORBA™TECH:**
- A. Prepare the Anchor on the Go™ with ZORBA™Tech by moving the locking cams to the appropriate location. For Spandek and Trimdek the locking cam should be in the inner most location and for Custom Orb and Klip-Lok the locking cams should be in the outer most location.
 - B. On the opposite side of the roof to where work is going to be conducted, prepare the roof by removing any leaves, sticks or other debris from the edge of the roof sheeting where the anchor is to be installed.
 - C. Lift the locking cam using the levers to the open position.
 - D. Slide the anchor on to the edge of the roof sheeting until the roof sheeting is fully engaged in the body.
 - E. Depress the levers to lock the device in position.
 - F. Attach a lifeline to the connection point of the device and throw the line over the roof to the side where work is to be conducted. Alternatively a tag line can be thrown over and lifeline pulled from the other side.
 - G. Gain safe access to the roof on the side where work is to be conducted and attached yourself to the lifeline.

Figure 5 - Installation Step 1

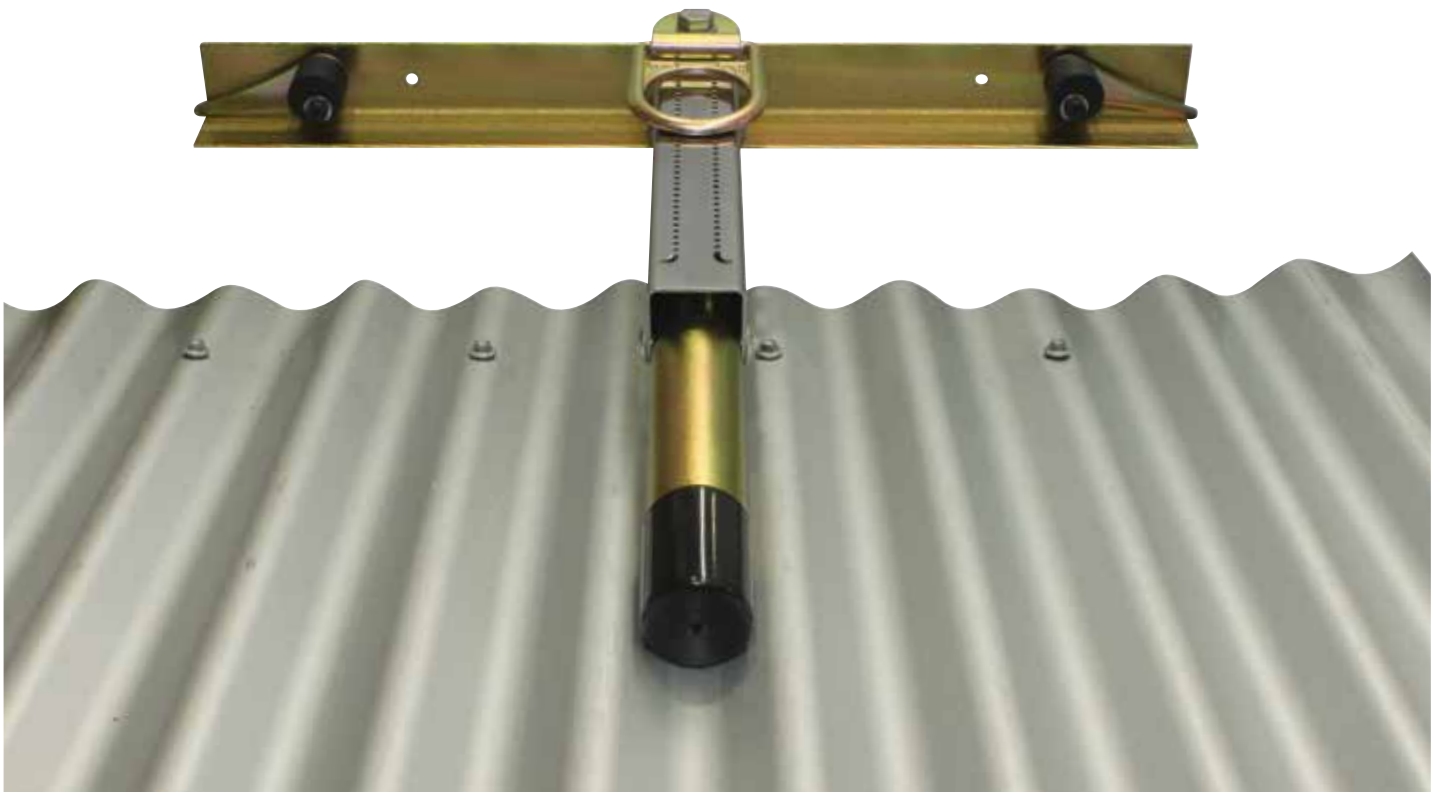


Figure 6 - Installation Step 2

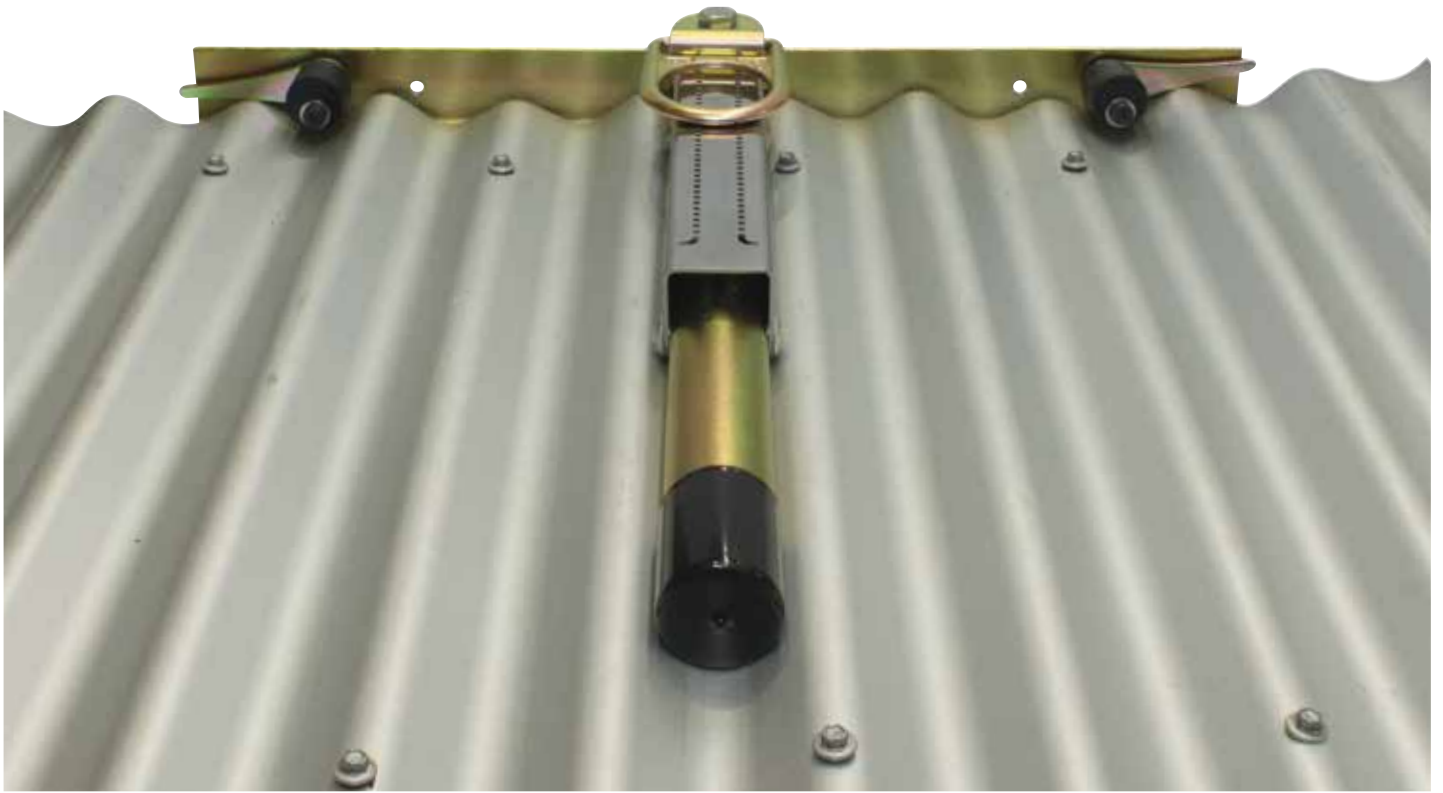
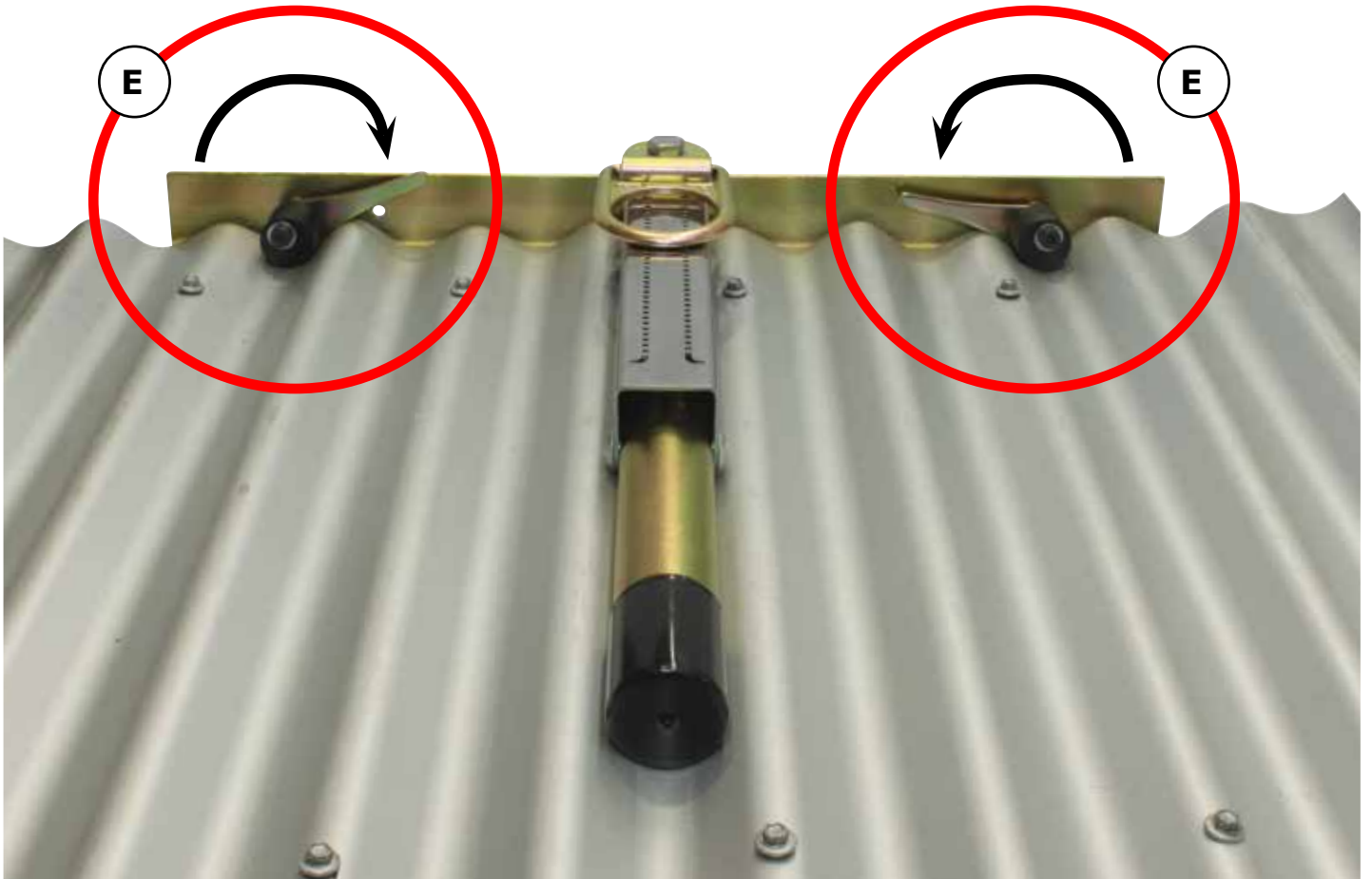


Figure 7 - Installation Step 3



3.5 USING THE ANCHOR ON THE GO™ WITH ZORBA™TECH: The user must remain within the operating area of the device at all times. See Figure 8 for allowable distances. Do not use the Anchor on the Go™ with ZORBA™Tech if there is a risk of a fall occurring outside the specified operating area.

WARNING: Loading the device outside of this operating area may result in serious injury or death.

IMPORTANT: Different roof sheets have different operating areas. It is important to recognise the type of roof sheeting to which the anchor is attached in order to conduct work safely.

3.6 USING THE ANCHOR ON THE GO™ WITH ZORBA™TECH ON CUSTOM ORB AND SPANDEK: For compatible Custom Orb and Spandek profiles (See section 2.5) the operating area is up to 15 degrees either side of the centreline of the device (see Figure 8 - Operating Area and table 1).

3.7 USING THE ANCHOR ON THE GO™ WITH ZORBA™TECH ON TRIMDEK AND KLIP-LOK: For compatible Trimdek and Klip-Lok profiles (See section 2.5) the operating area is up to 10 degrees either side of the centreline of the device (see Figure 8 - Operating Area and table 2).

Figure 8 - Operating Area

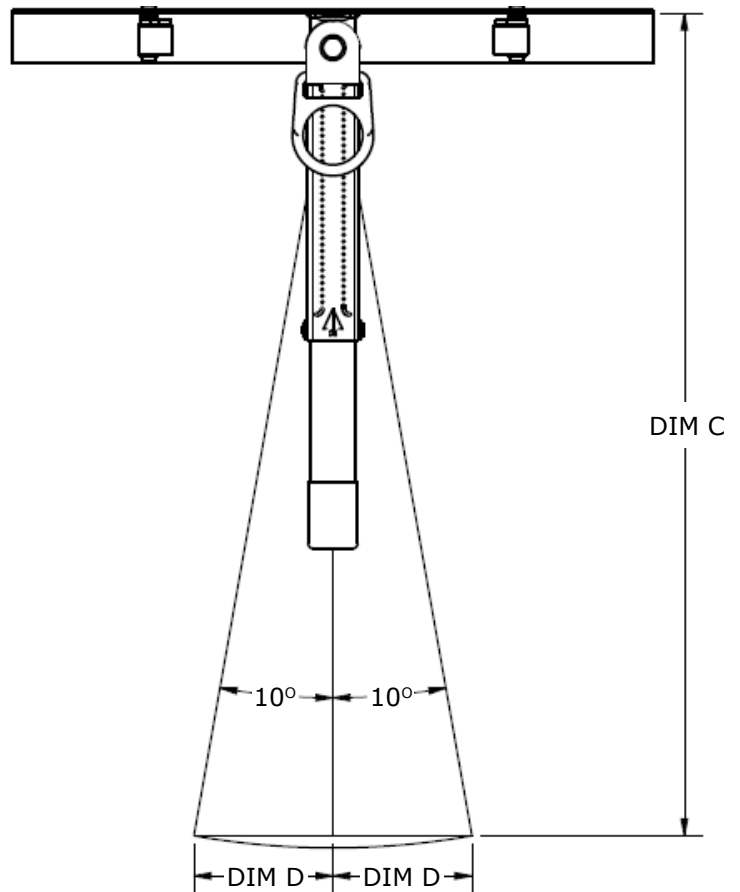
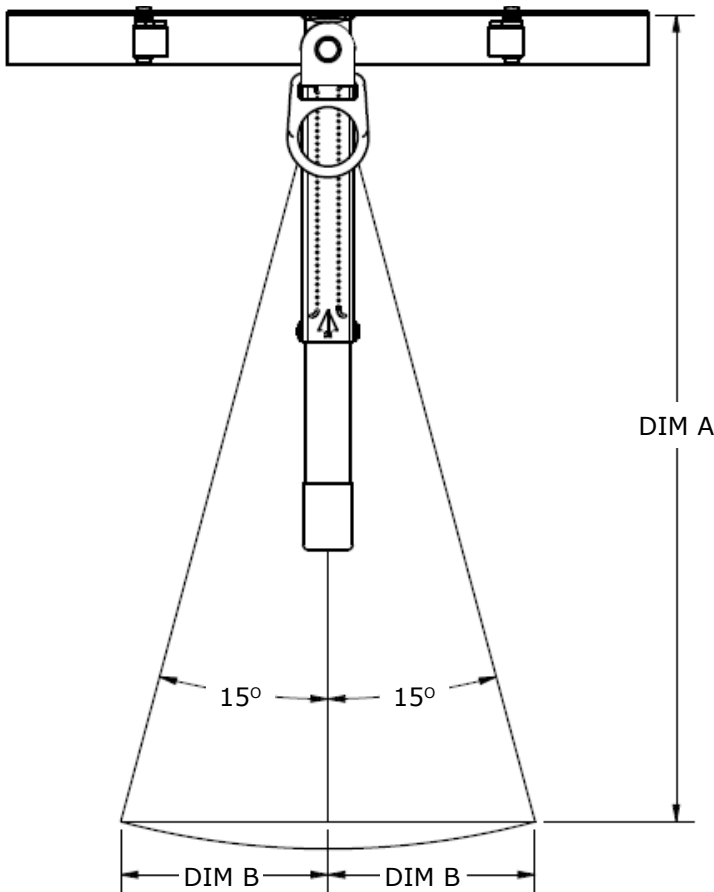


TABLE 1

DIM A (M)	DIM B (M)
3	0.8
6	1.6
9	2.4
12	3.2
15	4
20	5.4
30	8

TABLE 2

DIM C (M)	DIM D (M)
3	0.53
6	1.06
9	1.59
12	2.12
15	2.64
20	3.53
30	5.3

3.8 ZORBA™TECH: The ZORBA™Tech shock absorber does not eliminate the need for a personal shock absorber. The ZORBA™Tech shock absorber is designed to protect the roof structure in the event of a fall and cannot be relied on to limit the forces on the user as per the requirements of AS/NZS 1891.4.

WARNING:

- The user shall not work on the same side of the roof as the Anchor on the Go™ with ZORBA™Tech that they are attached to.
- It is the responsibility of the user to ensure the roof structure is capable of sustaining a 15kN load.
- Do not work outside the operating area of the device specified in 3.5, 3.6 and 3.7.
- Avoid swing fall by remaining within the limitations of Section 3.5.
- Safe use of the equipment requires component and connector compatibility with other components of the fall arrest or positioning system. Refer to Sections 2.3, 2.4 And 2.5 In this instruction.
- This equipment shall be used in conjunction with a personal shock absorber that meets the requirements of AS/NZS1891.1 or a Type 1 device that meets the requirements of AS/NZS 1891.3.
- When installing the product on approved Trimdek roof sheeting, the anchor must be installed in a trough either side of a lap joint.

WARNING: Connections made to any point other than the specified connection point on the equipment may impede the function of the Anchor on the Go™ with ZORBA™Tech and may result in serious injury or death.

3.9 COLD WEATHER USE: When the Anchor on the Go™ with ZORBA™Tech is used in extremely cold weather, be aware if there is a possibility of water/ice forming on the roof. Confirm that the Anchor on the Go™ with ZORBA™Tech and surrounding area is free of ice.

4.0 TRAINING

4.1 It is the responsibility of all users of the Anchor on the Go™ with ZORBA™Tech to understand these instructions and to be trained in the correct installation, use, and maintenance of the equipment. These users must be aware of the consequences of improper installation or use of this equipment. Reading this user manual is not a substitute for a comprehensive training program. Training must be provided on a periodic basis to ensure proficiency of the users.

IMPORTANT: Training must be conducted without exposing the trainee to a fall hazard or must be used with backup fall protection. Training should be repeated on a periodic basis.

5.0 INSPECTION

The Anchor on the Go™ with ZORBA™Tech must be visually and manually inspected by the user before and after each use. It must be inspected by a competent person every 6 months to verify that the equipment is operating correctly. If the equipment fails an inspection and/or has seen a force greater than its rated load, it must be immediately taken out of service and destroyed to prevent further use.

IMPORTANT: Extreme working conditions (harsh environments, prolonged use, etc.) may require increasing the frequency of inspections.

WARNING: If the Anchor on the Go™ with ZORBA™Tech has been subjected to impact forces it must be removed from service and destroyed to prevent further use.

IMPORTANT: The Anchor on the Go™ with ZORBA™Tech is only repairable by certified service agents. Do not alter or attempt to repair the Anchor on the Go™ with ZORBA™Tech without the written consent of Capital Safety Australia.

5.1 UNSAFE OR DEFECTIVE CONDITIONS: If inspection reveals an unsafe or defective condition, remove the Anchor on the Go™ with ZORBA™Tech from service and destroy it.

5.2 PRODUCT LIFE: The functional life of the Anchor on the Go™ with ZORBA™Tech is determined by work conditions and maintenance. Provided the Anchor on the Go™ with ZORBA™Tech passes inspection criteria, it may remain in service.

WARNING: Once the ZORBA™Tech shock absorber has been deployed a sharp edge is created. Precautions should be taken when handling the product such as, gloves, long sleeves, etc.

Table 1 - Inspection Checklist

See Figure 2 for Anchor on the Go™ with ZORBA™Tech component identification	User		Competent Person	
	Pass	Fail	Pass	Fail
<i>Tick the appropriate.</i>				
Confirm there are no cracks, corrosion or deformation to the Body, locking cams, lever, connection point, of the device.				
All labels and markings must be present and legible. Inspect markings and labels on all components of the equipment.				
Inspect the ZORBA™Tech shock absorber is not bent and all tear elements are intact.				
Check all fasteners (locking cam screw, connection point screw and ZORBA™Tech rivets) are secure and tight.				
Inspect each locking cam assembly is complete and contain a lock cam, lever, 3x M8 flat washer, 1x M8 spring washer and 1x locking nut.				
Check connection point is free to pivot.				

6.0 CLEANING, MAINTENANCE, AND STORAGE

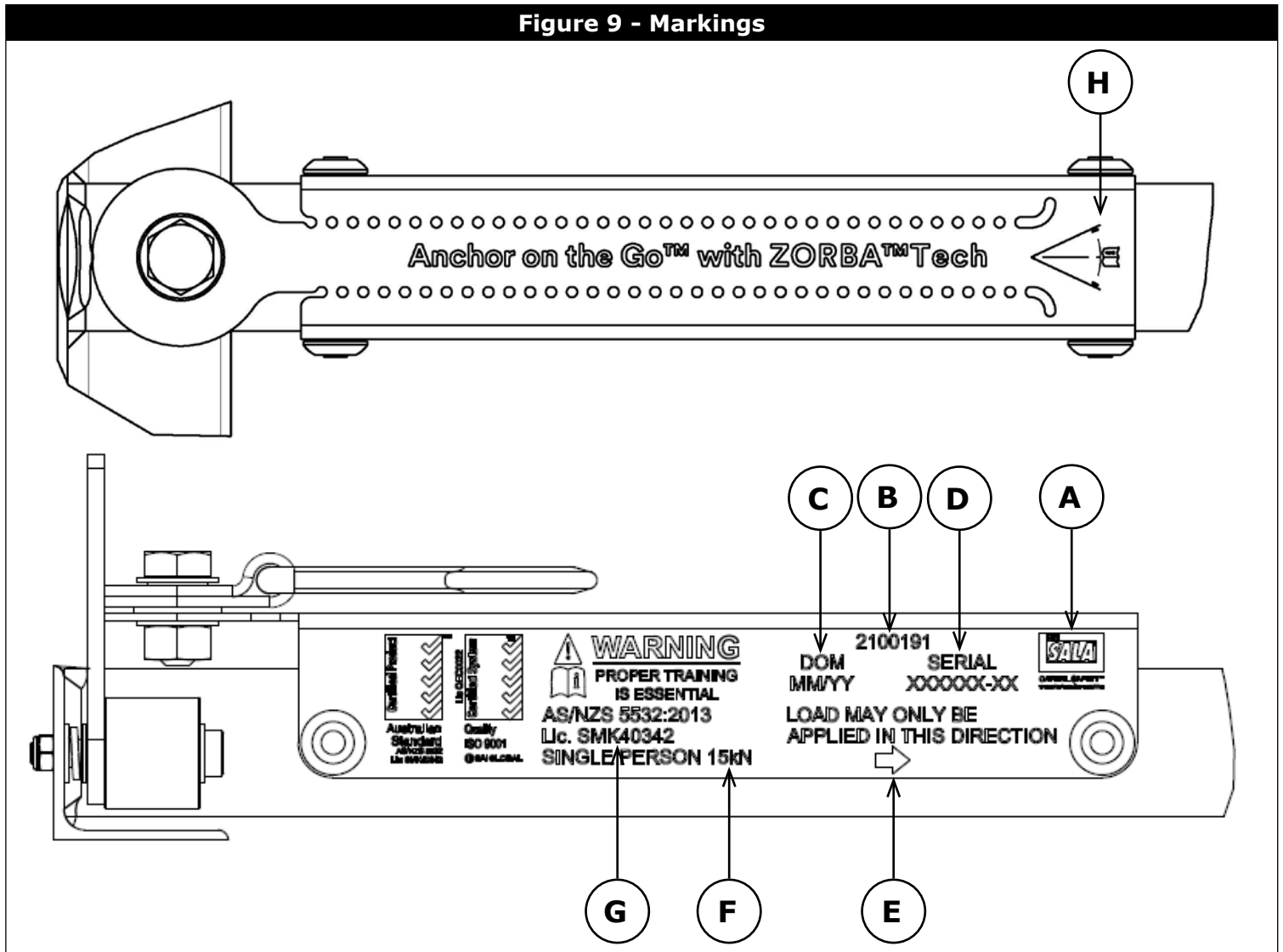
- 6.1 COLD WEATHER USE:** The Anchor on the Go™ with ZORBA™Tech should be cleaned in clean lukewarm water and allowed to dry. Cleaning and drying should be carried out immediately after every use in a corrosive environment. Examine the locking cams, levers and connection point to ensure any grit is removed. A light cleaning agent such as WD-40 or equivalent may be used to remove grit, dirt and grime that may cause stiffness in the operation these components.
- 6.2 MAINTENANCE:** The Anchor on the Go™ with ZORBA™Tech is only repairable by certified service agents. Do not alter or attempt to repair the Anchor on the Go™ with ZORBA™Tech without the written consent of Capital Safety Australia.
- 6.3 STORAGE:** Store in a clean, dry environment. Avoid temperature extremes, corrosive fumes or chemical substances. If the Anchor on the Go™ with ZORBA™Tech comes into contact with chemicals refer to chemical data sheets and/ or the manufacturer. When not in use or in transport, this equipment should be properly protected from the elements and whenever possible kept in a protective bag and dry.
- 6.4 SYSTEM COMPONENTS:** Clean and store all other system components according to the manufacturers’ instructions.

7.0 SPECIFICATIONS

MODEL	DIMENSIONS MM (IN)	MASS KG (LB)
2100191	600 (23.6) x 500 (19.7) x 85 (3.3)	4.2 (9.3)

8.0 MARKINGS AND LABELS

Figure 9 - Markings



See Figure 9

A	Manufacturer
B	Part Number
C	Date of Manufacture
D	Serial Number
E	Load Direction
F	Rated Load
G	AS/NZS Licence Number
H	Operating Area Instruction

Inspection and Maintenance Log

SERIAL NUMBER:

MODEL NUMBER:

DATE PURCHASED:

DATE OF FIRST USE:

Corrective Action/Maintenance:

Approved By:

Date:

Corrective Action/Maintenance:

Approved By:

Date:

Corrective Action/Maintenance:

Approved By:

Date:

Corrective Action/Maintenance:

Approved By:

Date:

Corrective Action/Maintenance:

Approved By:

Date:

Corrective Action/Maintenance:

Approved By:

Date:

Corrective Action/Maintenance:

Approved By:

Date:

Corrective Action/Maintenance:

Approved By:

Date:

Corrective Action/Maintenance:

Approved By:

Date:

Corrective Action/Maintenance:

Approved By:

Date:

Corrective Action/Maintenance:

Approved By:

Date:

Corrective Action/Maintenance:

Approved By:

Date:

Corrective Action/Maintenance:

Approved By:

Date:

Corrective Action/Maintenance:

Approved By:

Date:

Corrective Action/Maintenance:

Approved By:

Date:

Corrective Action/Maintenance:

Approved By:

Date:

Corrective Action/Maintenance:

Approved By:

Date:

Corrective Action/Maintenance:

Approved By:

Date:

Corrective Action/Maintenance:

Approved By:

Date:

Corrective Action/Maintenance:

Approved By:

Date:

Corrective Action/Maintenance:

Approved By:

Date:

LIMITED LIFETIME WARRANTY

Warranty to End User: CAPITAL SAFETY warrants to the original end user ("End User") that its products are free from defects in materials and workmanship under normal use and service. This warranty extends for the lifetime of the product from the date the product is purchased by the End User, in new and unused condition, from a CAPITAL SAFETY authorised distributor. CAPITAL SAFETY'S entire liability to End User and End User's exclusive remedy under this warranty is limited to the repair or replacement in kind of any defective product within its lifetime (as CAPITAL SAFETY in its sole discretion determines and deems appropriate). No oral or written information or advice given by CAPITAL SAFETY, its distributors, directors, officers, agents or employees shall create any different or additional warranties or in any way increase the scope of this warranty. CAPITAL SAFETY will not accept liability for defects that are the result of product abuse, misuse, alteration or modification, or for defects that are due to a failure to install, maintain, or use the product in accordance with the manufacturer's instructions. THIS WARRANTY IS THE ONLY WARRANTY APPLICABLE TO OUR PRODUCTS AND IS IN LIEU OF ALL OTHER WARRANTIES AND LIABILITIES, EXPRESSED OR IMPLIED.

LIMITED LIFETIME WARRANTY (AUSTRALIA)

Warranty to End User: Capital Safety Group (Australia) Pty Ltd ("Capital Safety") warrants to the original end user ("End User") that its products are free from defects in materials and workmanship under normal use and service. This warranty extends for the lifetime of the product from the date the product is purchased by the End User, in new and unused condition, from a Capital Safety authorised distributor. This warranty is provided in addition to other rights and remedies available to the End User under law.

No oral or written information or advice given by Capital Safety, its distributors, directors, officers, agents or employees shall create any different or additional warranties or in any way increase the scope of this warranty. This warranty will not apply to and Capital Safety will not accept liability for defects that result from product abuse, misuse, alteration or modification, or for defects that are due to a failure to install, maintain or use the product according to the manufacturer's instructions.

Capital Safety's warranty applies only to the End User.

To claim under this warranty, the End User should contact customer service to obtain a stock return authorisation form and return the product, together with an explanation of the reason for the return, to:

CAPITAL SAFETY AUSTRALIA
95 Derby Street, Silverwater, NSW 2128
Phone: 02 8753 7600/Toll free: 1800 245 002
Email: quality@capitalsafety.com.au

The End User must pay the cost of packaging and returning the product to Capital Safety.

Limitation of Warranty: The warranties stated in this document are exclusive and are made in place of any and all conditions, warranties or representations as to the merchantability, performance, quality or fitness for a particular purpose of the product that may be implied by law, and in place of any industry practice or custom or trade usage.

The product comes with guarantees that cannot be excluded under Australian Consumer Law. The End User is entitled to a replacement or refund for a major failure and to compensation for any other reasonably foreseeable loss or damage. The End User is also entitled to have the product repaired or replaced if the product fails to be of acceptable quality and the failure does not amount to a major failure.

Limitation of Liability:

To the extent permitted by law:

- (a) Capital Safety's maximum liability to the End User for failure to comply with a consumer guarantee in respect of the supply of the product not of a kind ordinarily acquired for personal, domestic or household use or consumption is limited, at Capital Safety's sole discretion, to repair or replacement of the product; and
- (b) Capital Safety will not be liable for any direct, indirect, special, or consequential damages of any kind, including loss of profits, revenue or business, death, personal injury or damage to property resulting from or in any way related to Capital Safety's products.



Global Leader in Fall Protection

USA

3833 SALA Way
Red Wing, MN 55066-5005
Toll Free: 800.328.6146
Phone: 651.388.8282
Fax: 651.388.5065
solutions@capitalsafety.com

Brazil

Rua Anne Frank, 2621
Boqueirão Curitiba PR
81650-020
Brazil
Phone: 0800-942-2300
brasil@capitalsafety.com

Mexico

Calle Norte 35, 895-E
Col. Industrial Vallejo
C.P. 02300 Azcapotzalco
Mexico D.F.
Phone: (55) 57194820
mexico@capitalsafety.com

Colombia

Compañía Latinoamericana de Seguridad S.A.S.
Carrera 106 #15-25 Interior 105 Manzana 15
Zona Franca - Bogotá, Colombia
Phone: 57 1 6014777
servicioalcliente@capitalsafety.com

Canada

260 Export Boulevard
Mississauga, ON L5S 1Y9
Phone: 905.795.9333
Toll-Free: 800.387.7484
Fax: 888.387.7484
info.ca@capitalsafety.com

EMEA (Europe, Middle East, Africa)

EMEA Headquarters:
5a Merse Road
North Moons Moat
Redditch, Worcestershire
B98 9HL UK
Phone: + 44 (0)1527 548 000
Fax: + 44 (0)1527 591 000
csgne@capitalsafety.com

France:

Le Broc Center
Z.I. Ire Avenue - BP15
06511 Carros Le Broc Cedex
France
Phone: + 33 04 97 10 00 10
Fax: + 33 04 93 08 79 70
information@capitalsafety.com

Australia & New Zealand

95 Derby Street
Silverwater
Sydney NSW 2128
Australia
Phone: +(61) 2 8753 7600
Toll-Free : 1800 245 002 (AUS)
Toll-Free : 0800 212 505 (NZ)
Fax: +(61) 2 8753 7603
sales@capitalsafety.com.au

Asia

Singapore:
69, Ubi Road 1, #05-20
Oxley Bizhub
Singapore 408731
Phone: +65 - 65587758
Fax: +65 - 65587058
inquiry@capitalsafety.com

Shanghai:

Rm 1406, China Venturetech Plaza
819 Nan Jing Xi Rd,
Shanghai 200041, P R China
Phone: +86 21 62539050
Fax: +86 21 62539060
inquiry@capitalsafety.cn

www.capitalsafety.com

