



Portable Guardrail System
 Model Numbers:
 7900060, 7900061, 7900062, 7900063

**INSTALLATION INSTRUCTIONS:
 PORTABLE GUARDRAIL SYSTEM**

This instruction is intended to meet the Manufacturer’s Instructions requirement of OSHA and should be used as part of an employee training program.

WARNING: These instructions must be provided to the installer of this equipment and must be followed for proper use. Alterations or misuse of this product, or failure to follow instructions, may result in serious injury or death.

IMPORTANT: If you have questions on the use, care, or suitability of this equipment for your application, contact Capital Safety.

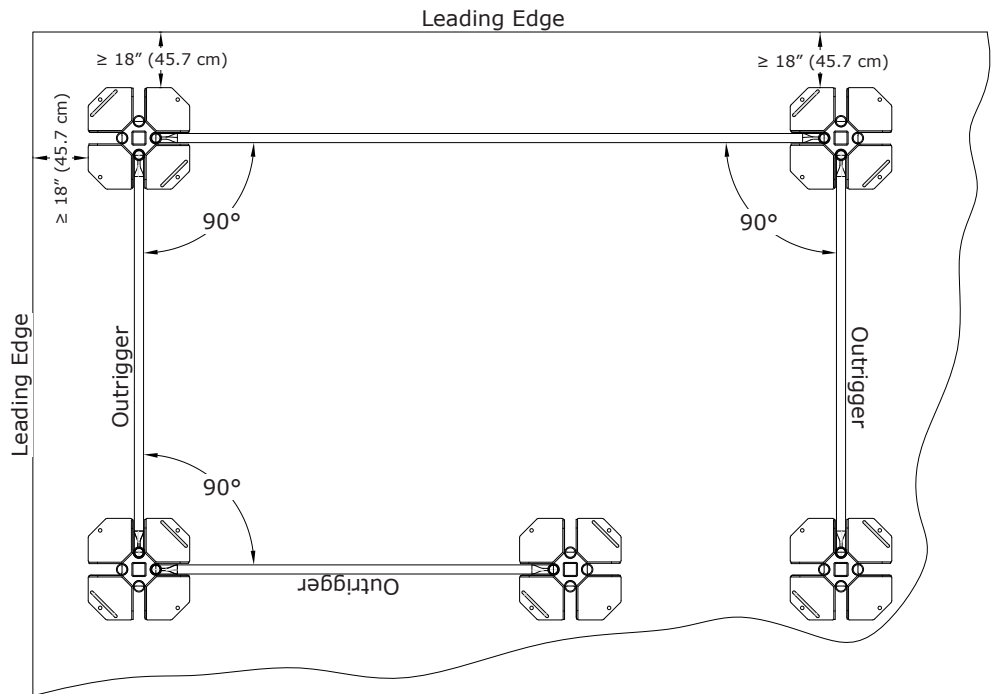
Figure 1 - Component Identification

A	7900060	Base Plate, 80 lbs (36 kg), steel, galvanized finish, 18" x 18" (46 cm x 46 cm)	(A)	(B)
B	7900061	Guardrail, 6' (1.8 m), 18 lbs (8 kg), 1-5/8" (4 cm) Steel Tube, Powder Coat Finish, 42" (106.7 cm) height	(C)	
	7900062	Guardrail, 8' (2.4 m), 22 lbs (10 kg), 1-5/8" (4 cm) Steel Tube, Powder Coat Finish, 42" (106.7 cm) height		
	7900063	Guardrail, 10' (3.0 m), 28 lbs (13 kg), 1-5/8" (4 cm) Steel Tube, Powder Coat Finish, 42" (106.7 cm) height		
C	7900005	Splice Kit, Powder Coat Finish, Steel	(D)	
D	7900007	Safety Swing Gate, Powder Coat Finish, Steel		

This page intentionally left blank

Figure 2 - System Planning

- Only install on a flat, clean, dry (non-slippery, non-sloped) surface.
- Maintain a minimum distance of 10' (3.0 m) from electrical/power lines.
- Position Base Plates a minimum of 18" (45.7 cm) from any leading edge when a curb or parapet is not present.
- Where Guardrail runs align with a Leading Edge, install "Outrigger" Guardrails at right angles (90°) at the beginning, end, and any interruption of the run.
- Where required, use 2" x 4" (38 mm x 89 mm) lumber Toe Board to prevent materials or equipment from falling to lower levels.



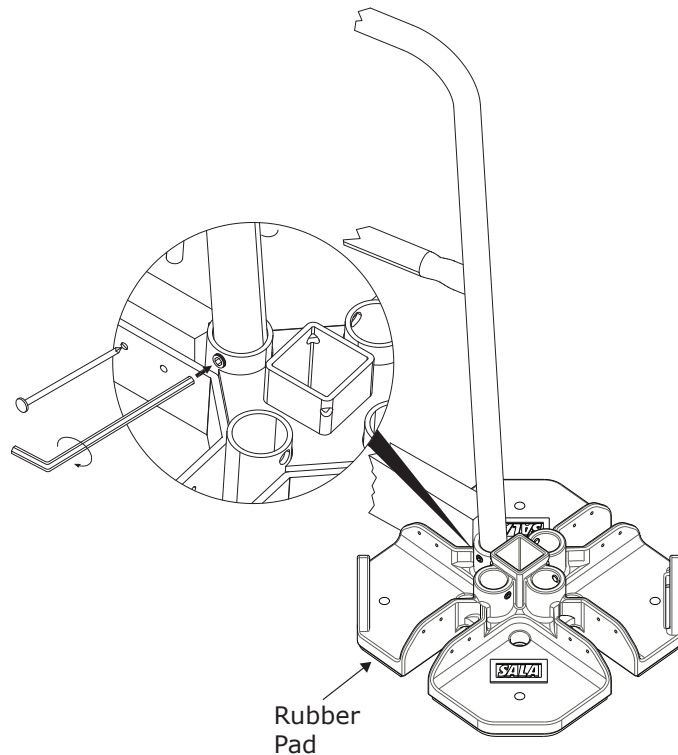
IMPORTANT: All Portable Guardrail System installations must be approved by trained safety personnel.

Figure 3 - Guardrail Installation

1. Position Base Plates at the required locations on a flat, clean, dry surface (See 1. System Planning).

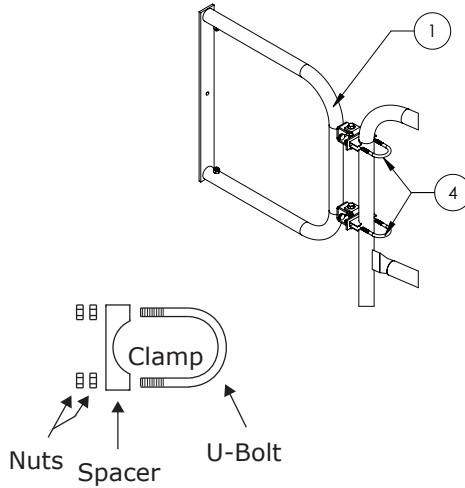
IMPORTANT: Base Plates are equipped with a Rubber Pad on the bottom to prevent slippage. If the Rubber Pad is missing or damaged, do not use the Base Plate. Contact your distributor for a new Rubber Pad.

2. Insert the leg of the Guardrail in the desired receptacle on the Base Plate and tighten the Set Screw with a 1/4" Allen wrench.
3. Where required, secure 2" x 4" (38 mm x 89 mm) Toe Board to the Base Plate with nails through the holes provided on the Base Plate



WARNING: Do not lean on Guardrails or use Guardrails for hoisting or tie off. Excess lateral force applied to the top of the guardrail may cause tipping, resulting in injury or death.

Figure 4A - Swing Gate Assembly



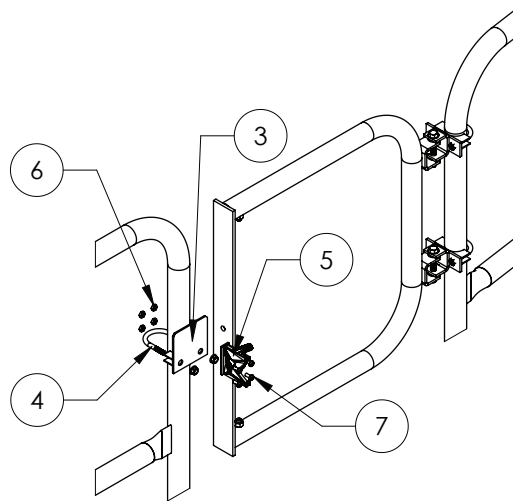
1. Attach the U-bolts (item 4) to the Guardrail section and Outside Gate section (item 1).

Note: The top of the swing gate should be level with the top of the guardrail.

2. Using an 11/16" wrench, install the U-bolts and then install the plastic spacers followed by the two nuts.

Do not over tighten the connections.

Figure 4B - Swing Gate Assembly

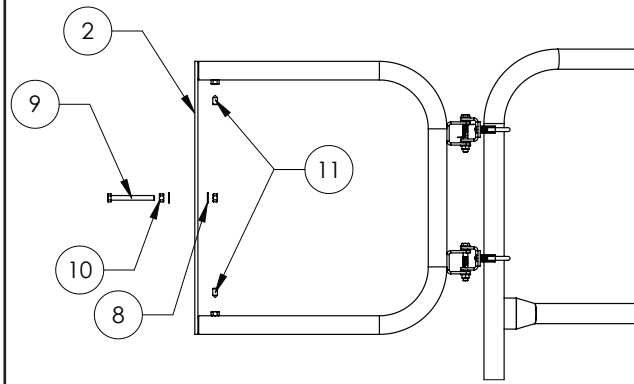


3. Attach the Gate Latch (item 5) to the Latch Plate (item 3) using the #12 screws and nuts (item 6 and 7).

4. Attach the Latch Plate assembly to the opposite Guardrail section using a U-bolt (item 4).

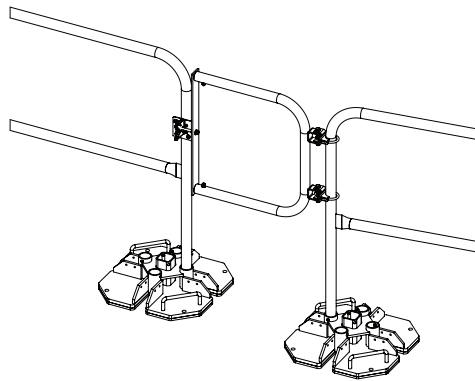
5. Hand tighten the U-bolt.

Figure 4C - Swing Gate Assembly



- | | |
|----|-------------------------------------------------------------------------------------------------------------------------------------------------------------------------------------------------------------|
| 6. | Using a washer and nut on each side of the Gate section and with the bolt head facing the Gate Latch, install the 3/8"-16 x 3 1/2" bolt (item 9) onto the inside Gate section (item 2) with a 9/16" wrench. |
| 7. | Slide the Gate section to the appropriate length and tighten the set screws (item 11) with a 1/4" Allen wrench. |

Figure 4D - Swing Gate Assembly



- | | |
|----|--------------------------------------------------------------------------------------------------------------------------------------------|
| 8. | For the bolt to securely actuate the Gate Latch, adjust the Latch Plate U-bolt (3/8"-16 x 3 1/2") and/or inside Gate section as necessary. |
| 9. | To prevent sliding, tighten the Striker Plate U-bolt with an 11/16" wrench. |

Figure 5 - Roof Hatch System

Refer to the Guardrail Installation (Figure 3) in order to install the Roof Hatch System.

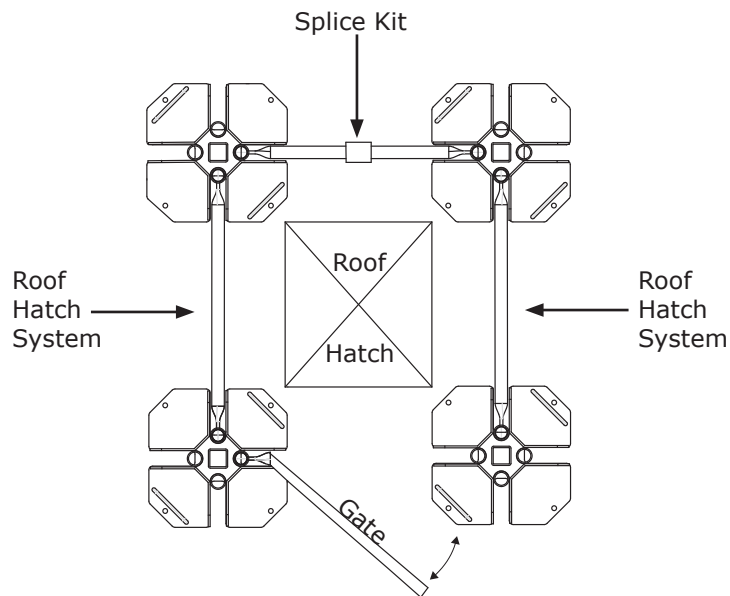
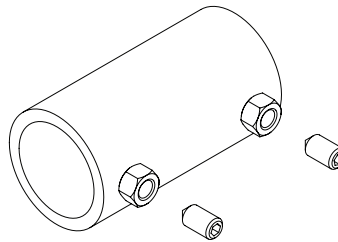


Figure 6 - Splice Kit Installation



Note: The Splice Kits are used when you need to shorten a Rail section to fit a certain length.

- | | |
|----|---------------------------------------------------------------------------------------------------------|
| 1. | Measure the length to be removed from the Rail section. |
| 2. | Mark the measured length on top of the mid rails. |
| 3. | Saw through the marked locations. |
| 4. | Insert both sections of Rail into both ends of the Splice Kit, so both ends are centered in the Splice. |
| 5. | With a 1/4" Allen wrench, tighten the set screws in order to clamp the spliced Rail in place. |

This page intentionally left blank.



A Capital Safety Company

CSG USA

3833 Sala Way
Red Wing, MN 55066-5005
Toll Free: 800.328.6146
Phone: 651.388.8282
Fax: 651.388.5065
solutions@capitalsafety.com

CSG Canada Ltd.

260 Export Boulevard
Mississauga, Ontario L5S 1Y9
Canada
Toll Free: 800.387.7484
Phone: 905.795.9333
Fax: 905.795.8777
sales.ca@capitalsafety.com

CSG Northern Europe Ltd.

7 Christleton Court • Stuart Rd.
Manor Park • Runcorn
Cheshire WA7 1ST • UK
Phone: +44 (0) 1928 571324
Fax: +44 (0) 1928 571325
csgne@csgne.co.uk

CSG EMEA (France)

Le Broc Center
Z.I. 1ère Avenue-5600 M
BP 15 • 06511 Carros Cedex
Phone: +33 (0)4 97 10 00 10
Fax: +33 (0)4 93 08 79 70
information@capitalsafety.com
Germany:
Phone: +49 (0) 2634 8052
Fax: +49 (0) 2634 8055

CSG Asia Pte Ltd.

No. 6, Tuas Avenue 18
Singapore 638892
Phone: +65 6558 7758
Fax: +65 6558 7058
inquiry@capitalsafety.com

CSG (Aust) Pty Ltd.

20 Fariola Street • Sliverwater
Sydney, NSW 2128
Australia
Phone: +61 (2) 9748 0335
Fax: +61 (2) 9748 0336
sales@capitalsafety.com.au

www.capitalsafety.com



Certificate No. FM 39709